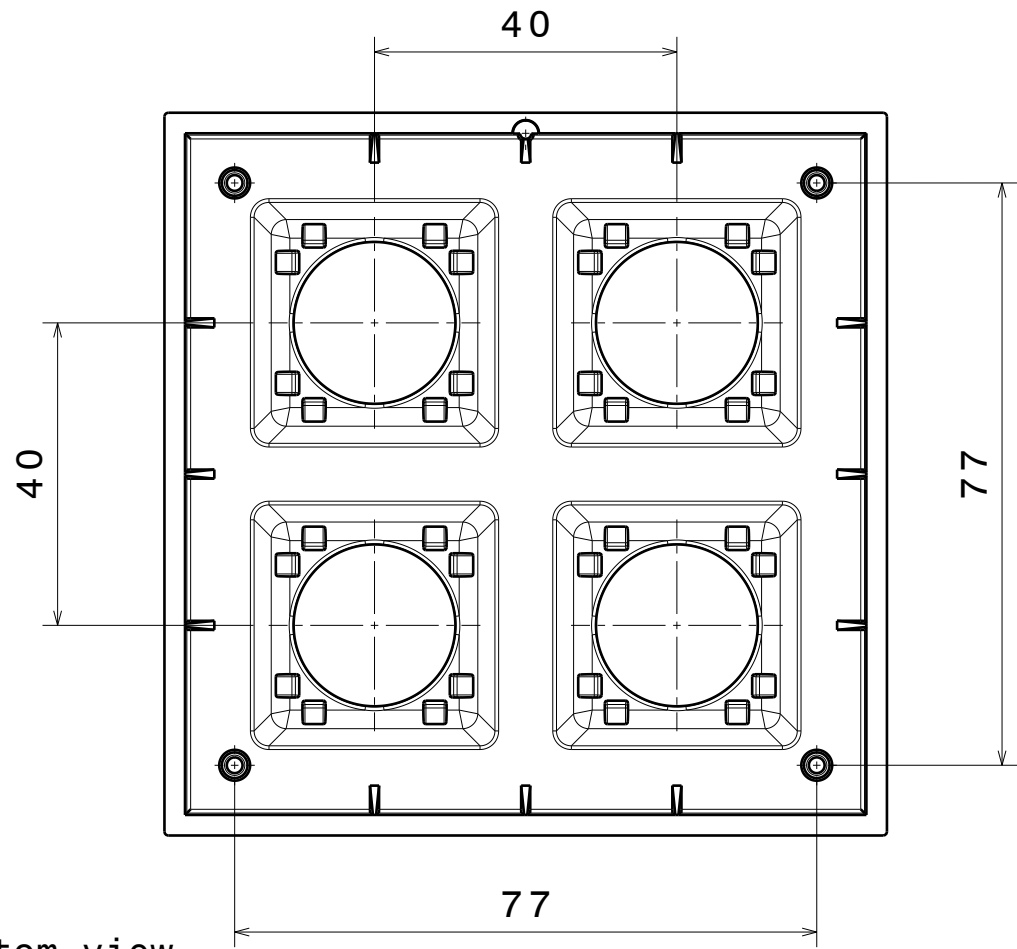
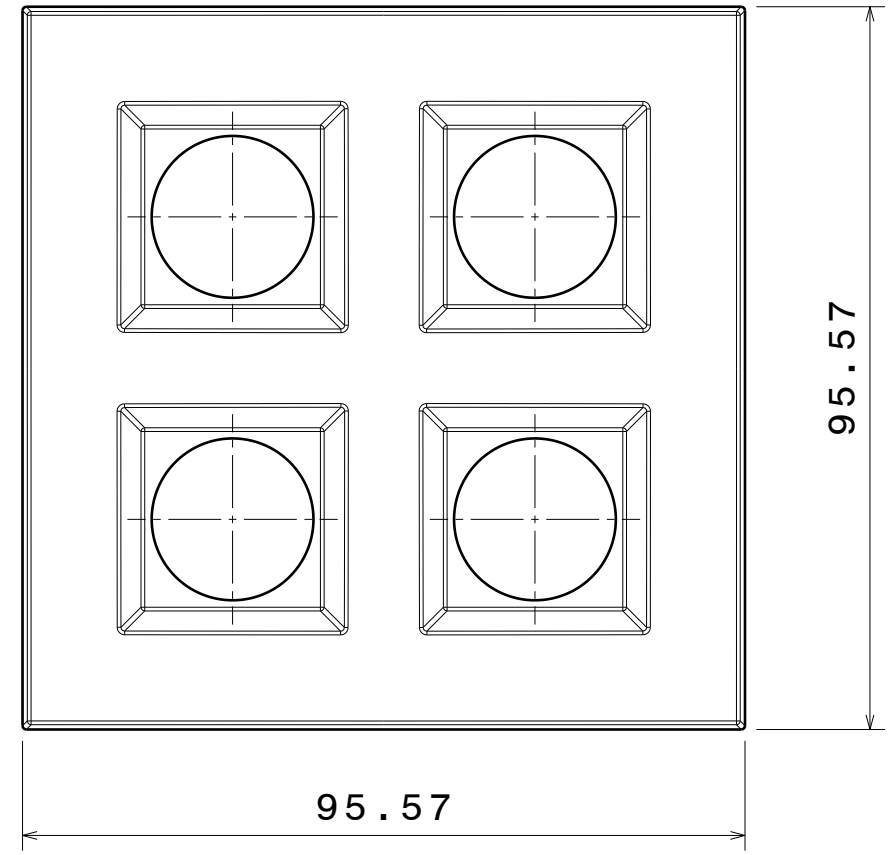


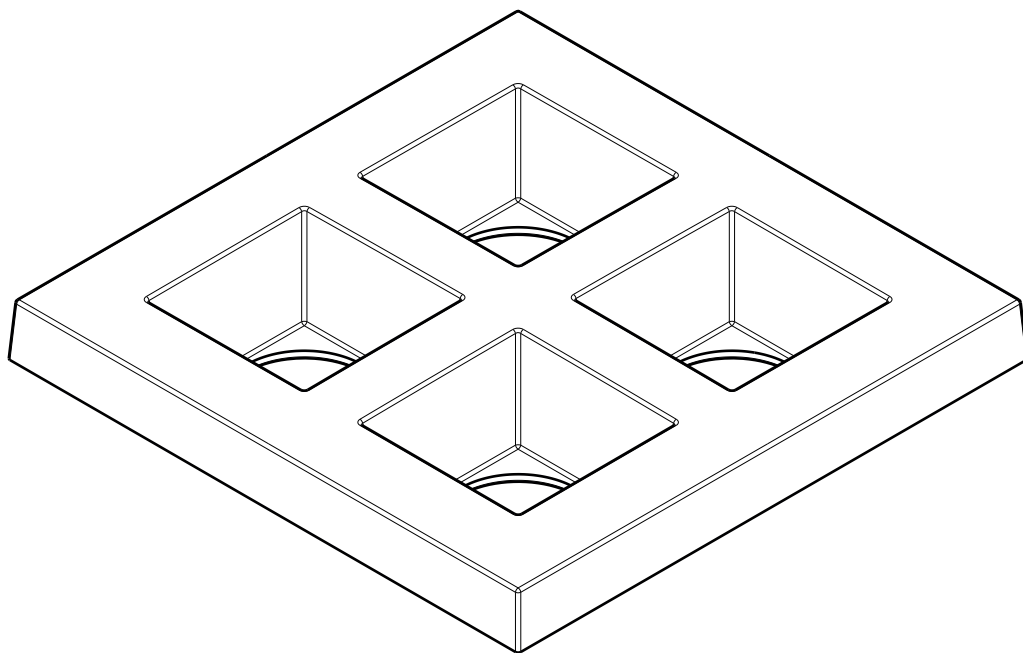
H G F E D C B A



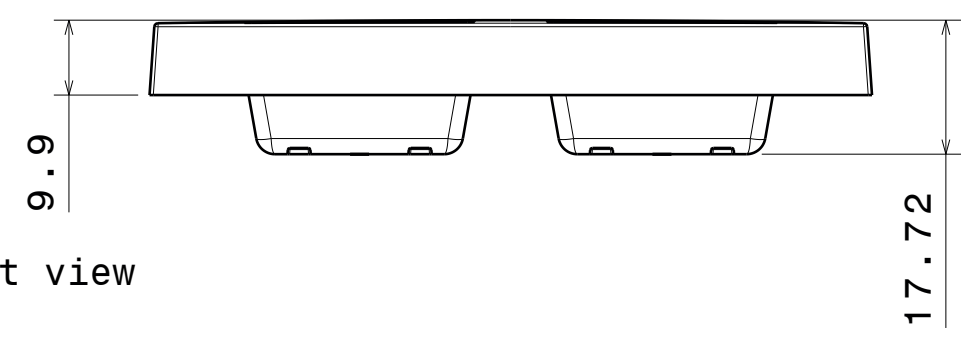
Bottom view



Top view



Isometric view



Front view

INDEX	PART NO	DESCRIPTION	MATERIAL	COLOUR
1	C14734	FLORENTINA-2X2-SHD	PC	black

Plastic moulding general tolerances according to DIN 16901-130 and applies if not otherwise shown in the drawing.
Silicone moulding general tolerances according to ISO 3302-1 Class M3 and applies if not otherwise shown in the drawing.

LEDiL LediL Oy
Salorankatu 10
FIN 24240 SALO
Finland

THIRD ANGLE PROJECTION:

DRAWING TITLE
C14734_FLORENTINA-2X2-SHD

This drawing is the property of LEDiL Oy. It may not be reproduced, copied or communicated without a written agreement with LEDiL Oy.

SIZE	PART NUMBER
A3	C14734

SCALE	1:1	WEIGHT	35,98 g	SHEET	1/1
-------	-----	--------	---------	-------	-----

H G B A