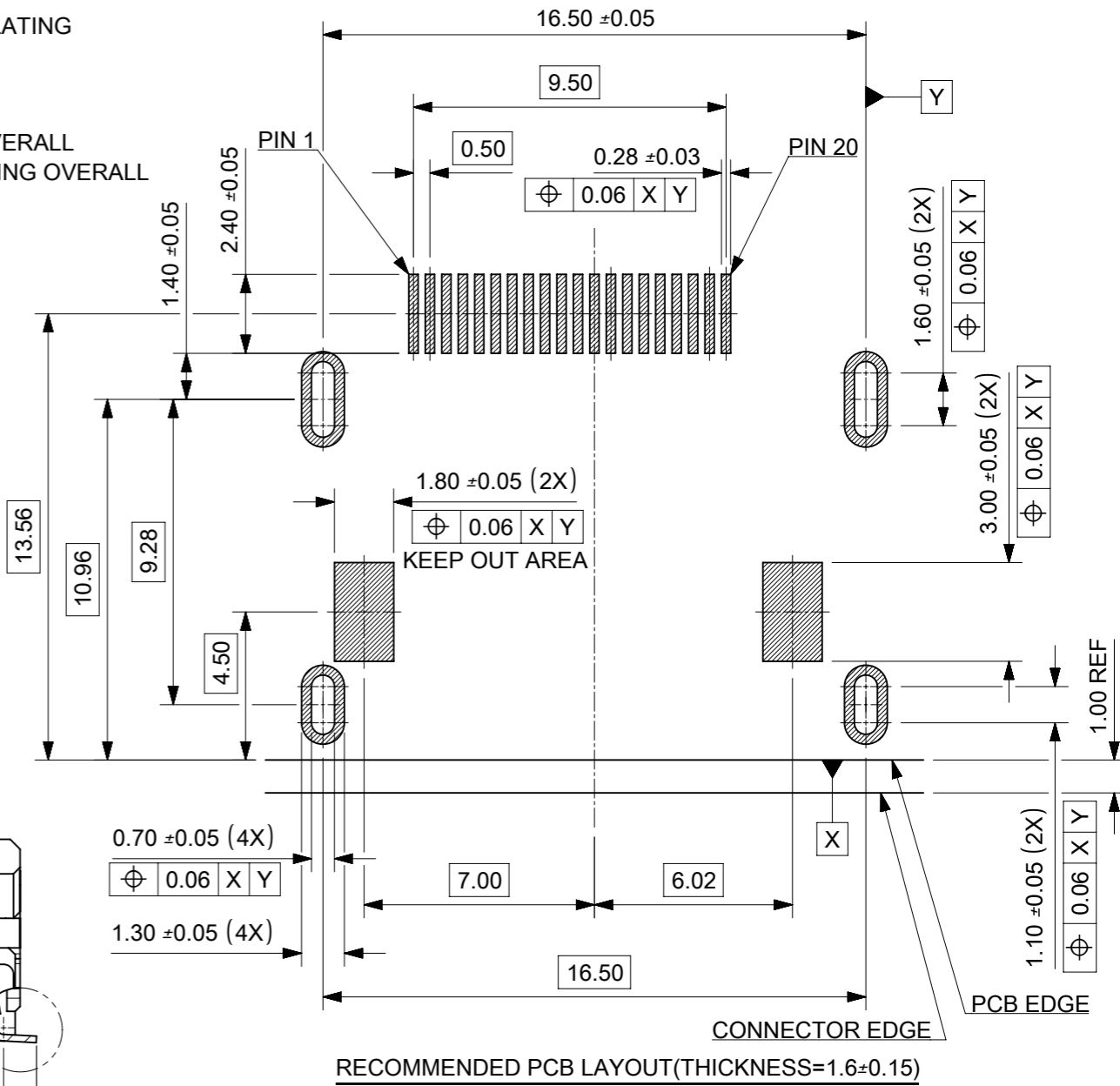
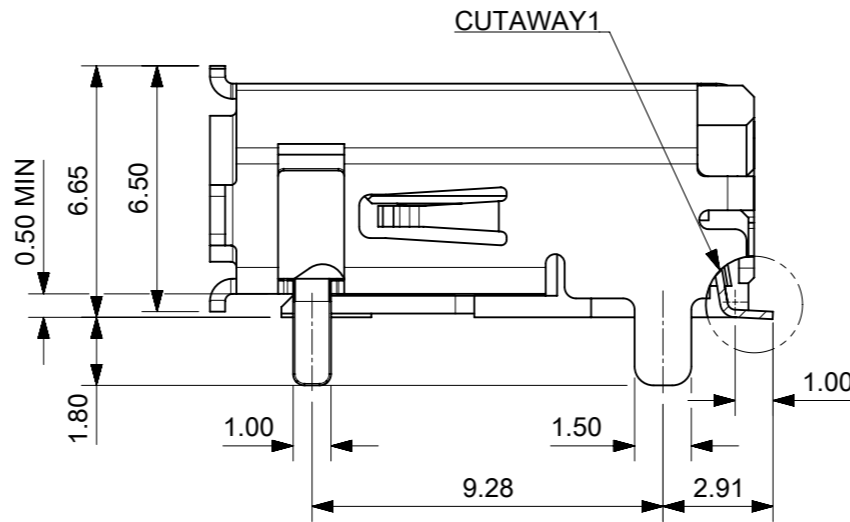
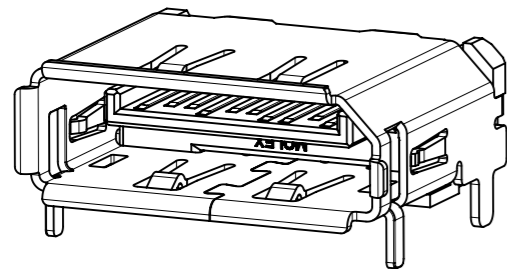
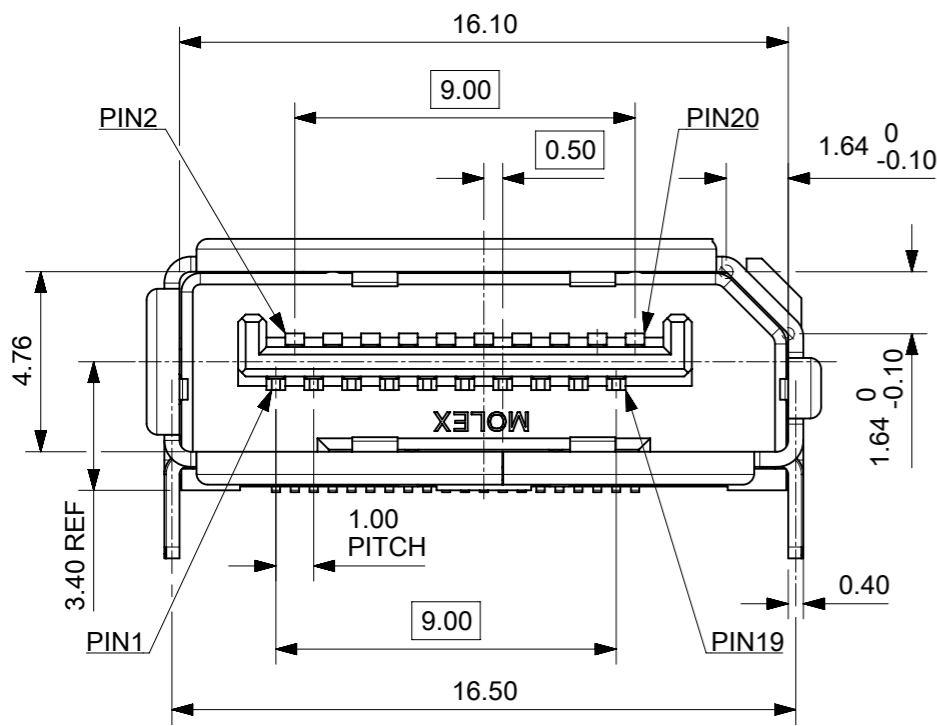
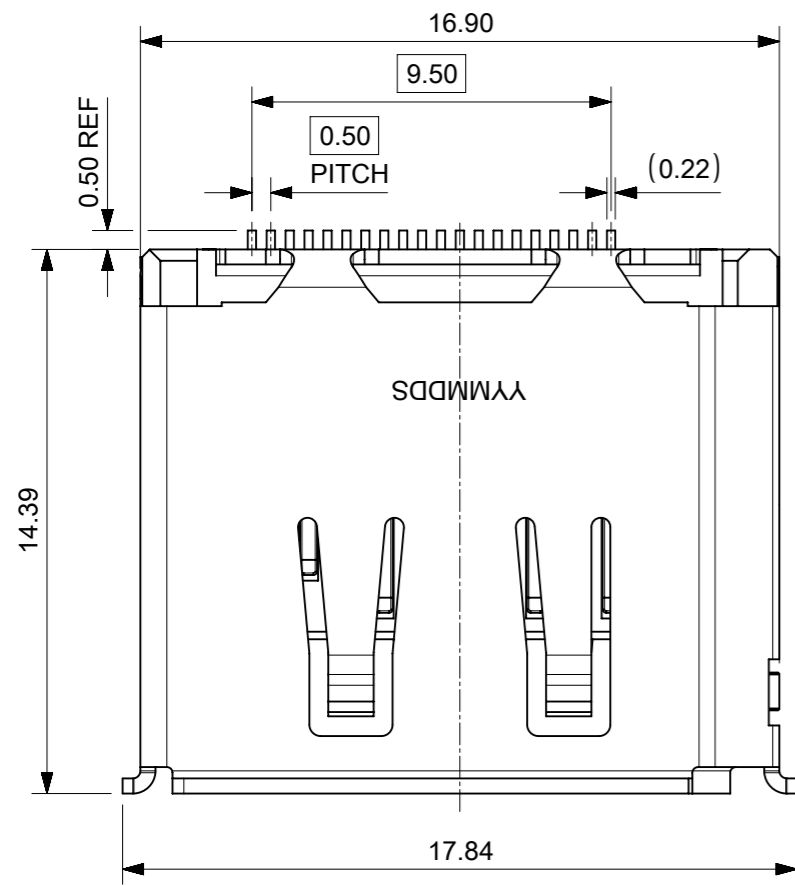
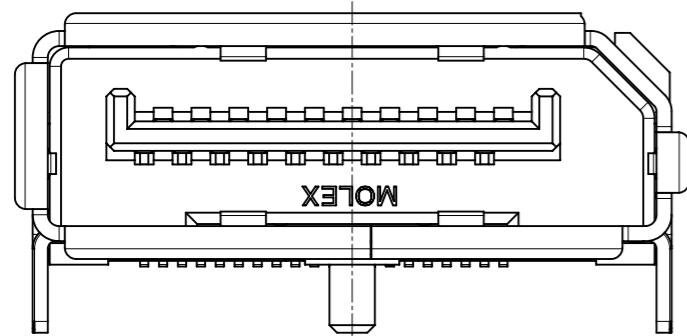
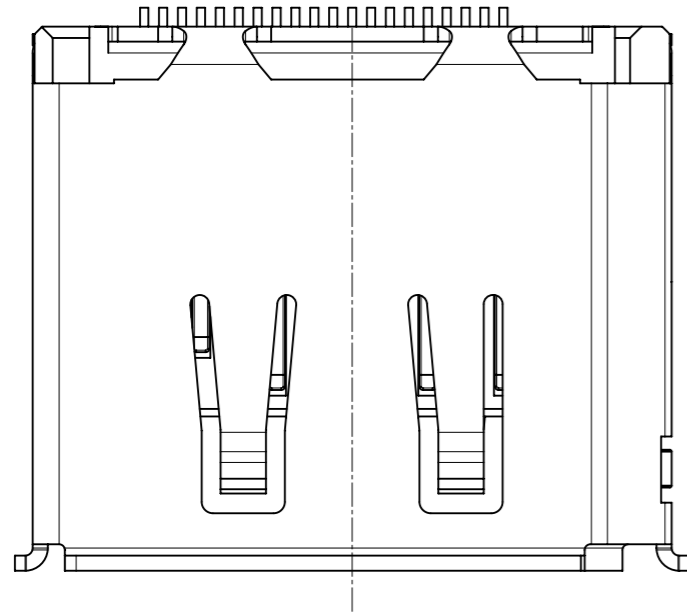


NOTES:
 1.MATERIAL:
 HOUSING:HIGH TEMPERATURE THERMAL PLASTIC,BLACK,30 GLASS FILLED, UL94V-0.
 TERMINAL: COPPER ALLOY.
 SHELL: COPPER ALLOY.
 2.PLATING:
 TERMINAL:CONTACT AREA : (1) 0.76MICROMETER GOLD PLATING
 (2) GOLD FLASH PLATING
 AND SOLDER TAIL(a) 1~3MICROMETER MATT TIN PLATING
 (b)GOLD FLASH PLATING
 UNDER PLATING: 1 MICROMETER MIN. NICKEL PLATING OVERALL
 SHELL:1.27~2.54 MICROMETER SOLDERABLE NICKEL PLATING OVERALL
 3. SOLDER TAIL COPLANARITY 0.10MAX.
 4. PRODUCT SPECIFICATION REFER TO PS-47272-001
 5. PACKAGE SPECIFICATION REFER TO PK-105019-001

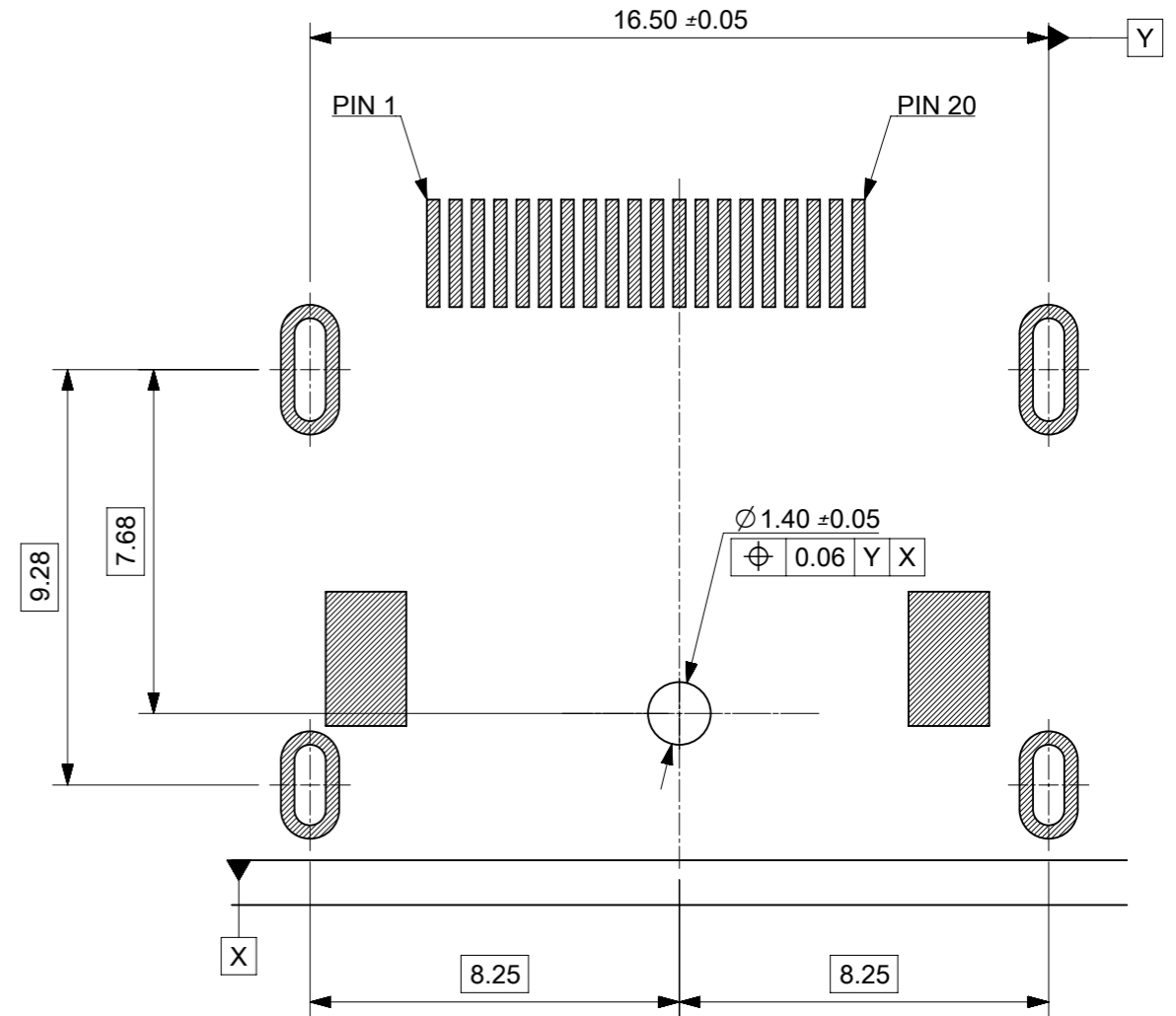
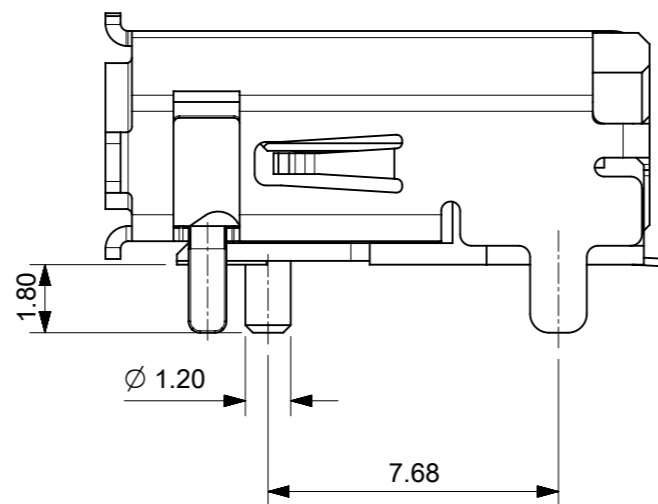


THIS DRAWING CONTAINS INFORMATION THAT IS PROPRIETARY TO MOLEX ELECTRONIC TECHNOLOGIES, LLC AND SHOULD NOT BE USED WITHOUT WRITTEN PERMISSION									
DIMENSION UNITS		SCALE		CURRENT REV DESC:					
MM		5:1							
GENERAL TOLERANCES (UNLESS SPECIFIED)									
		MM		INCH					
4 PLACES		±		±		EC NO: 628958			
3 PLACES		±		±		DRWN: AKUMAR19 2018/10/22			
2 PLACES		± 0.25		±		CHK'D: GGA 2020/01/16			
1 PLACE		± 0.25		±		APPR: GGA 2020/01/16			
0 PLACES		±		±		INITIAL REVISION:			
ANGULAR TOL		± 2.0°		± 2.0°		DRWN: HHE 2007/05/12			
						APPR: JNCHEN 2007/05/12			
DRAFT WHERE APPLICABLE MUST REMAIN WITHIN DIMENSIONS				THIRD ANGLE PROJECTION		DRAWING		SERIES	
				A3-SIZE		105019		MATERIAL NUMBER	
				SEE TABLE		GENERAL MARKET		CUSTOMER	
								SHEET NUMBER	
								1 OF 2	

P/N	POST	PLATING ON CONTACT AREA	PLATING ON SOLDEING TAIL
105019-0001	WITHOUT	SEE NOTE 2(1)	SEE NOTE 2(a)
105019-0005	WITHOUT	SEE NOTE 2(2)	SEE NOTE 2(a)
105019-0006	WITH	SEE NOTE 2(2)	SEE NOTE 2(a)
105019-0007	WITHOUT	SEE NOTE 2(1)	SEE NOTE 2(b)
105019-0008	WITHOUT	SEE NOTE 2(2)	SEE NOTE 2(b)



WITH POST



NOTES:
1. UNSPECIFIED DIMENSION ARE SAME AS SHEET1

THIS DRAWING CONTAINS INFORMATION THAT IS PROPRIETARY TO MOLEX ELECTRONIC TECHNOLOGIES, LLC AND SHOULD NOT BE USED WITHOUT WRITTEN PERMISSION											
DIMENSION UNITS		SCALE		CURRENT REV DESC:						molex	
MM		5:1									
GENERAL TOLERANCES (UNLESS SPECIFIED)				EC NO: 628958		DRWN: AKUMAR19		2018/10/22		1.0MM PITCH DISPLAY PORT	
4 PLACES ±				CHK'D: GGA		2020/01/16		REVERSE TYPE R/A RECEPTACLE			
3 PLACES ±				APPR: GGA		2020/01/16		PRODUCT CUSTOMER DRAWING			
2 PLACES ± 0.25				INITIAL REVISION:		DRWN: HHE		2007/05/12		DOCUMENT NUMBER	
1 PLACE ± 0.25				APPR: JNCHEN		2007/05/12		SD-105019-001		DOC TYPE DOC PART REVISION	
0 PLACES ±				ANGULAR TOL ± 2.0°		MATERIAL NUMBER		SEE TABLE		PSD 001 E	
DRAFT WHERE APPLICABLE MUST REMAIN WITHIN DIMENSIONS				THIRD ANGLE PROJECTION		DRAWING		SERIES		CUSTOMER	
				A3-SIZE		105019		GENERAL MARKET		SHEET NUMBER	
								2 OF 2			