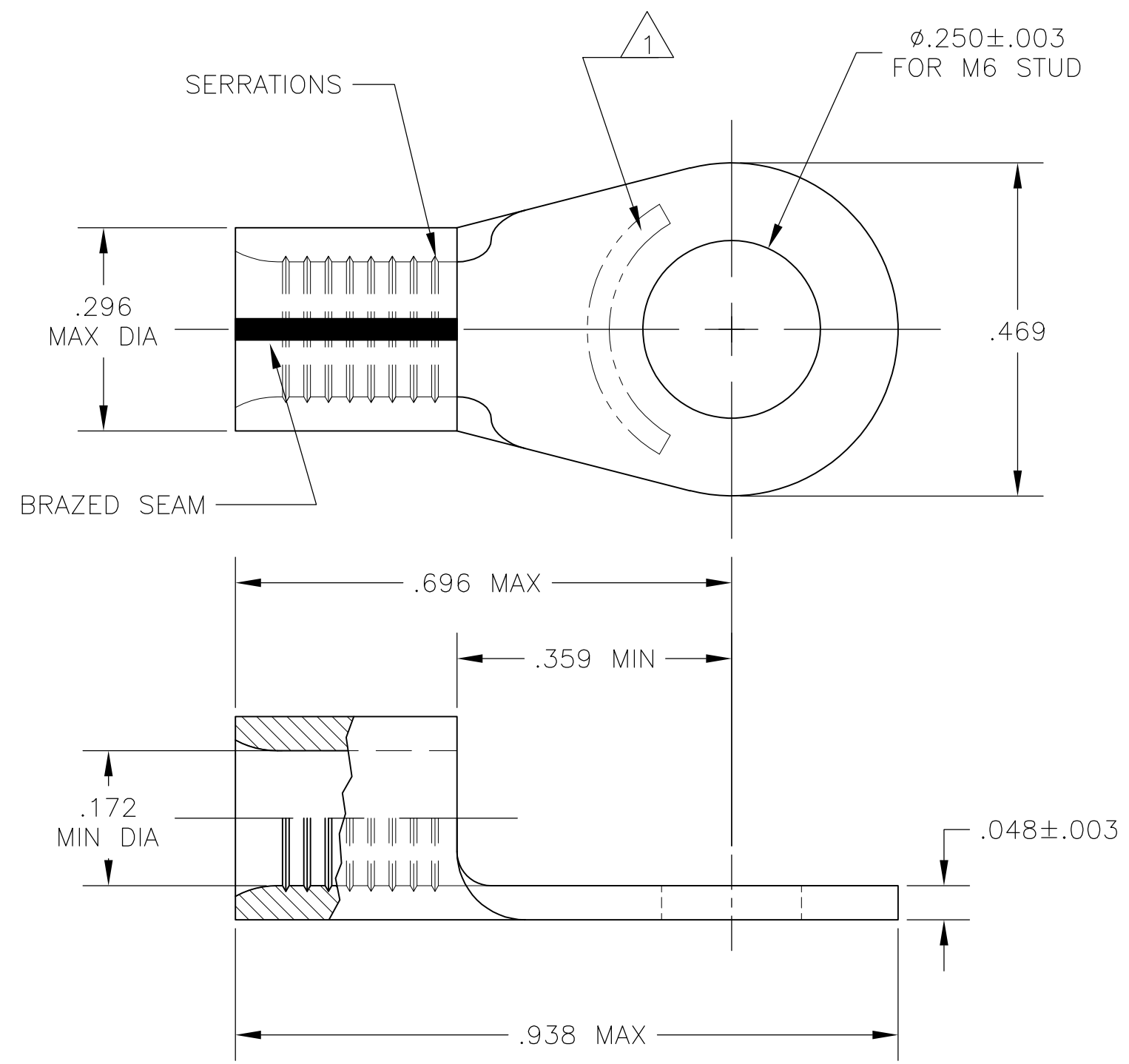


THIS DRAWING IS UNPUBLISHED. RELEASED FOR PUBLICATION
 © COPYRIGHT - By - ALL RIGHTS RESERVED.

LOC	DIST	REVISIONS					
		P	LTR	DESCRIPTION	DATE	DWN	APVD
G	14		A4	REVISED PER ECO-14-017801	26NOV2014	NK	DR



- 1 STAMP AMP 8, APPROX AS SHOWN.
- 2 MAX RECOMMENDED OPERATING TEMP. IS 170°C MAX
- 3 VOLTAGE RATING IS NOT APPLICABLE.
- 4 WIRE CROSS SECTIONAL AREA RANGE: 13,100-20,800 CMA / 6.64-10.5mm²
- 5 COPPER PER ASTM B-152, ANNEALED.
- 6 .000100 MIN TIN PLATE PER ASTM B-545.

6	130550
FINISH	PART NO

THIS DRAWING IS A CONTROLLED DOCUMENT.		DWN	JR RUTH	13FEB06	STE TE Connectivity			
DIMENSIONS: INCHES		CHK	T MICHIELUTTI	13FEB06				
TOLERANCES UNLESS OTHERWISE SPECIFIED:		APVD	T MICHIELUTTI	13FEB06	NAME			
0 PLC ± -		PRODUCT SPEC			TERMINAL, RING TONGUE, SOLISTRAND, WIRE SIZE: #8			
1 PLC ± -		APPLICATION SPEC			SIZE	CAGE CODE	DRAWING NO	RESTRICTED TO
2 PLC ± -		WEIGHT			A3	00779	C-130550	-
3 PLC ± .008		CUSTOMER DRAWING			SCALE	SHEET	REV	
4 PLC ± -					5:1	1 OF 1	A4	
ANGLES ± 5°								
MATERIAL	FINISH							
5	SEE TABLE							