

6

5

4

3

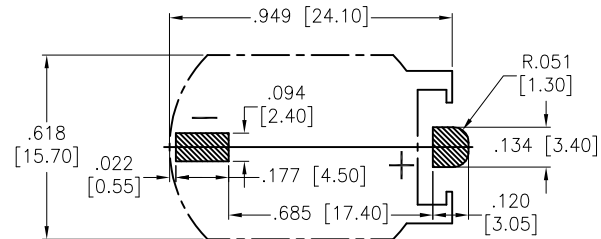
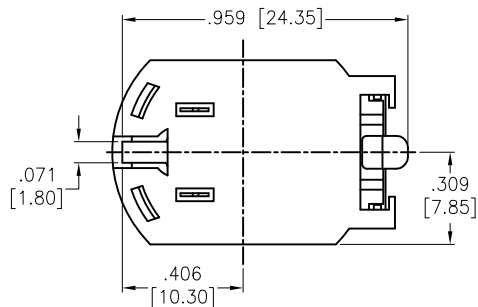
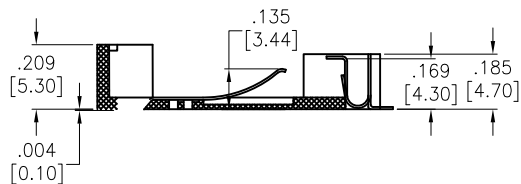
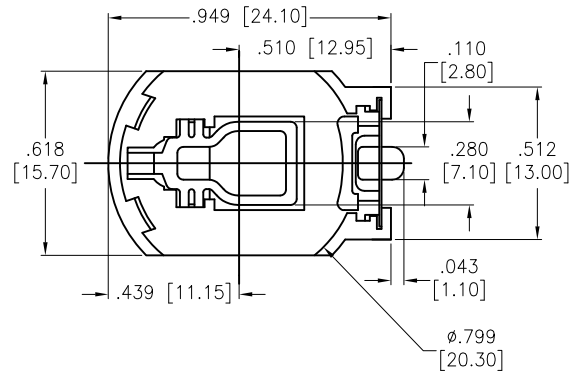
2

1

APPROVED: _____

DATE: _____ TITLE: _____

Rev	AWO #	Description	Date	Appr
-		RELEASED	8/11/16	



RECOMMENDED PCB LAYOUT

SPECIFICATIONS:

Material:
Housing: Hi-temp thermoplastic (PPA), rated UL94V-0, Color: Brown
Contact: Phosphor Bronze, Gold plated
Electrical:
Contact resistance: 30 mohms max
Insulation resistance: 1,000 Mohms min
Dielectric Voltage: 500 VAC one sec level
Temperature Rating:
Operating temperature: -25°C to +85°C.
Environmental:
Lead free, RoHS compliant



UNLESS OTHERWISE SPECIFIED ALL DIMENSIONS ARE INCHES [MM] TOLERANCES: EXCEPT AS NOTED		ADAM TECH 909 Rahway Avenue, Union, NJ 07083 Phone: 908-687-5000 Fax: 908-687-5710	
INCHES HOLES .X ± .10 Ø.X ± .10 .XX ± .020 Ø.XX ± .015 .XXX ± .015 Ø.XXX ± .010			
APPROVALS		DATE	
DRAWN	HR	8/11/16	
CHECKED	LW	8/11/16	
APPROVED			
TITLE		BATTERY HOLDER, SURFACE MOUNT, FOR CR2032, BROWN COLOR	
SIZE	PART NO.	REV.	
X	BH-74B-5	-	
REF:	S00136C	SCALE:	NTS
		SHEET 1 OF 1	

6

5

4

3

2

1