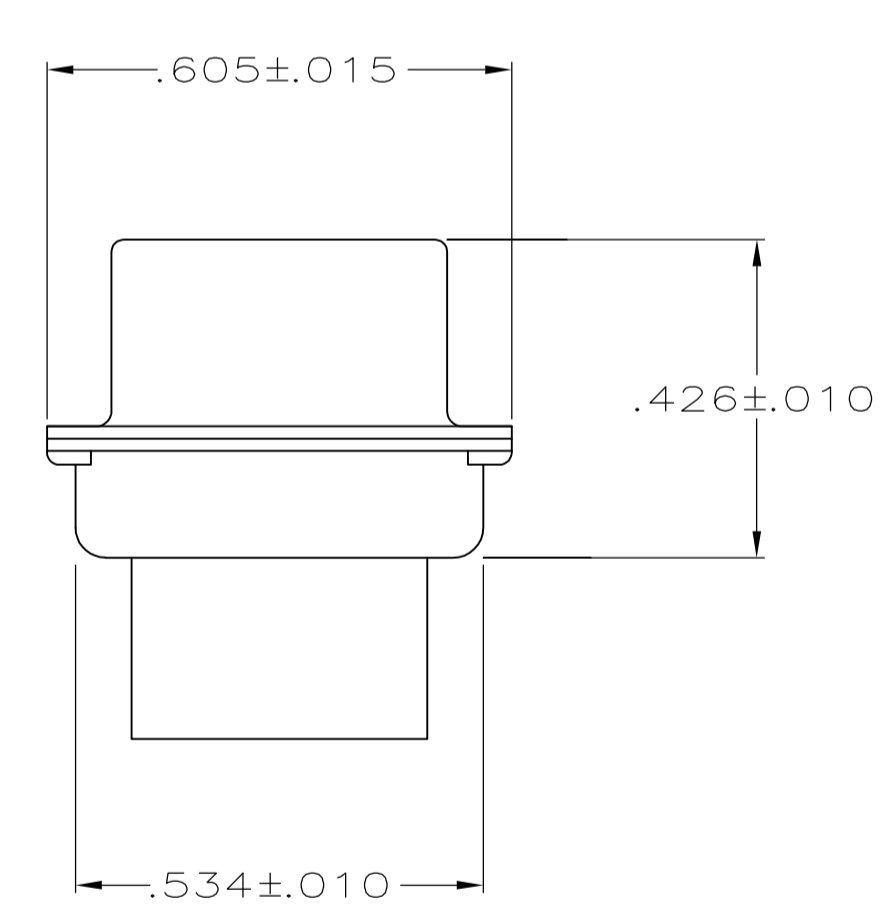
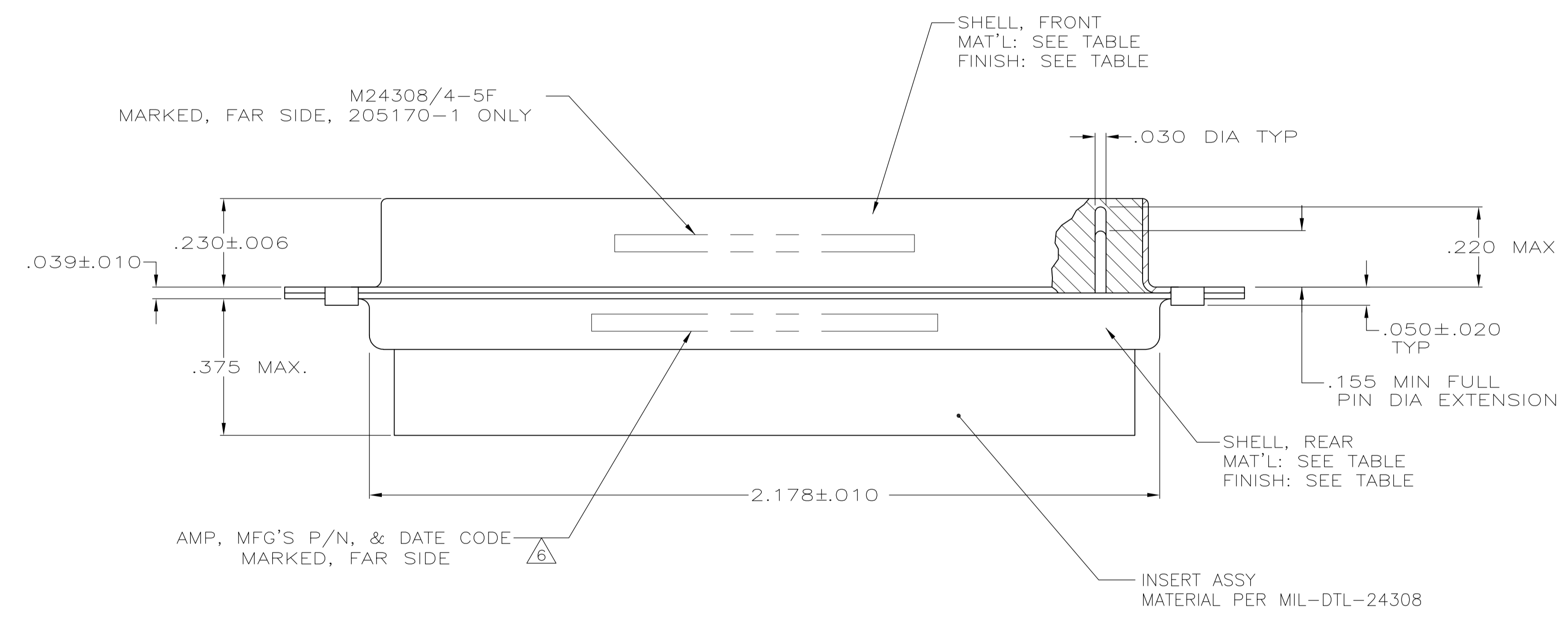
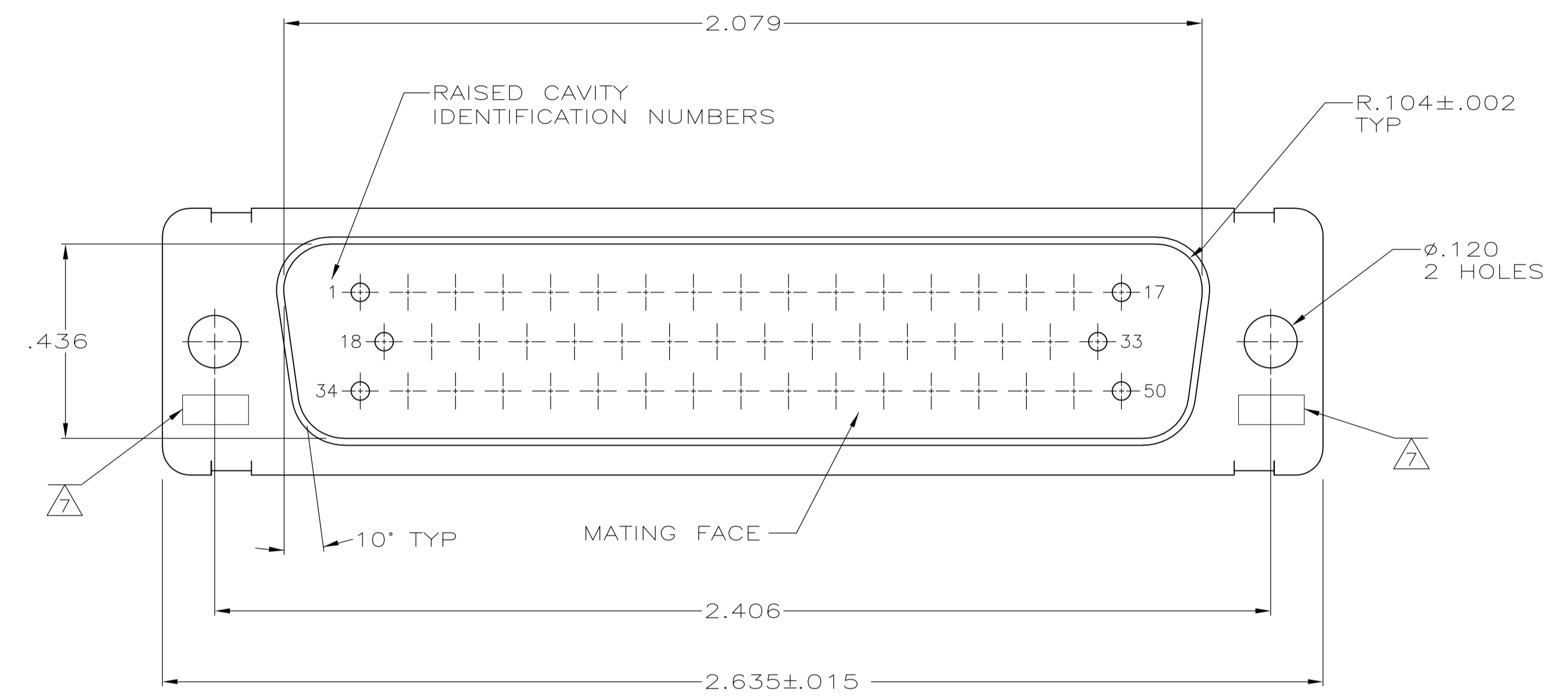


REVISONS		DATE	DWN	APVD
LOC	DIST	DESCRIPTION		
S		REV PER ECO-15-016062	10NOV15	KG CD

- THIS PLUG IS DESIGNED TO CONFORM TO THE LATEST ISSUE OF MIL-C-24308.
 - MAXIMUM WIRE INSULATION TO BE USED WITH THIS PLUG IS ϕ .068.
 - STAINLESS STEEL RETENTION CLIPS ARE INCLUDED IN INSERTS.
 - PACKAGE MARKED M 24308/4-263F.
 - THIS PLUG WILL ACCEPT SIZE 20 PIN CONTACT M39029/64-369 OR ANY TYCO ELECTRONICS HD-20 PIN CONTACT.
- \triangle 6 MFG,S PART NO. MARKED ON CONNECTOR REPRESENTS KIT NUMBER WITH CONTACTS.
 \triangle 7 UL/CSA DESIGNATION MARKED IN THIS AREA.
 \triangle 8 FINISH: BRIGHT TIN PER ASTM-B-545 .000400-.000550 THK OVER COPPER PER AMS2418 .000050 MIN THK.
 \triangle 9 FRONT SHELL HAS GROUNDING INDENTS, 205170-4 ONLY, (NOT SHOWN).



REMARKS	FINISH	SHELL MAT'L	PART NO.
OBSOLETE	-	\triangle 8	STEEL PER ASTM-A-109 205170-5
	\triangle 9	\triangle 8	STEEL PER ASTM-A-109 205170-4
SUPSD BY 206804-2	-	CADMIUM PER QQ-P-416	BRASS 205170-2
	\triangle 6	CADMIUM PER QQ-P-416	STEEL PER ASTM-A-109 205170-1

THIS DRAWING IS A CONTROLLED DOCUMENT.

DIMENSIONS: INCHES	TOLERANCES UNLESS OTHERWISE SPECIFIED:	DIN C.C.THOMAS 08-DEC-87	APVD F.C.BALLEW 10-DEC-87	NAME
0 PLC ± -	1 PLC ± -	2 PLC ± -	3 PLC ± .005	4 PLC ANGLES ± ± 0'30"
MATERIAL SEE CALLOUTS	FINISH SEE CALLOUTS	WEIGHT	SIZE A1	CAGE CODE 00779
CUSTOMER DRAWING		SCALE 4:1	SHEET 1 OF 1	REV S

STE TE Connectivity
 AMPLIMITE PLUG FOR PIN CONTACTS
 HI-DENSITY HD-20 CONNECTOR
 SIZE 5 (50 POSN) SERIES 109
 DRAWING NO. 205170