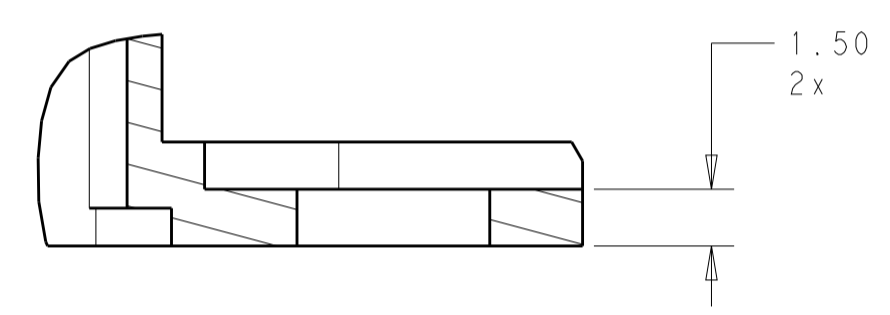
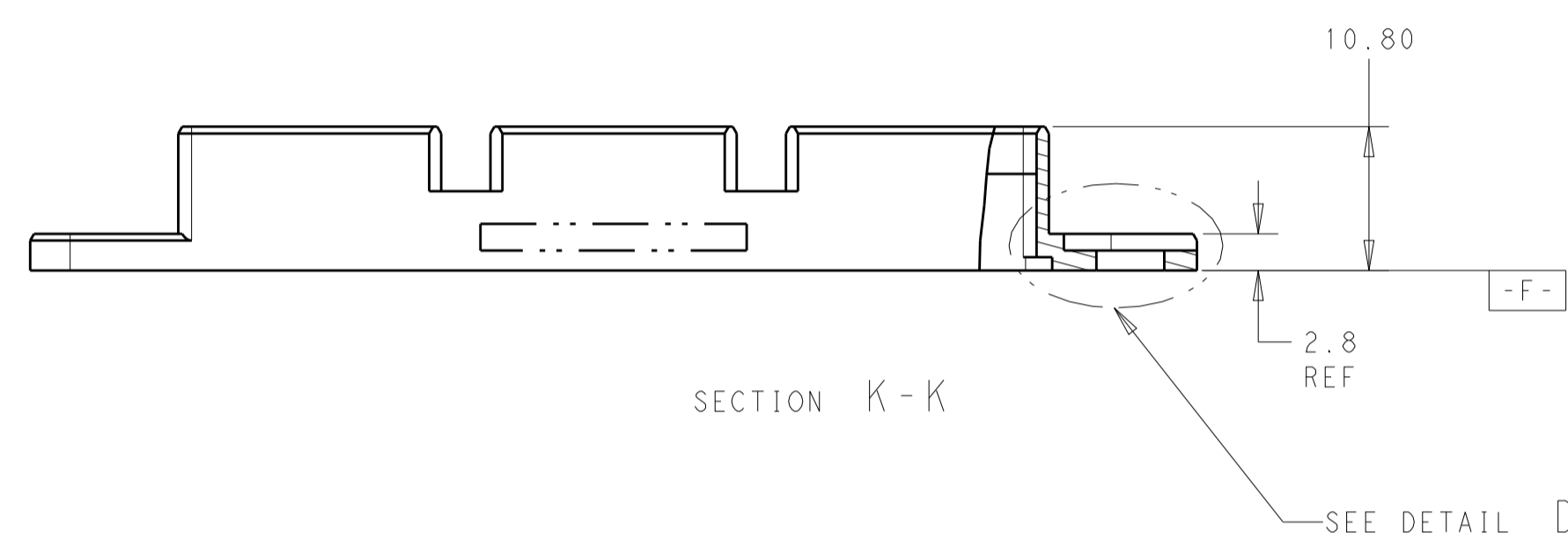
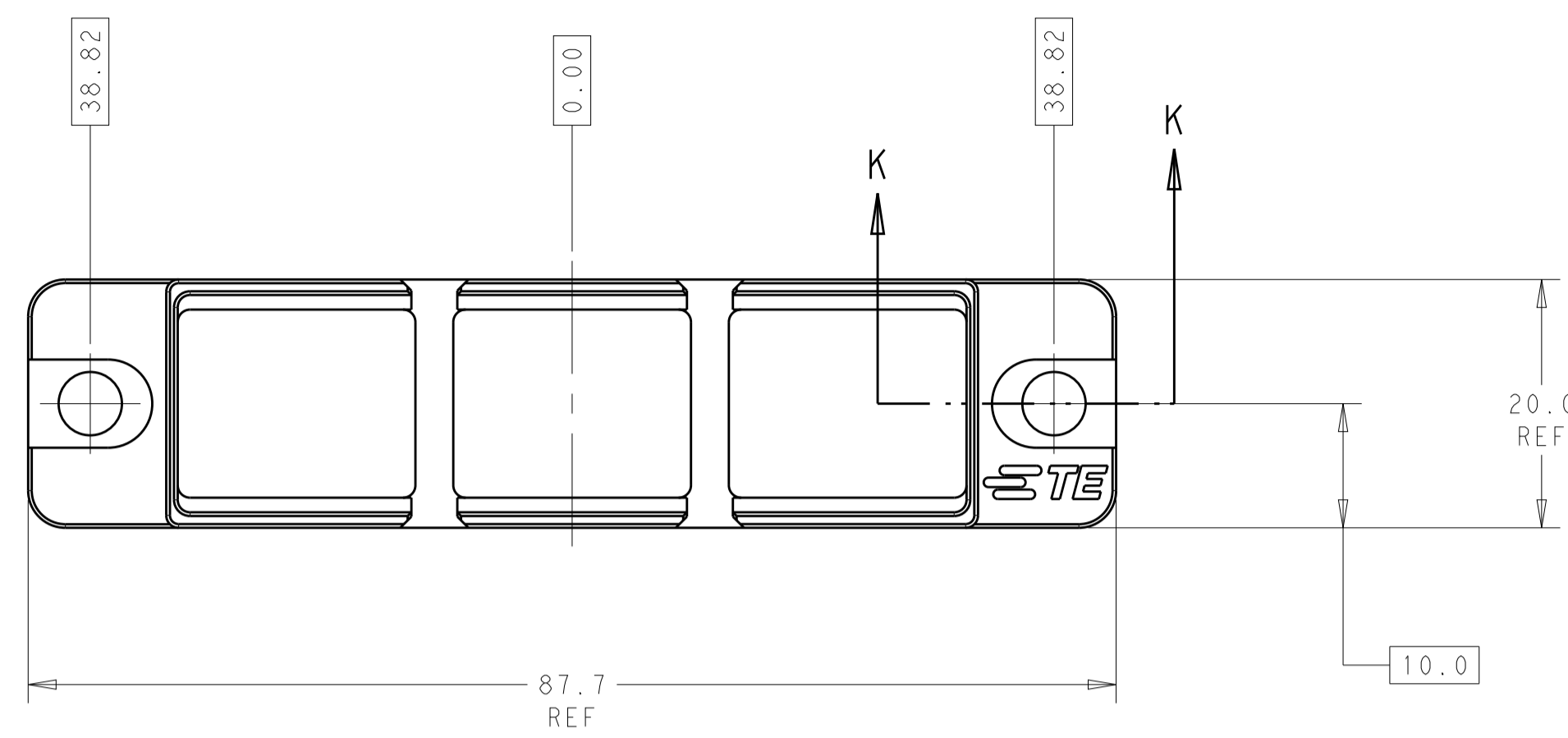
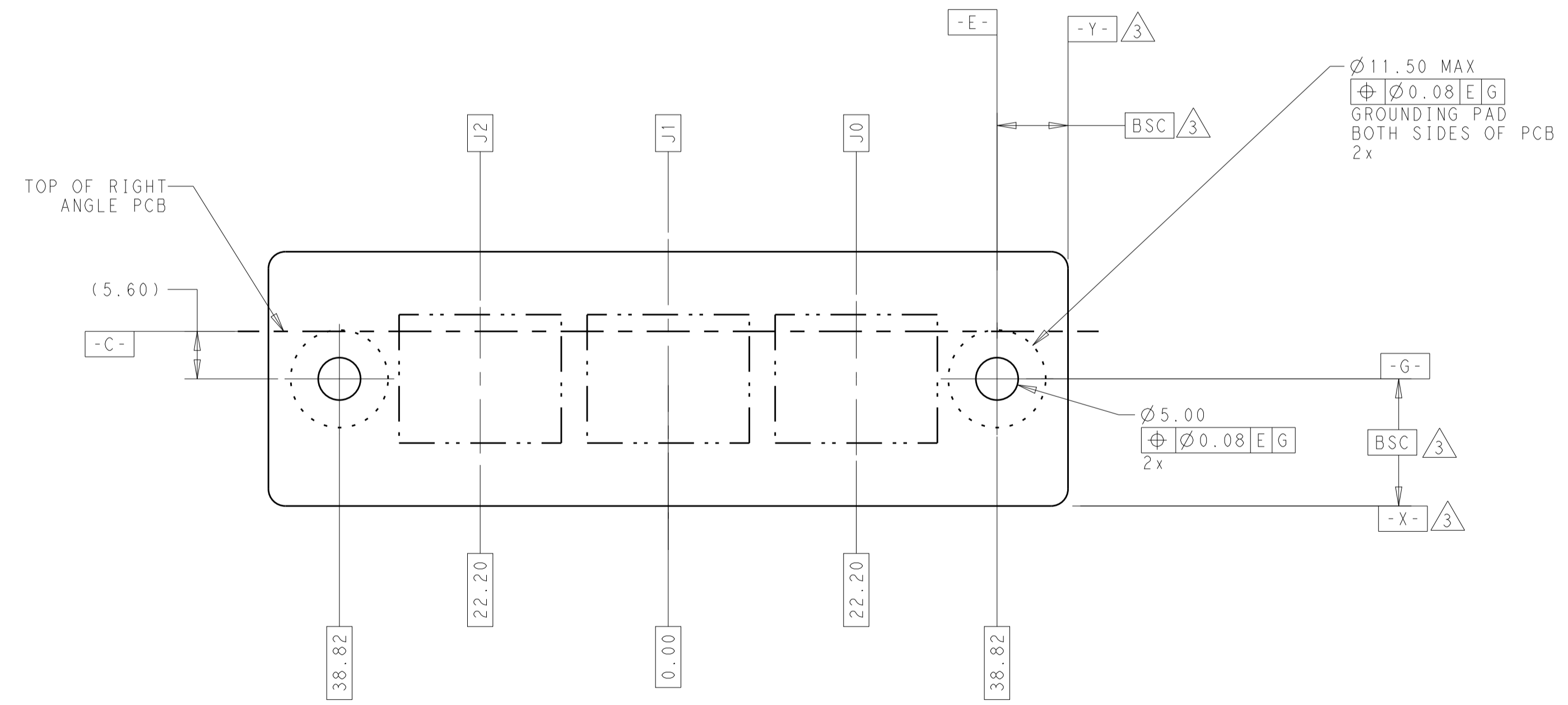


REVISIONS				
P.	LTN	DESCRIPTION	DATE	APP'D
A		RELEASED PER ECO 20-009589	7-8-20	CT RL



DETAIL D
SCALE 5:1

2226784-1 SHOWN



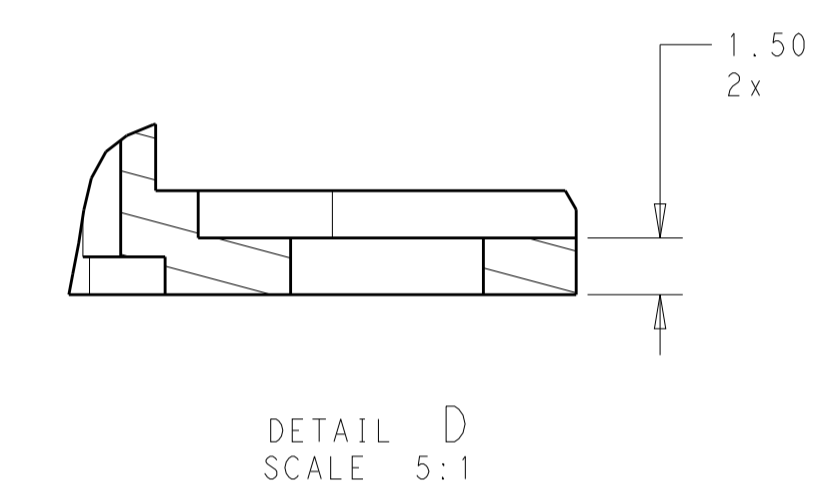
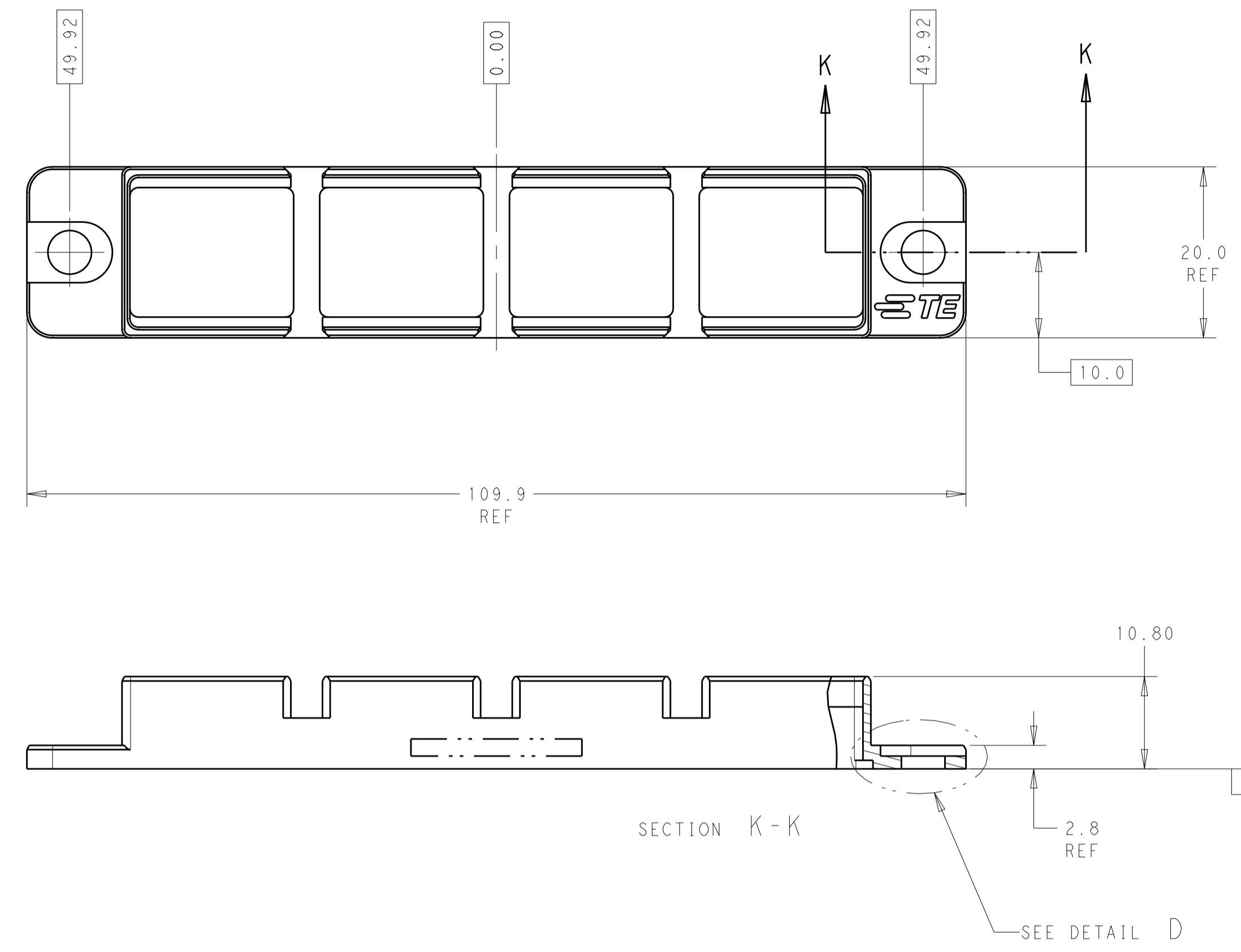
- 1 MATERIAL: ALUMINUM ALLOY
- 2 FINISH: TRIVALENT CHROMATE, 96 HOUR SALT SPRAY CAPABLE.
- 3 DATUMS AND BASIC DIMENSIONS ESTABLISHED BY CUSTOMER.

PCB INSERT LOCATIONS

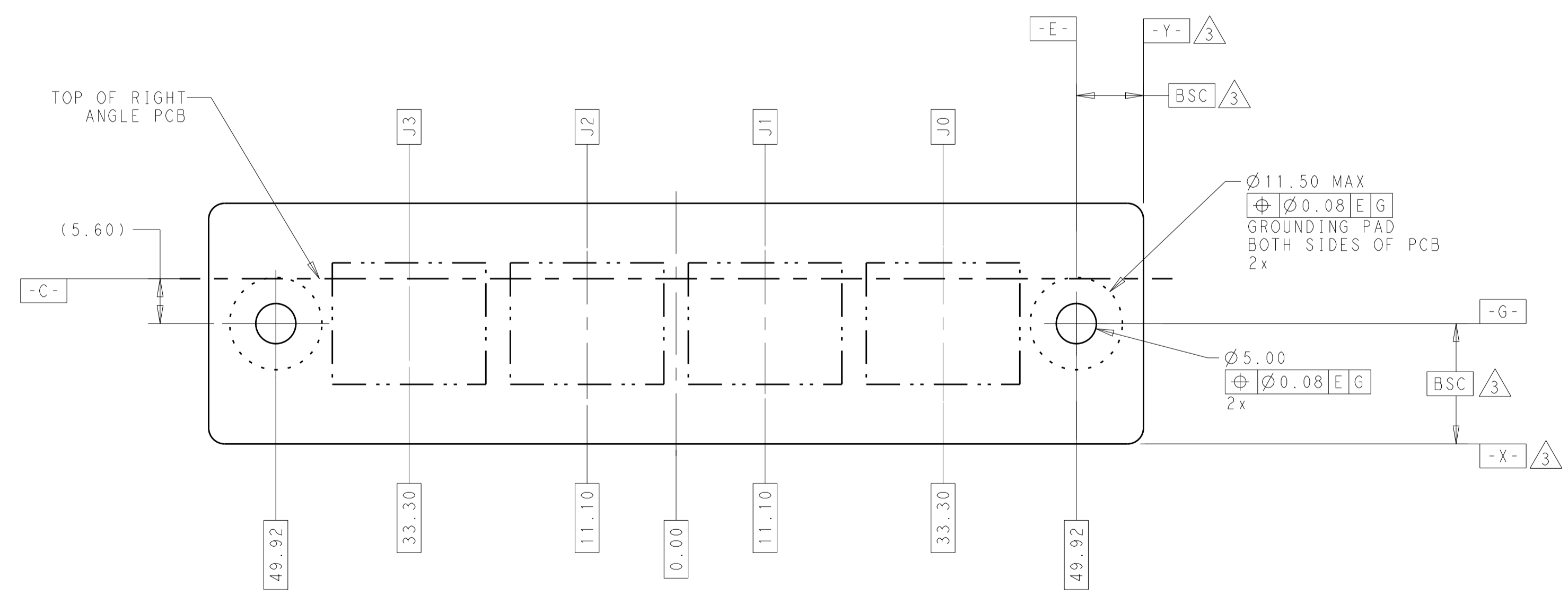
APPROX. WEIGHT g	SHELL TO PCB MOUNTING POINTS	# OF BAYS	PART NUMBER
31.1	4	8	2226784-5
29.3	3	8	2226784-4
34.2	4	9	2226784-3
15.1	2	4	2226784-2
12.0	2	3	2226784-1

THIS DRAWING IS A CONTROLLED DOCUMENT.		DWN D. BELACK 18NOV2013	TE TE Connectivity
DIMENSIONS: mm		CHK K. THACKSTON 18NOV2013	
TOLERANCES UNLESS OTHERWISE SPECIFIED:		APP'D M. McALONIS 18NOV2013	
0 PLC ±0.13 2 PLC ±0.08 3 PLC ±0.025 4 PLC ±0.025 ANGLES ±2°		NAME Fortis Zd LRM, BACKPLANE, VERTICAL, SHELL ASSEMBLY PRODUCT SPEC 108-2474 APPLICATION SPEC 408-10464 WEIGHT CUSTOMER DRAWING	
MATERIAL 1		FINISH 2	SIZE CAGE CODE DRAWING NO RESTRICTED TO A1 - C=2226784 SCALE 2:1 SHEET 1 OF 5 REV A

REVISIONS				
P.	LTN.	DESCRIPTION	DATE	APVD.
-	-	SEE SHEET 1	-	-



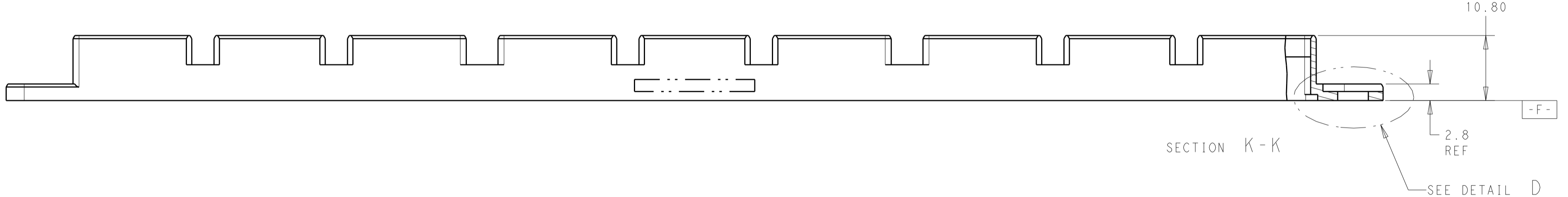
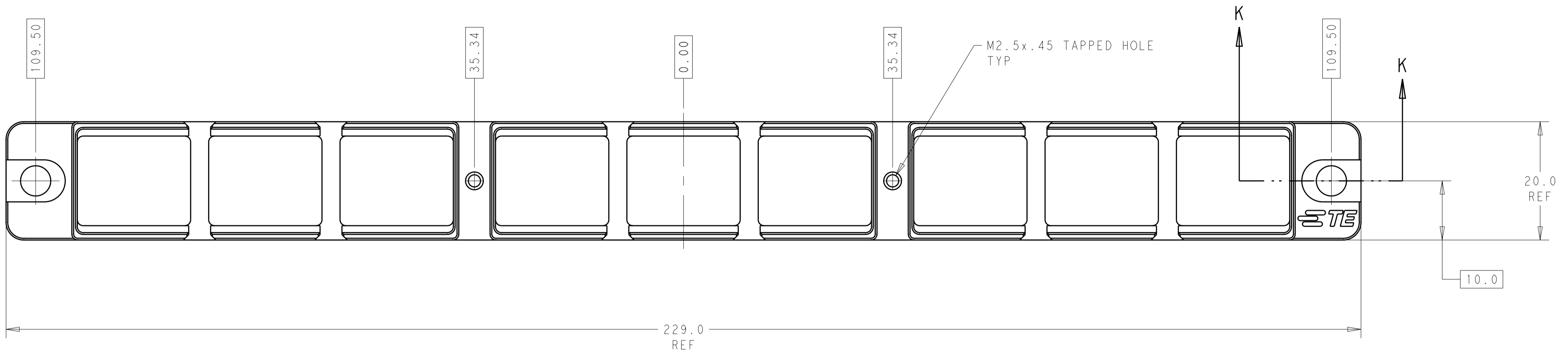
2226784-2 SHOWN



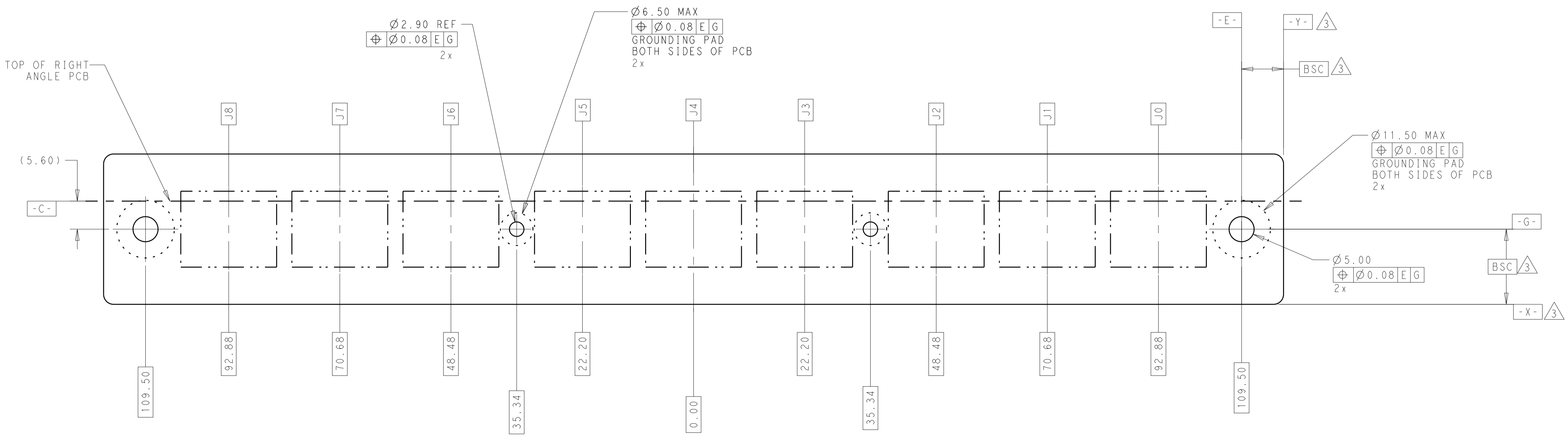
PCB INSERT LOCATIONS

THIS DRAWING IS A CONTROLLED DOCUMENT.		DWN: D. BELACK 18NOV2013	 TE Connectivity
DIMENSIONS: mm		CHK: K. THACKSTON	
TOLERANCES UNLESS OTHERWISE SPECIFIED: 0 PLC ±0.13 1 PLC ±0.08 2 PLC ±0.08 3 PLC ±0.025 4 PLC ±0.025 ANGLES ±2°		APVD: M. McALONIS	NAME: Fortis Zd LRM, BACKPLANE, VERTICAL, SHELL ASSEMBLY
MATERIAL: 1		FINISH: 2	PRODUCT SPEC: 108-2474
		APPLICATION SPEC: 408-10464	SIZE: A
		WEIGHT: -	CAGE CODE: -
		CUSTOMER DRAWING	DRAWING NO: C=2226784
		SCALE: 1:1	SHEET 2 OF 5
			REV: A

REVISIONS				
P.	LTN	DESCRIPTION	DATE	APP'D
-	-	SEE SHEET 1	-	-



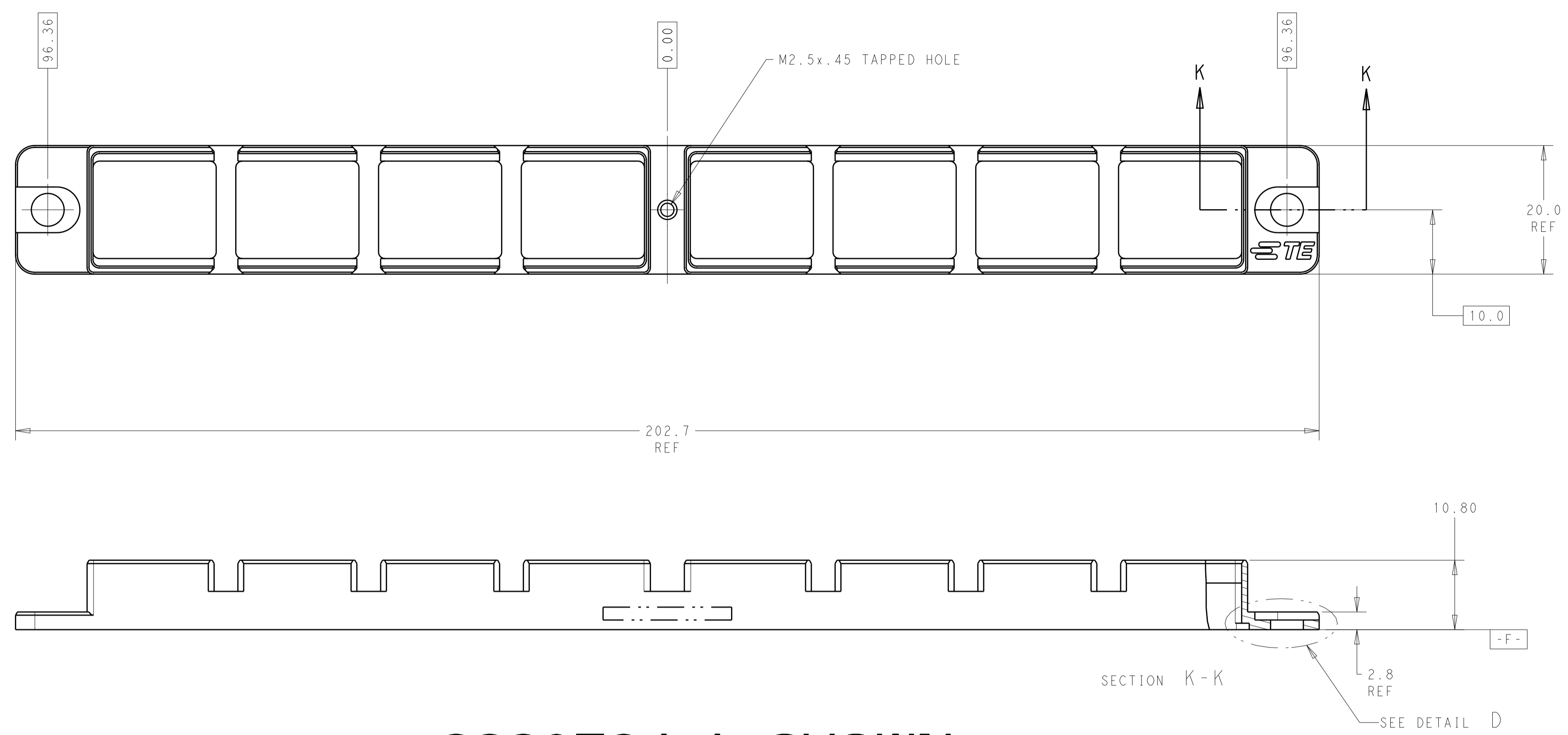
2226784-3 SHOWN



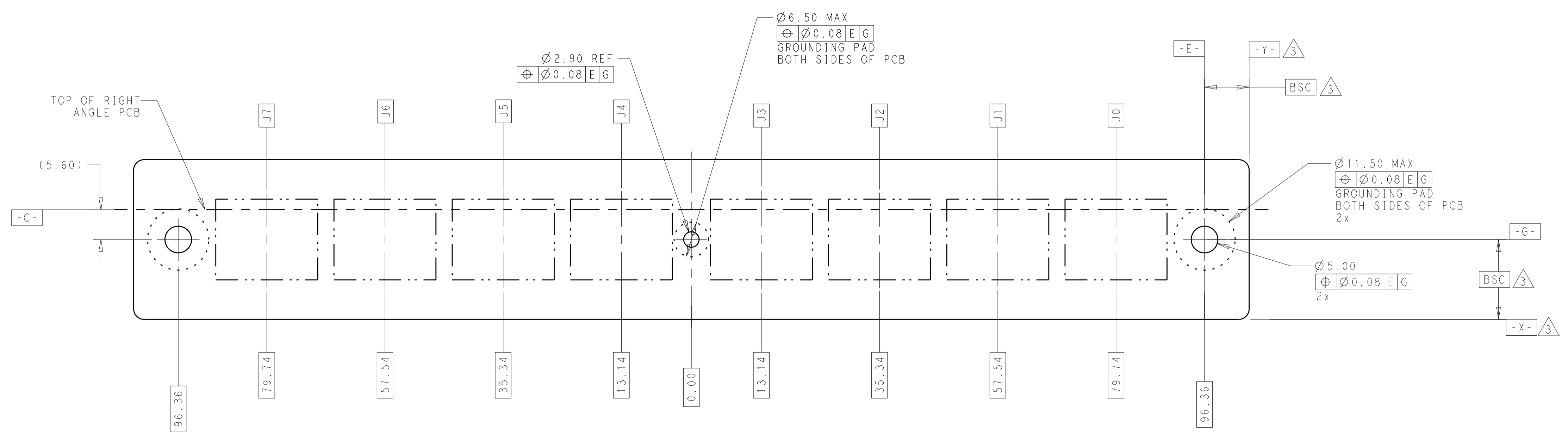
PCB INSERT LOCATIONS

THIS DRAWING IS A CONTROLLED DOCUMENT.		DWN: D. BELACK 18NOV2013	 TE Connectivity
DIMENSIONS: mm		CHK: K. THACKSTON	
TOLERANCES UNLESS OTHERWISE SPECIFIED:		APVD: M. McALONIS	NAME: Fortis Zd LRM, BACKPLANE, VERTICAL, SHELL ASSEMBLY
0 PLC ±0.13	1 PLC ±0.08	PRODUCT SPEC: 108-2474	APPLICATION SPEC: 408-10464
2 PLC ±0.08	3 PLC ±0.025	SIZE: A1	CAGE CODE: -
4 PLC ±0.025	ANGLES ±2°	WEIGHT: -	SCALE: 1:1
MATERIAL: 1	FINISH: 2	CUSTOMER DRAWING	SHEET 3 OF 5
REV A			RESTRICTED TO

REVISIONS				
P.	LTN	DESCRIPTION	DATE	APP'D
-	-	SEE SHEET 1	-	-



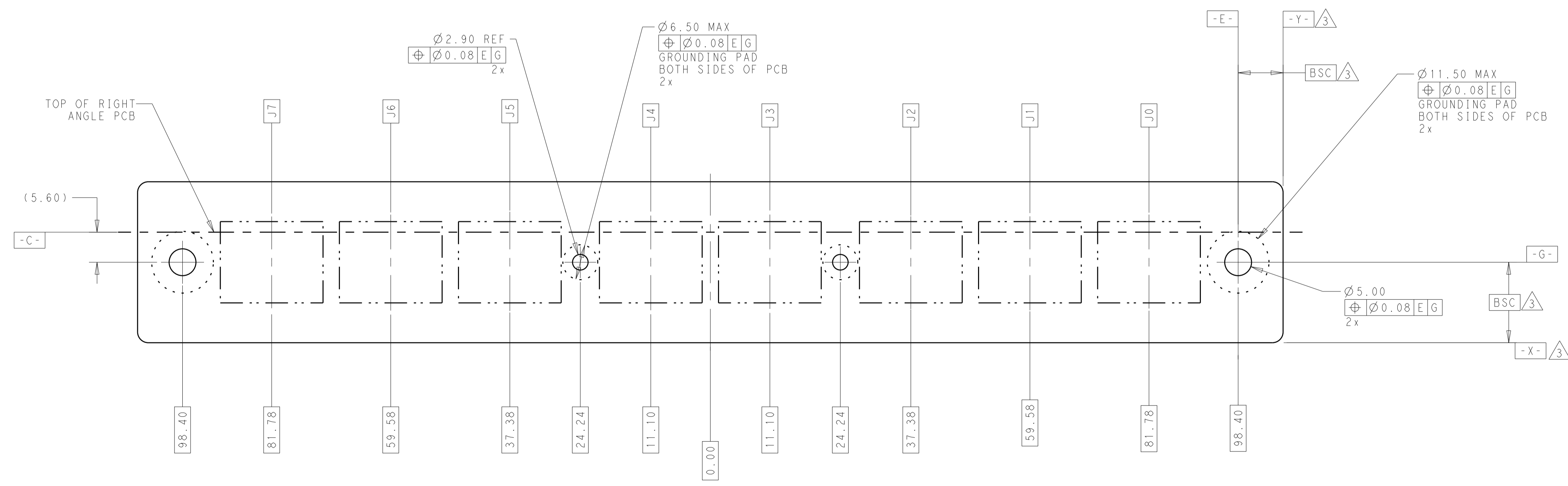
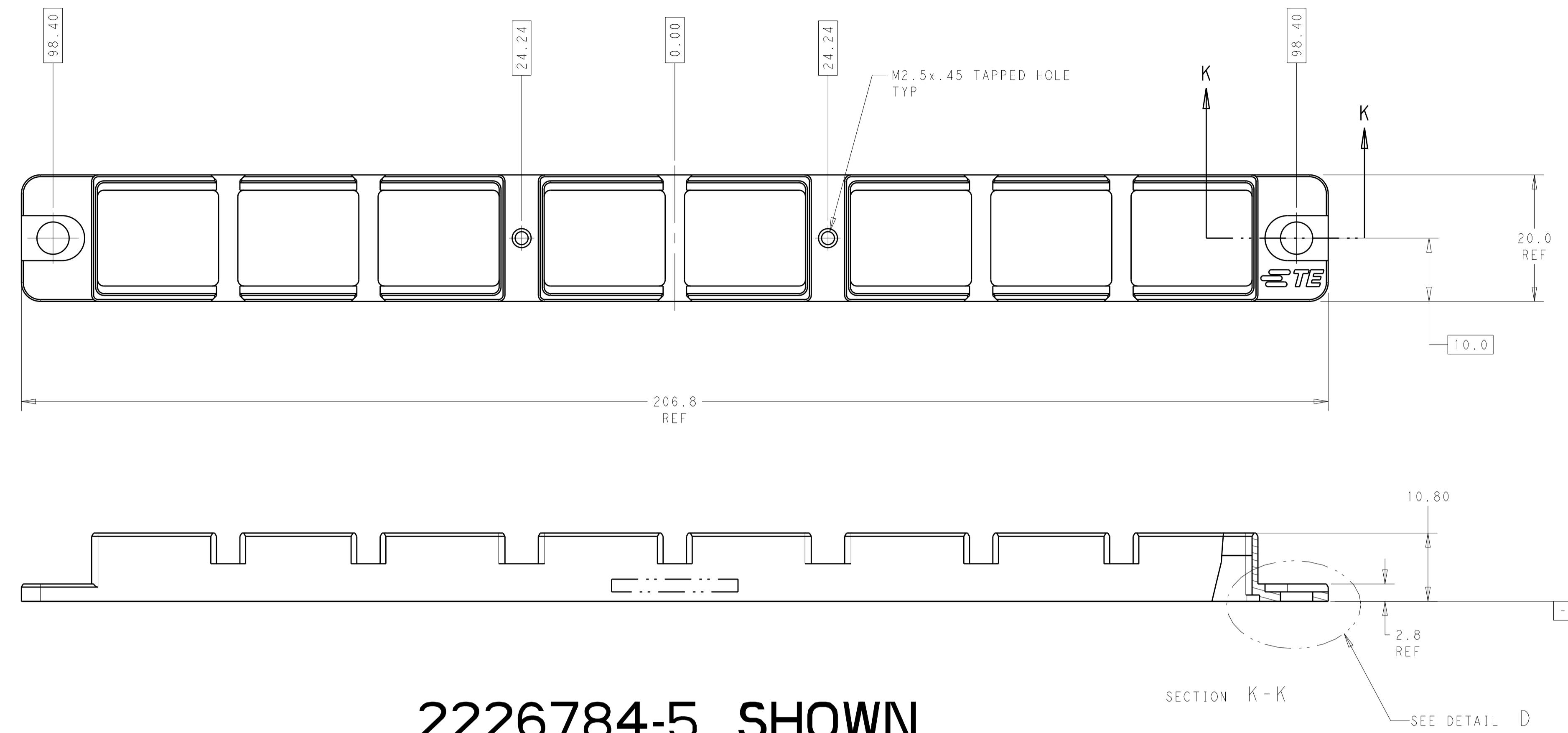
2226784-4 SHOWN



PCB INSERT LOCATIONS

THIS DRAWING IS A CONTROLLED DOCUMENT.		DWN: D. BELACK 18NOV2013	TE Connectivity
DIMENSIONS: mm		CHK: K. THACKSTON	
TOLERANCES UNLESS OTHERWISE SPECIFIED:		APVD: M. McALONIS	NAME: Fortis Zd LRM, BACKPLANE, VERTICAL, SHELL ASSEMBLY
0 PLC ±0.13	1 PLC ±0.08	PRODUCT SPEC: 108-2474	SIZE: A1
2 PLC ±0.08	3 PLC ±0.025	APPLICATION SPEC: 408-10464	CAGE CODE: -
4 PLC ±0.025	ANGLES ±2°	WEIGHT: -	DRAWING NO: C=2226784
MATERIAL: 1	FINISH: 2	CUSTOMER DRAWING	RESTRICTED TO: A
SCALE: 1:1			SHEET: 4 OF 5
REV: A			

REVISIONS				
P.	LTN	DESCRIPTION	DATE	APPD
-	-	SEE SHEET 1	-	-



PCB INSERT LOCATIONS

THIS DRAWING IS A CONTROLLED DOCUMENT.		DWN: D. BELACK 18NOV2013	TE Connectivity NAME: Fortis Zd LRM, BACKPLANE, VERTICAL, SHELL ASSEMBLY PRODUCT SPEC: 108-2474 APPLICATION SPEC: 408-10464
DIMENSIONS: mm		CHK: K. THACKSTON	
TOLERANCES UNLESS OTHERWISE SPECIFIED: 0 PLC ±0.13 1 PLC ±0.08 2 PLC ±0.025 3 PLC ±0.025 4 PLC ±0.025 ANGLES ±2°		APVD: M. McALONIS	SIZE: A1 CAGE CODE: - DRAWING NO: C=2226784 RESTRICTED TO: A
MATERIAL:		FINISH:	WEIGHT: - CUSTOMER DRAWING: <input type="checkbox"/>
SCALE: 2:1			SHEET 5 OF 5 REV A