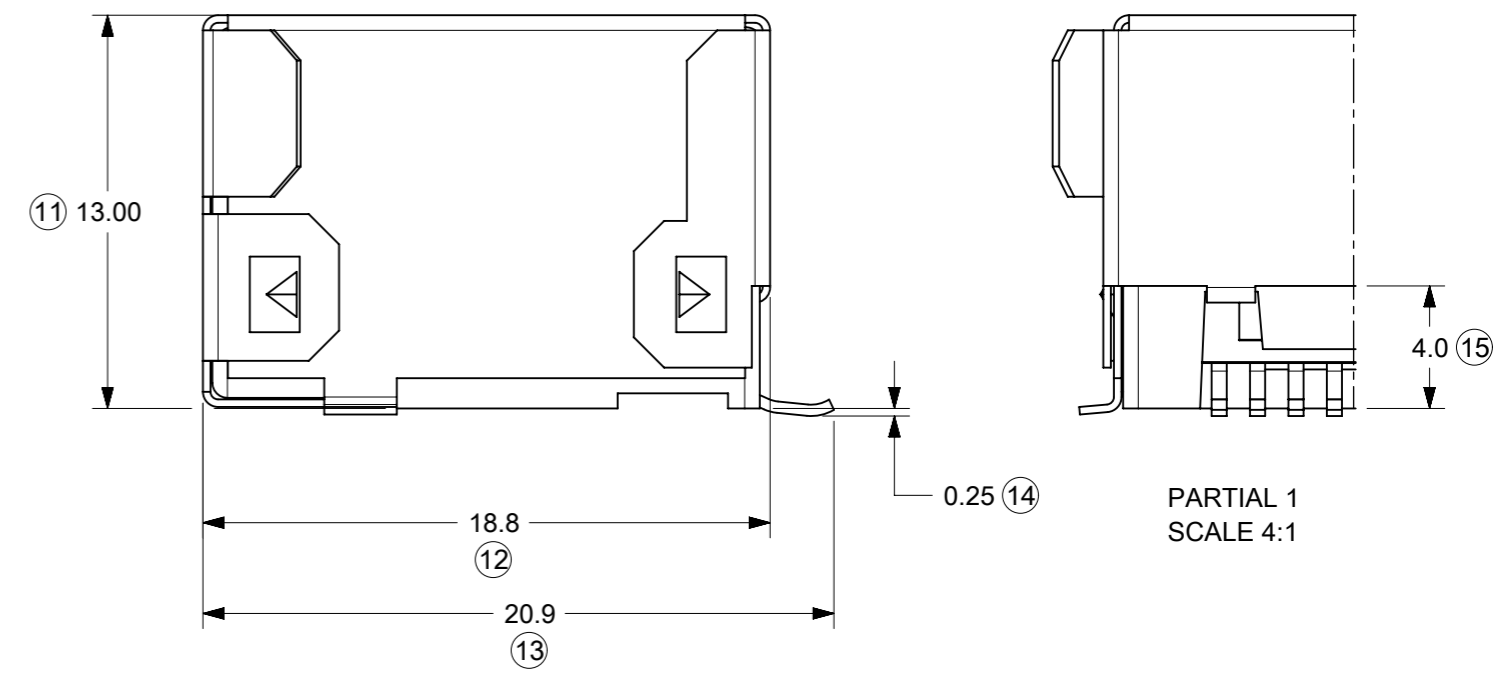
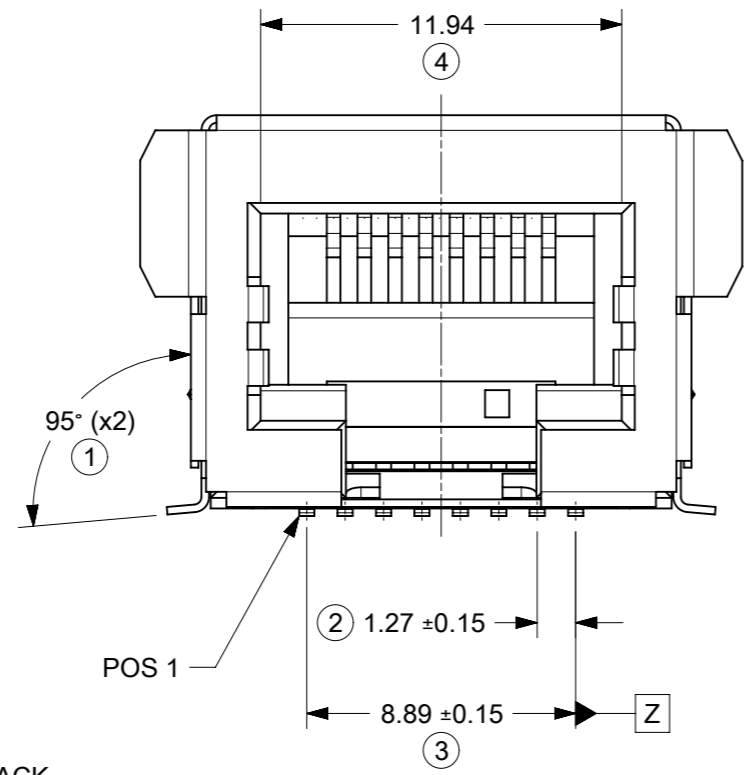
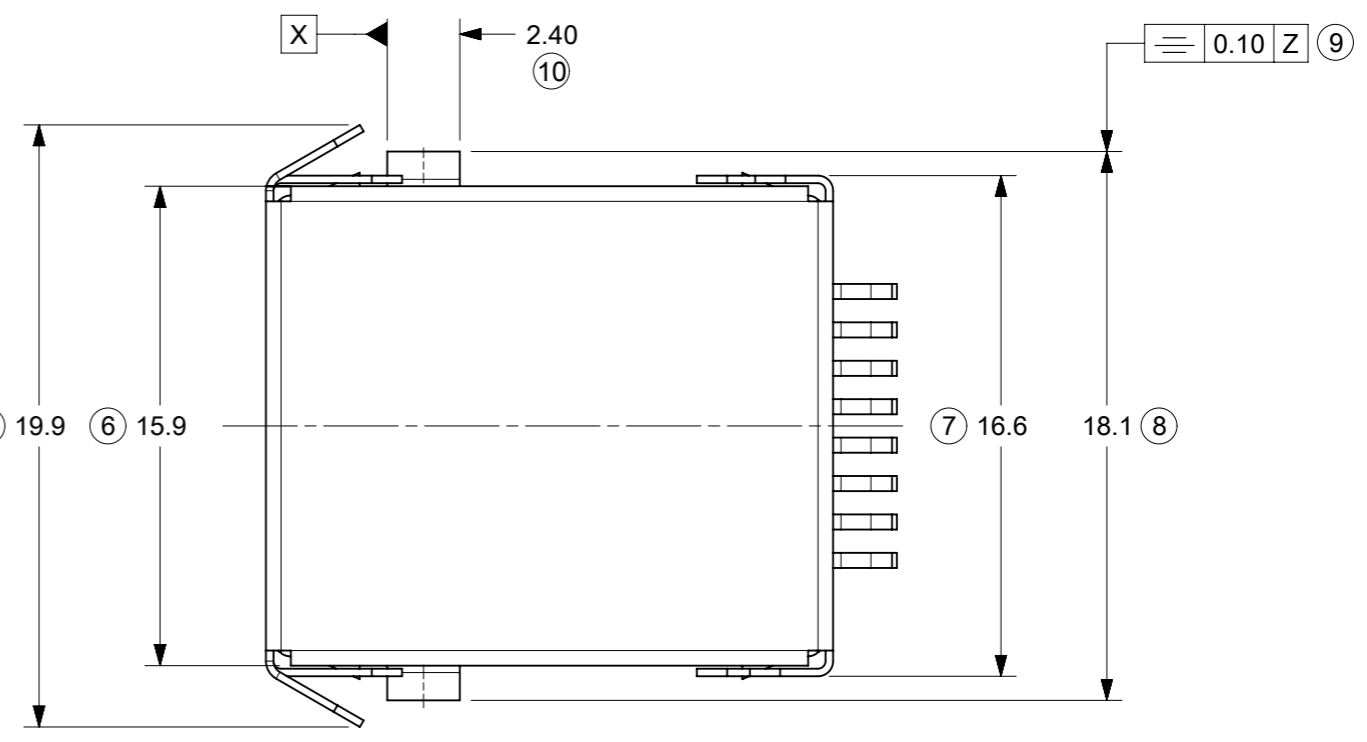
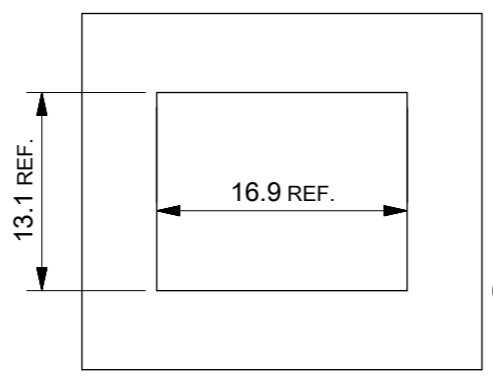


PART NO.	
95622-4884	

SUGGESTED PANEL CUTOUT
SCALE 2:1



- NOTES:**
- JACK FOR MATING WITH SHIELDED PLUG (MOLEX 95043 AND 85568 SERIES)
 - PRODUCT SPECIFICATION: PS-95622-001
 - PACKAGING SPECIFICATION: PK-95122-003 (BLISTER ON REEL)
 - COPLANARITY OF SIGNAL LEADS: 0.10MAX
 - RECOMMENDED PCB THICKNESS 1.57

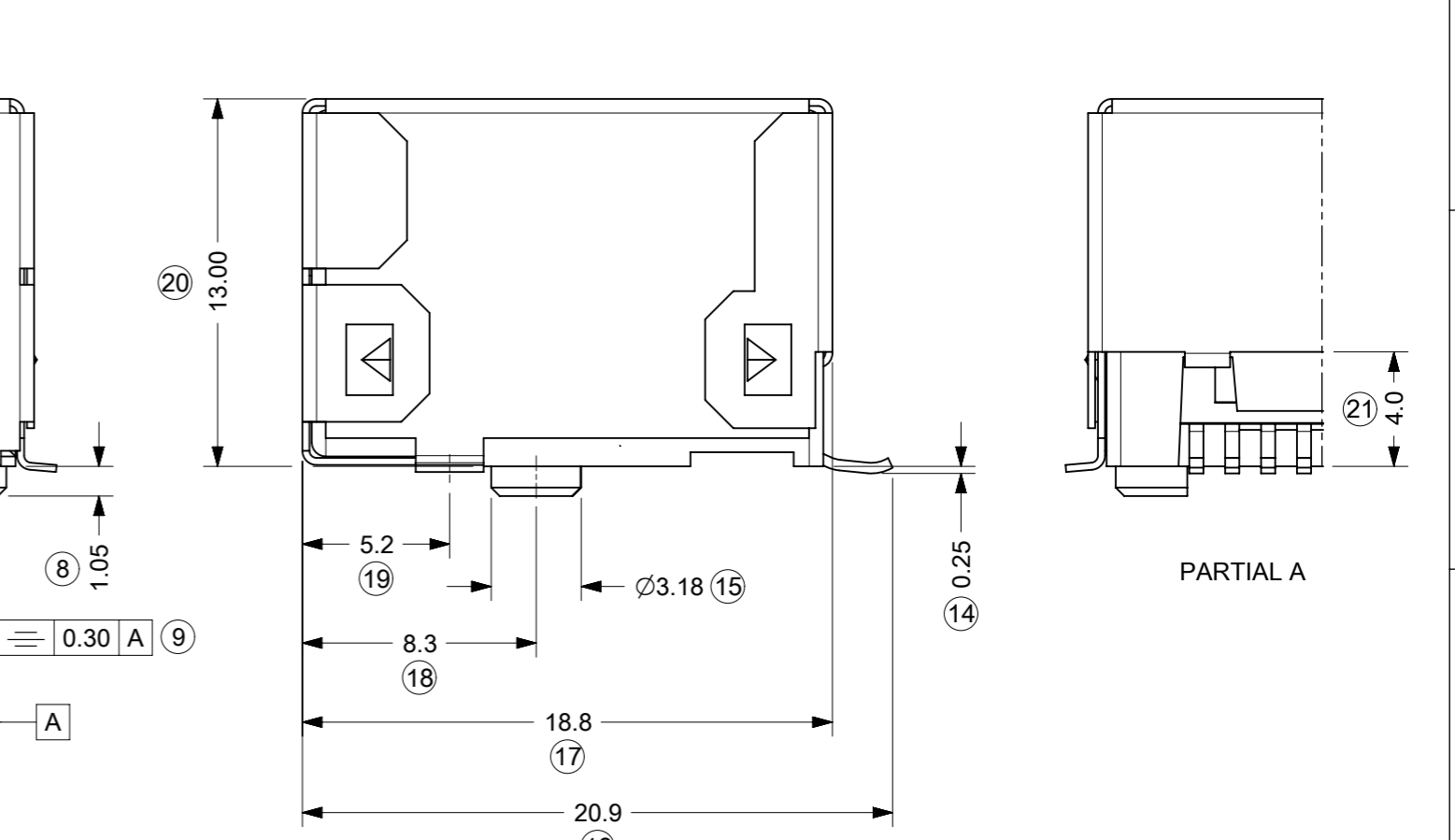
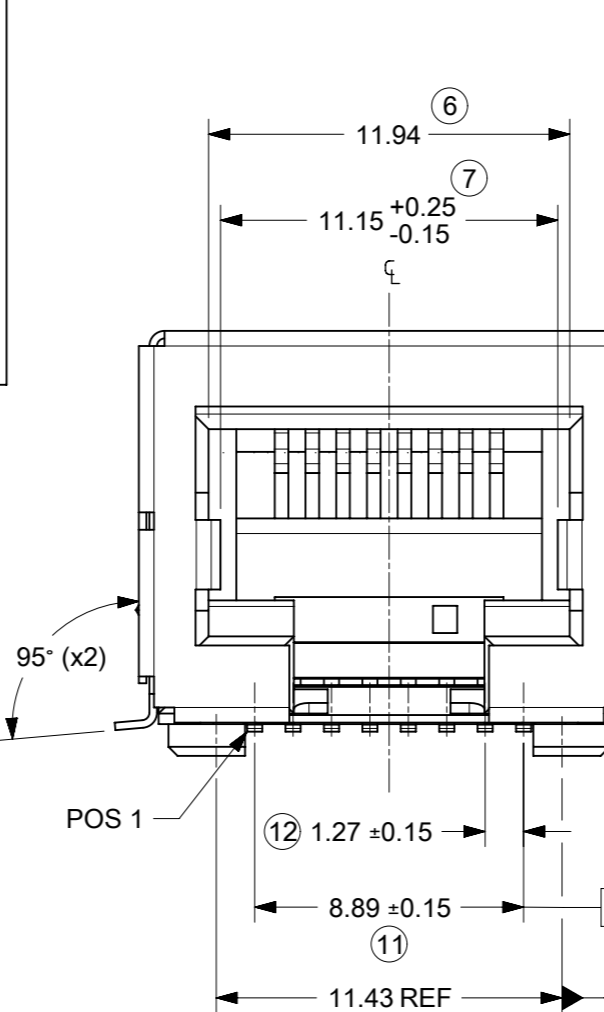
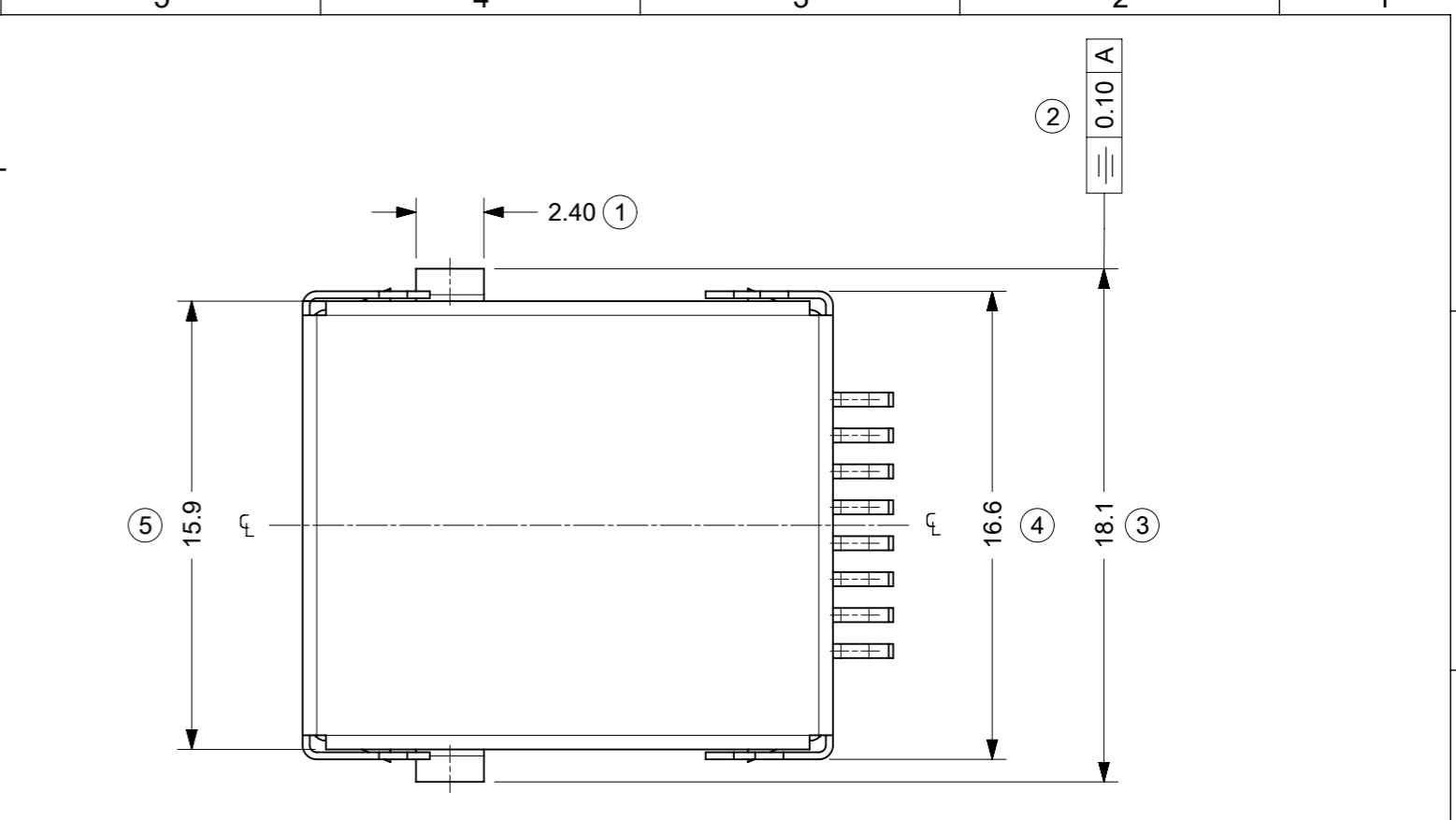
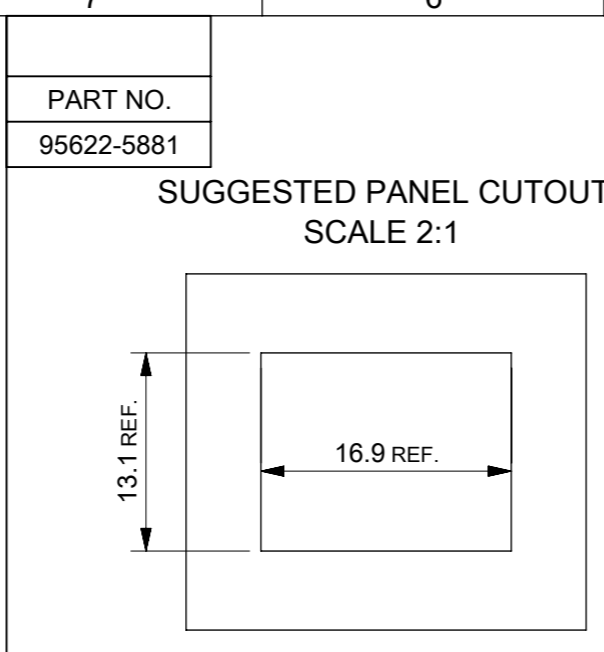
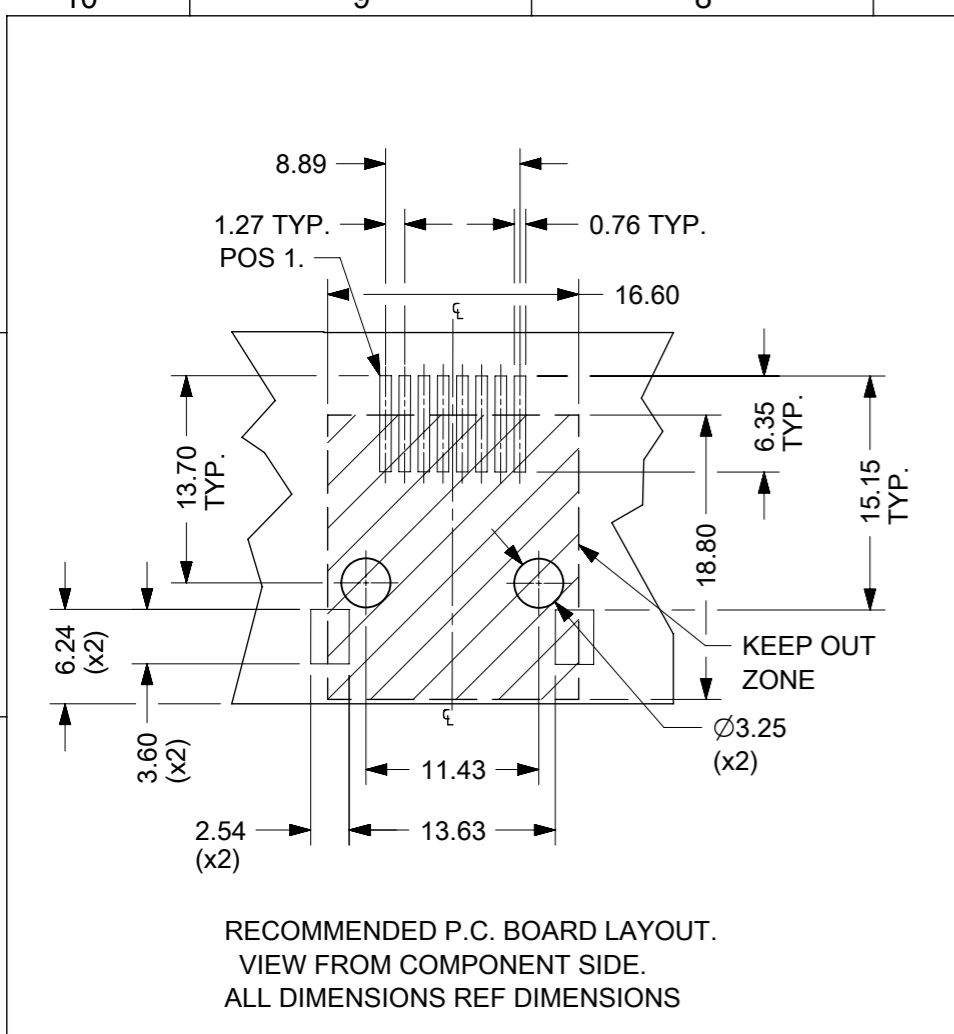
LAST INSPECTION NO.: (16)

TECHNICAL SPECIFICATIONS:

MATERIAL:
HOUSING: LCP GLASS FILLED UL 94-V0, COLOUR BLACK.
TERMINAL: COPPER ALLOY PLATED WITH:
BASE FINISH: NICKEL
CONTACT SURFACE FINISH:
GOLD
OR
GOLD FLASH OVER PALLADIUM NICKEL.
EXCEEDS PRODUCT REQUIREMENTS BASED ON PS-95622-001
SHIELD: COPPER ALLOY PLATED WITH TIN.

THIS DRAWING CONTAINS INFORMATION THAT IS PROPRIETARY TO MOLEX ELECTRONIC TECHNOLOGIES, LLC AND SHOULD NOT BE USED WITHOUT WRITTEN PERMISSION									
DIMENSION UNITS		SCALE		CURRENT REV DESC: ADDED PANEL CUTOUT					
mm		4:1		<p>FULLY SHIELDED TRUE SMT RIGHT ANGLE MODULAR JACK 8 CIRCUIT</p> <p>PRODUCT CUSTOMER DRAWING</p>					
GENERAL TOLERANCES (UNLESS SPECIFIED)									
ANGULAR TOL ± 2.0°									
4 PLACES ±		EC NO: 735778							
3 PLACES ±		DRWN: ASWINA 2022/12/26							
2 PLACES ± 0.25		CHK'D: KLANG 2023/01/27							
1 PLACE ± 0.35		APPR: KLANG 2023/01/27							
0 PLACES ±		INITIAL REVISION:		DOCUMENT NUMBER		DOC TYPE		DOC PART	
DRAFT WHERE APPLICABLE MUST REMAIN WITHIN DIMENSIONS		THIRD ANGLE PROJECTION		DRAWING		SERIES		MATERIAL NUMBER	
		A3-SIZE		95622		SD-95622-007		PSD 001 C2	
				SEE CHART		GENERAL MARKET		1 OF 1	

DOCUMENT STATUS	P1	RELEASE DATE	2023/01/27	00:26:07
-----------------	----	--------------	------------	----------



NOTES:

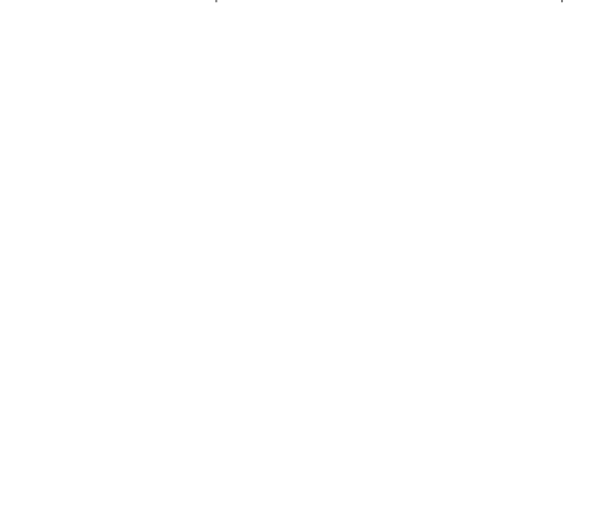
- JACK FOR MATING WITH SHIELDED PLUG (MOLEX 95043 AND 85568 SERIES)
- PRODUCT SPECIFICATION: PS-95622-001
- PACKAGING SPECIFICATION: PK-95122-002 (TAPE AND REEL).
- COPLANARITY OF SIGNAL LEADS: 0.10MAX
- RECOMMENED PCB THICKNESS 1.57

LAST INSPECTION NUMBER: 22
REMOVED INSPECTION NO: 10

TECHNICAL SPECIFICATIONS:

MATERIAL:
HOUSING: LCP GLASS FILLED UL 94-V0
COLOUR BLACK.
TERMINAL: COPPER ALLOY PLATED WITH:
BASE FINISH: NICKEL
CONTACT SURFACE FINISH:
GOLD,
OR
GOLD FLASH OVER PALLADIUM NICKEL.
EXCEEDS PRODUCT REQUIREMENTS BASED ON PS-95622-001

SHIELD: COPPER ALLOY PLATED WITH TIN.



FUNCTIONAL SYMBOLS	THIS DRAWING CONTAINS INFORMATION THAT IS PROPRIETARY TO MOLEX ELECTRONIC TECHNOLOGIES, LLC AND SHOULD NOT BE USED WITHOUT WRITTEN PERMISSION	CURRENT REV DESC: ADDED PANEL CUTOUT																														
	<table border="1"> <tr> <th>FUNCTIONAL SYMBOLS</th> <th>DIMENSION UNITS</th> <th>SCALE</th> </tr> <tr> <td>$\nabla_A = 0$</td> <td>mm</td> <td>4:1</td> </tr> <tr> <td colspan="3">GENERAL TOLERANCES (UNLESS SPECIFIED)</td> </tr> <tr> <td>$\nabla_E = 0$</td> <td colspan="2">ANGULAR TOL $\pm 2.0^\circ$</td> </tr> <tr> <td>$\nabla_F = 0$</td> <td colspan="2">4 PLACES \pm</td> </tr> <tr> <td></td> <td colspan="2">3 PLACES \pm</td> </tr> <tr> <td></td> <td colspan="2">2 PLACES ± 0.25</td> </tr> <tr> <td></td> <td colspan="2">1 PLACE ± 0.35</td> </tr> <tr> <td></td> <td colspan="2">0 PLACES \pm</td> </tr> </table>	FUNCTIONAL SYMBOLS	DIMENSION UNITS				SCALE	$\nabla_A = 0$	mm	4:1	GENERAL TOLERANCES (UNLESS SPECIFIED)			$\nabla_E = 0$	ANGULAR TOL $\pm 2.0^\circ$		$\nabla_F = 0$	4 PLACES \pm			3 PLACES \pm			2 PLACES ± 0.25			1 PLACE ± 0.35			0 PLACES \pm		EC NO: 735778 DRWN: ASWINA CHK'D: KLANG APPR: KLANG 2022/12/26 2023/01/27 2023/01/27
FUNCTIONAL SYMBOLS	DIMENSION UNITS	SCALE																														
$\nabla_A = 0$	mm	4:1																														
GENERAL TOLERANCES (UNLESS SPECIFIED)																																
$\nabla_E = 0$	ANGULAR TOL $\pm 2.0^\circ$																															
$\nabla_F = 0$	4 PLACES \pm																															
	3 PLACES \pm																															
	2 PLACES ± 0.25																															
	1 PLACE ± 0.35																															
	0 PLACES \pm																															
DIVISIONAL SYMBOLS	DRAFT WHERE APPLICABLE MUST REMAIN WITHIN DIMENSIONS		THIRD ANGLE PROJECTION 	DRAWING A3-SIZE	SERIES 95622	DOCUMENT NUMBER SD-95622-012	DOC TYPE PSD	DOC PART 001	REVISION F3																							
PRODUCT CUSTOMER DRAWING		INITIAL REVISION: DRWN: DBYRNES APPR: EFOLAN 2009/11/20 2011/05/24		MATERIAL NUMBER SEE CHART			CUSTOMER GENERAL MARKET		SHEET NUMBER 1 OF 1																							