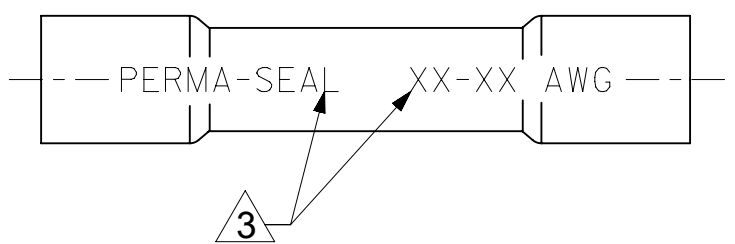
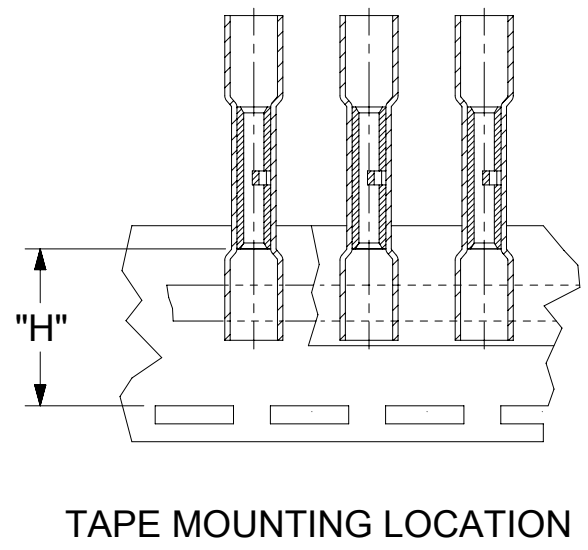
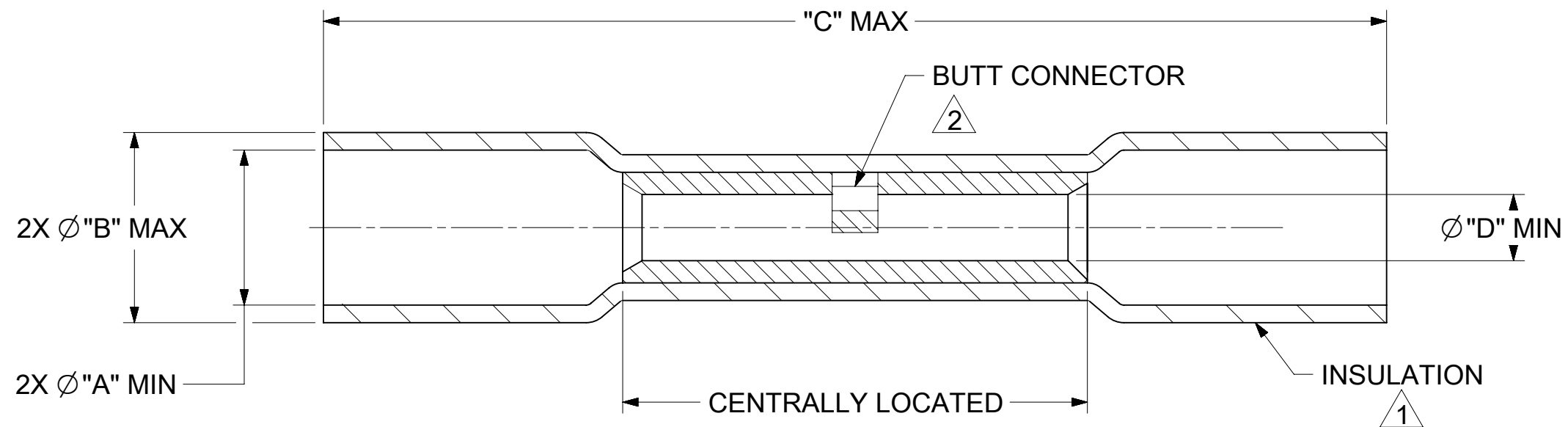


MAT'L NO.	ENG NO.	MAT'L NO. TAPE MOUNT	ENG NO. TAPE MOUNT	PERMA-SEAL COLOR	WIRE AWG	"A" MIN	"B" Ø MAX	"C" MAX	"H" ± .020 (0.51)	"D" MIN
191640013	SAA-22-18	191640014	SAA-22-18T	SAA-22-18T	22 - 18	.185 (4.70)	.280 (7.11)	1.55 (39.4)	.767 (19.48)	.059 (1.50)
191640044	SBB-16-14	191640045	SBB-16-14T	SBB-16-14T	16 - 14	.195 (4.95)	.308 (7.82)	1.55 (39.4)	.765 (19.43)	.091 (2.31)
191640056	SC-12-10	191640057	SC-12-10T	SC-12-10T	12 - 10	.275 (6.99)	.383 (9.73)	1.80 (45.7)	.800 (23.32)	.139 (3.53)
191640079	SD-354	----	----	----	8	.300 (7.62)	.448 (11.38)	2.05 (52.4)	----	.165 (4.19)



- NOTE(S):
- 1 INSULATION MATERIAL: HEAT SHRINKABLE TUBING WITH HOTMELT INNER LINER. (SEE CHART FOR COLOR).
 - 2 SEAMLESS TIN PLATED COPPER TERMINAL.
 - 3 PRINTED TEXT IN BLACK APPROX. .12(3.0) HIGH
 - 4. PARTS ARE RoHS COMPLIANT.

FUNCTIONAL SYMBOLS		THIS DRAWING CONTAINS INFORMATION THAT IS PROPRIETARY TO MOLEX ELECTRONIC TECHNOLOGIES, LLC AND SHOULD NOT BE USED WITHOUT WRITTEN PERMISSION		CURRENT REV DESC: "H" TOLERANCE WAS +/- .010 (.025)			
DIMENSION UNITS		SCALE					
INCH/MM		1:1		EC NO: 740839		DRWN: DEANNM1	
GENERAL TOLERANCES (UNLESS SPECIFIED)				2023/03/02		2023/03/11	
4 PLACES ±				CHK'D: JMACNEIL		2023/03/11	
3 PLACES ±				APPR: JMACNEIL		2023/03/11	
2 PLACES ±				INITIAL REVISION:		DOCUMENT NUMBER	
1 PLACE ±				DRWN: BENDERLE		SD-19164-017	
0 PLACES ±				APPR: RDEROSS		PSD 001 F3	
ANGULAR TOL ± °				THIRD ANGLE PROJECTION		MATERIAL NUMBER	
DRAFT WHERE APPLICABLE MUST REMAIN WITHIN DIMENSIONS				DRAWING		CUSTOMER	
				SERIES		SHEET NUMBER	
				B-SIZE		1 OF 1	
				19164		SEE CHART	
						GENERAL MARKET	