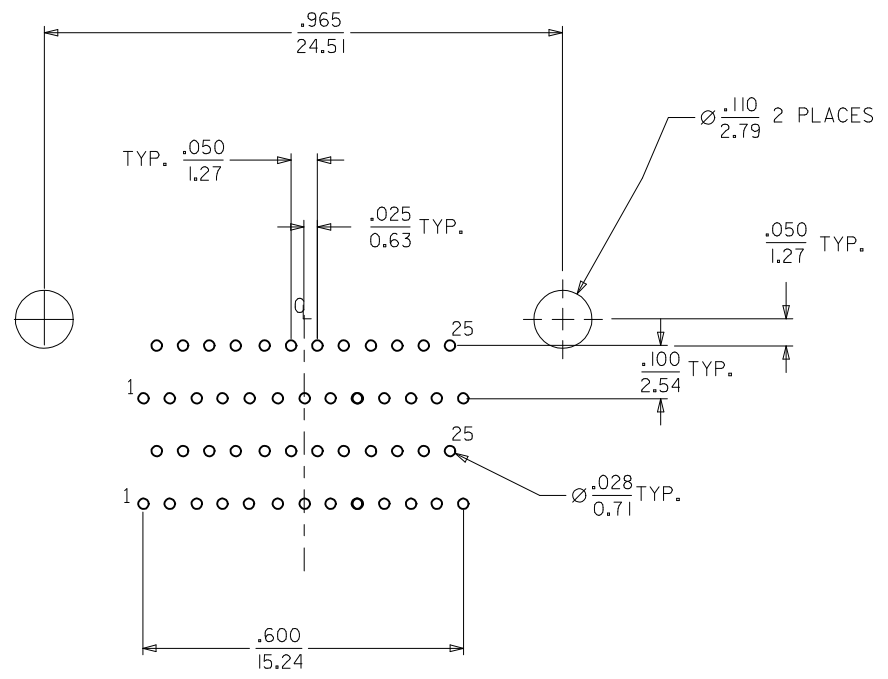


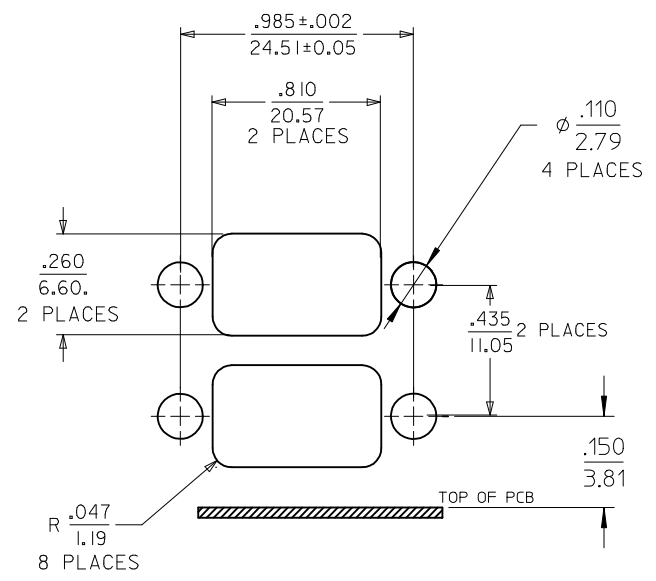
SALES DRAWING

1. MARKING: NONE.
 2. SEE SHEET 2 FOR PCB LAYOUT AND PANEL CUT-OUT DIMENSIONS.
 NOTES: UNLESS OTHERWISE SPECIFIED.

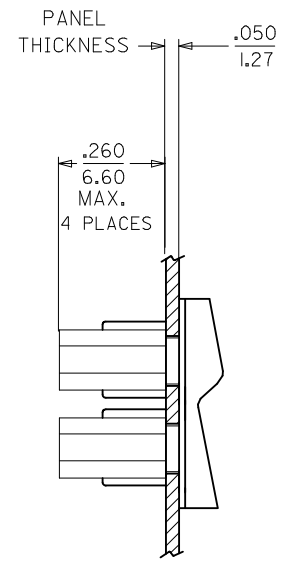
ADD ISO VIEW EC NO: IPG2017-0765 DRWN:RUPERT 2017/03/17 CHKD: APPR:MLEUNG 2017/04/28	QUALITY SYMBOLS	GENERAL TOLERANCES (UNLESS SPECIFIED)		DIMENSION STYLE IN/MM		SCALE 2:1	DESIGN UNITS INCH	THIRD ANGLE PROJECTION	
	▽=0 ∇=0	4 PLACES ± --- ± --- 3 PLACES ± --- ± .005 2 PLACES ± 0.13 ± .01 1 PLACE ± 0.25 ± ---	mm INCH ± --- ± --- ± --- ± .005 ± 0.13 ± .01 ± 0.25 ± ---	DRAWN BY JLOMASTR CHECKED BY RDEROSS APPROVED BY JFMURPHY MATERIAL NO. 836199011	DATE 04/09/22 DATE 04/09/28 DATE 2009/08/26	TITLE DUAL CONNECTOR PLUG COMM. MICRO D PLUG R/A SIZE 25	MOLEX INCORPORATED DOCUMENT NO. SD-83619-007		
	DRAFT WHERE APPLICABLE MUST REMAIN WITHIN DIMENSIONS		SIZE A3	THIS DRAWING CONTAINS INFORMATION THAT IS PROPRIETARY TO MOLEX INCORPORATED AND SHOULD NOT BE USED WITHOUT WRITTEN PERMISSION					
	REV	DESCRIPTION					SHEET NO. 1 OF 2		



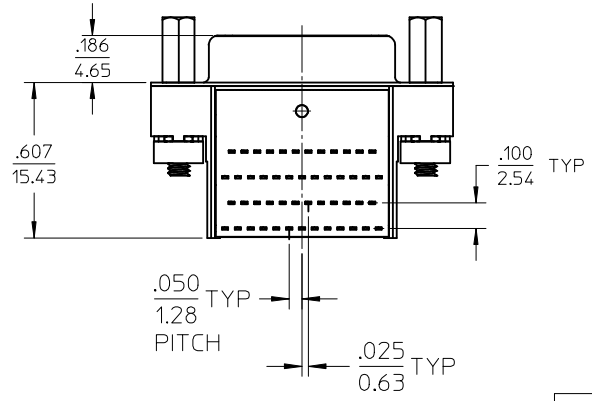
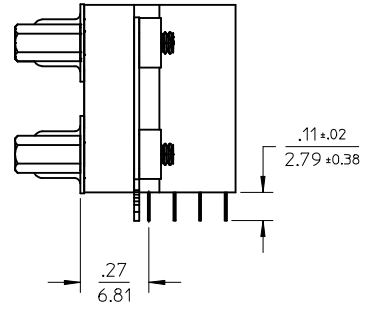
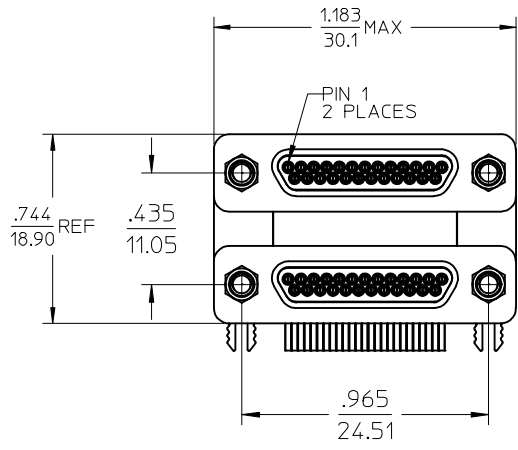
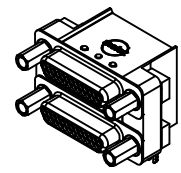
**RECOMMENDED
P.C.B. LAY-OUT
SOLDER SIDE**



**RECOMMENDED
PANEL CUT-OUT**



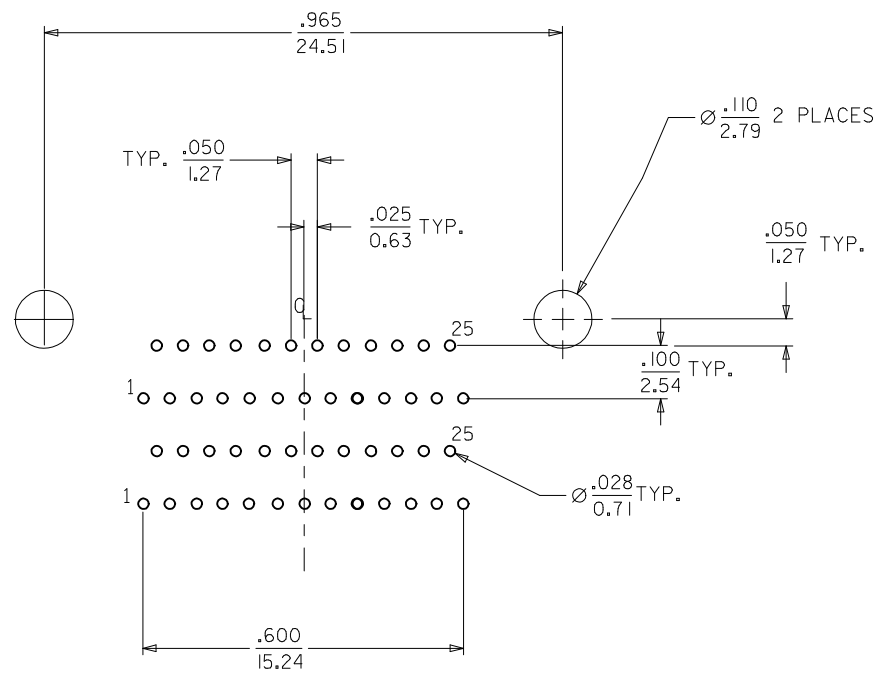
SEE SHEET 1 EC NO: IPG2017-0765 DRWN: BRUPERT 2017/03/17 CHKD: APPR: WLEUNG 2017/04/28	QUALITY SYMBOLS	GENERAL TOLERANCES (UNLESS SPECIFIED)	DIMENSION STYLE	SCALE	DESIGN UNITS	THIRD ANGLE PROJECTION
	▽=0 □=0	mm INCH 4 PLACES ± --- ± --- 3 PLACES ± --- ± .005 2 PLACES ± 0.13 ± .01 1 PLACE ± 0.25 ± --- ANGULAR ± 1/2°	IN/MM DRAWN BY: JLOMASTR DATE: 04/09/22 CHECKED BY: RDEROSS DATE: 04/09/28 APPROVED BY: JFMURPHY DATE: 2009/08/26 MATERIAL NO.	2:1	INCH	
	DRAFT WHERE APPLICABLE MUST REMAIN WITHIN DIMENSIONS		TITLE: DUAL CONNECTOR PLUG COMM. MICRO D PLUG R/A SIZE 25 APPROVED BY: JFMURPHY DATE: 2009/08/26 MATERIAL NO. 836199011		MOLEX INCORPORATED DOCUMENT NO. SD-83619-007	SHEET NO. 2 OF 2
			SIZE: A3 THIS DRAWING CONTAINS INFORMATION THAT IS PROPRIETARY TO MOLEX INCORPORATED AND SHOULD NOT BE USED WITHOUT WRITTEN PERMISSION			



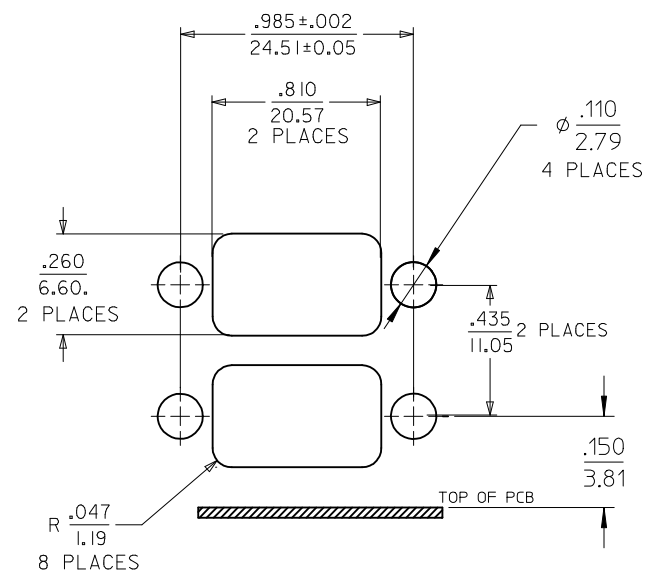
SALES DRAWING

1. MARKING: NONE.
 2. SEE SHEET 2 FOR PCB LAYOUT AND PANEL CUT-OUT DIMENSIONS.
 NOTES: UNLESS OTHERWISE SPECIFIED.

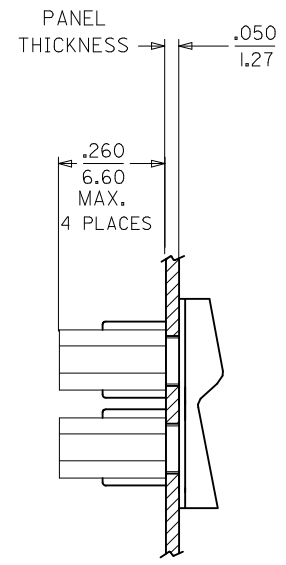
ADD ISO VIEW EC NO: IPG2017-0765 DRWN:RUPERT 2017/03/17 CHKD: APPR:MLEUNG 2017/04/28	QUALITY SYMBOLS	GENERAL TOLERANCES (UNLESS SPECIFIED)		DIMENSION STYLE IN/MM		SCALE 2:1	DESIGN UNITS INCH	THIRD ANGLE PROJECTION	
	▽=0 ◻=0	4 PLACES ± --- ± --- 3 PLACES ± --- ± .005 2 PLACES ± 0.13 ± .01 1 PLACE ± 0.25 ± --- ANGULAR ± 1/2°	mm INCH	DRAWN BY JLOMASTR CHECKED BY RDEROSS APPROVED BY JFMURPHY MATERIAL NO. 836199011	DATE 04/09/22 DATE 04/09/28 DATE 2009/08/26	TITLE DUAL CONNECTOR PLUG COMM. MICRO D PLUG R/A SIZE 25 MOLEX INCORPORATED DOCUMENT NO. SD-83619-007			
	DRAFT WHERE APPLICABLE MUST REMAIN WITHIN DIMENSIONS		SIZE A3	THIS DRAWING CONTAINS INFORMATION THAT IS PROPRIETARY TO MOLEX INCORPORATED AND SHOULD NOT BE USED WITHOUT WRITTEN PERMISSION					
	REV	DESCRIPTION					SHEET NO. 1 OF 2		



**RECOMMENDED
P.C.B. LAY-OUT
SOLDER SIDE**



**RECOMMENDED
PANEL CUT-OUT**



SEE SHEET 1 EC NO: IPG2017-0765 DRWN: BRUPERT 2017/03/17 CHKD: APPR: WLEUNG 2017/04/28	QUALITY SYMBOLS	GENERAL TOLERANCES (UNLESS SPECIFIED)		DIMENSION STYLE IN/MM		SCALE 2:1	DESIGN UNITS INCH	THIRD ANGLE PROJECTION		
	▽=0 □=0	4 PLACES ± --- ± --- 3 PLACES ± --- ± .005 2 PLACES ± 0.13 ± .01 1 PLACE ± 0.25 ± --- ANGULAR ± 1/2°	mm INCH	DRAWN BY JLOMASTR CHECKED BY RDEROSS APPROVED BY JFMURPHY MATERIAL NO. 836199011	DATE 04/09/22 DATE 04/09/28 DATE 2009/08/26	TITLE	DUAL CONNECTOR PLUG COMM. MICRO D PLUG R/A SIZE 25 MOLEX INCORPORATED DOCUMENT NO. SD-83619-007	SHEET NO. 2 OF 2		
	DRAFT WHERE APPLICABLE MUST REMAIN WITHIN DIMENSIONS		SIZE A3	THIS DRAWING CONTAINS INFORMATION THAT IS PROPRIETARY TO MOLEX INCORPORATED AND SHOULD NOT BE USED WITHOUT WRITTEN PERMISSION						
	REV	DESCRIPTION								