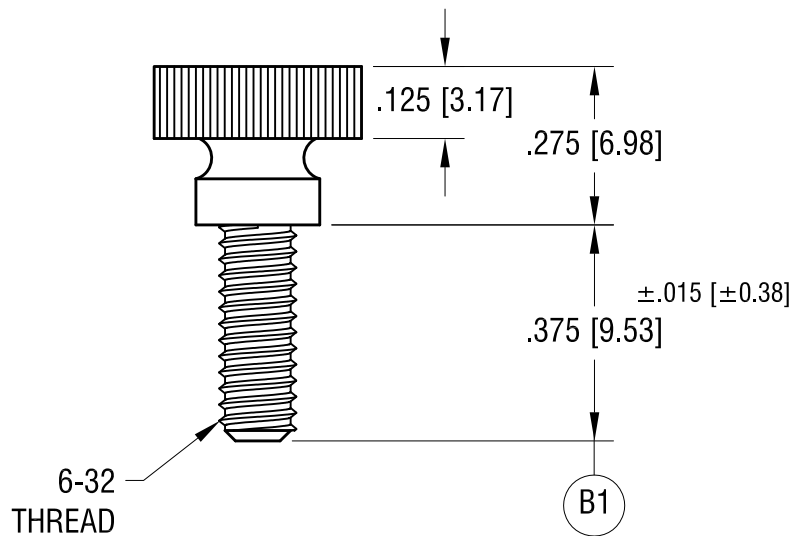
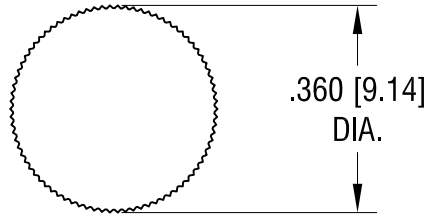
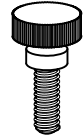


THIS DOCUMENT IS THE PROPERTY OF  
KEYSTONE ELECTRONICS CORP. AND  
SHALL NOT BE REPRODUCED, DISTRIBUTED  
OR USED AS A BASIS FOR MANUFACTURE  
WITHOUT PRIOR WRITTEN PERMISSION  
FROM KEYSTONE ELECTRONICS CORP.

ACTUAL SIZE



11.19.21	(B1) WAS .375+.000/- .020 CHANGE AS PER ECN 21-139	B
8.04.11	CHANGE AS PER ECN 11-100	A
DATE	DESCRIPTION	REV.

<b>KEYSTONE ELECTRONICS CORP.</b>			
www.keyelco.com • NEW HYDE PARK NY 11040 • Tel (516)328-7500			
PART NAME KNURL HEAD THUMB SCREW			
MATERIAL NYLON 6/6			
FINISH NONE		DRN BY NT	DATE 3.22.11
		APP'D LN	SCALE 3X
TOLERANCES DECIMAL ANGULAR UNLESS OTHERWISE SPECIFIED	INCH [MM] ± .005 [± 0.13] ± 1°	CODE C	DWG NO. 2504