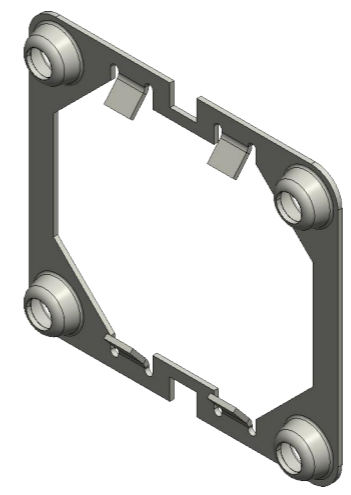
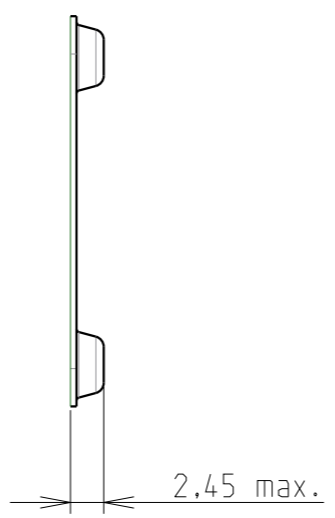
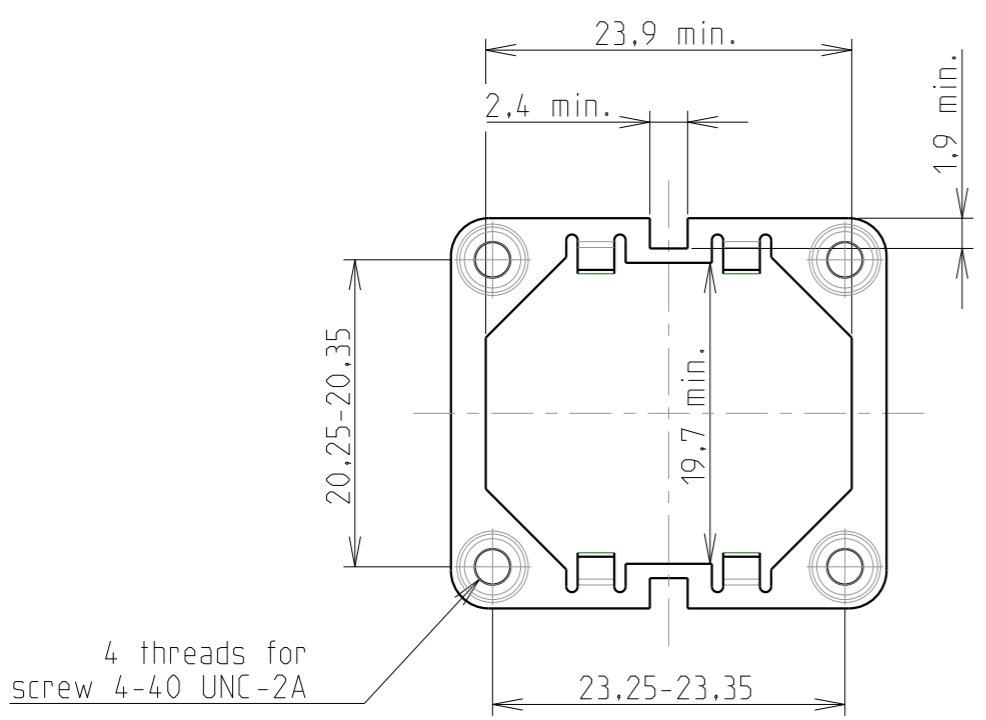


A.1: Validé

MASS	1 g max.
------	----------



Technical Characteristics	
Material & finishes	
Material : Stainless steel	
Climatic	
Operating temperature range : -55 °C to +175 °C	
Salt spray (corrosion) : 500 hrs	
Mechanical	
Compliant EN4165 - BACC65 - ARINC 809	
Recommended Screw Torque : 0.5 ±0.1 N.m	
Environmental	
RoHS and REACH compliant	
Fluid resistance : See standard EN 4165-001 (table 40)	

Country	Jurisdiction & Control List
FR	NOT LISTED

P/N : 8MQ2A1D25

BASIC SERIE	8MQ	2	A	1	D	25
2 = Serie 2						
A = Accessory						
1 = Number of cavities						
D = Nut plate						
25 = Based on standard EN4165						

A	09/08/17	First issue	24230S
ISS	DATE	Latest modification - by:	MOD N°
		N.AUFFRET Date:09/08/17	--
Designed by:		CUSTOMER DRAWING	
TITLE		NUT PLATE - ACCESSORY	
		BASIC SERIE 8MQ - EN4165	
Scale	2/1	General Linear Tolerances: ± --	NPRDS / PROJECT BE133702A
SOURIAU		WWW.SOURIAU.COM	
This document is the property of SOURIAU			It must not be reproduced or communicated without permission
FORMAT	SOURIAU DRG N° 8MQ2A1D25-C		
A3			SHEET 1 / 1

SOURIAU shall not be liable for any non-conformity or damage due to a use of the Products which does not comply with the Specifications issued by either of the Parties or by a third party (professional recommendation, technical notice.)