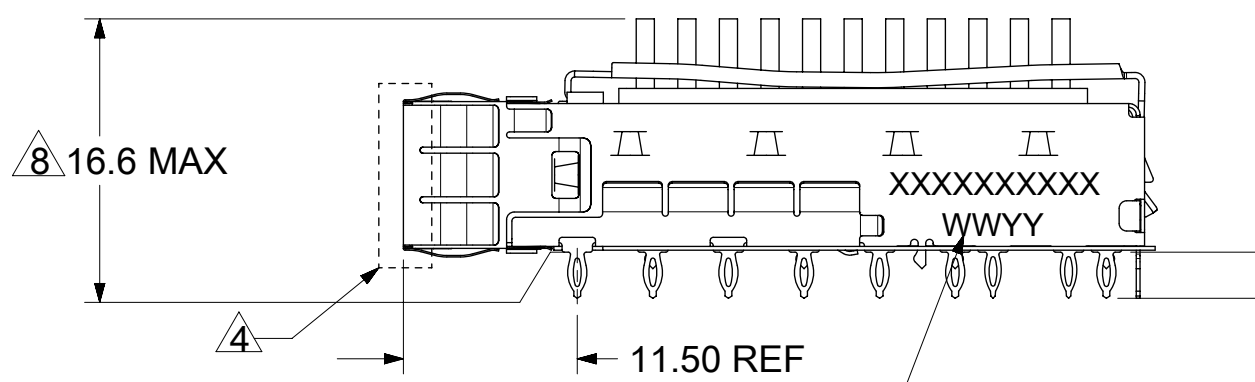
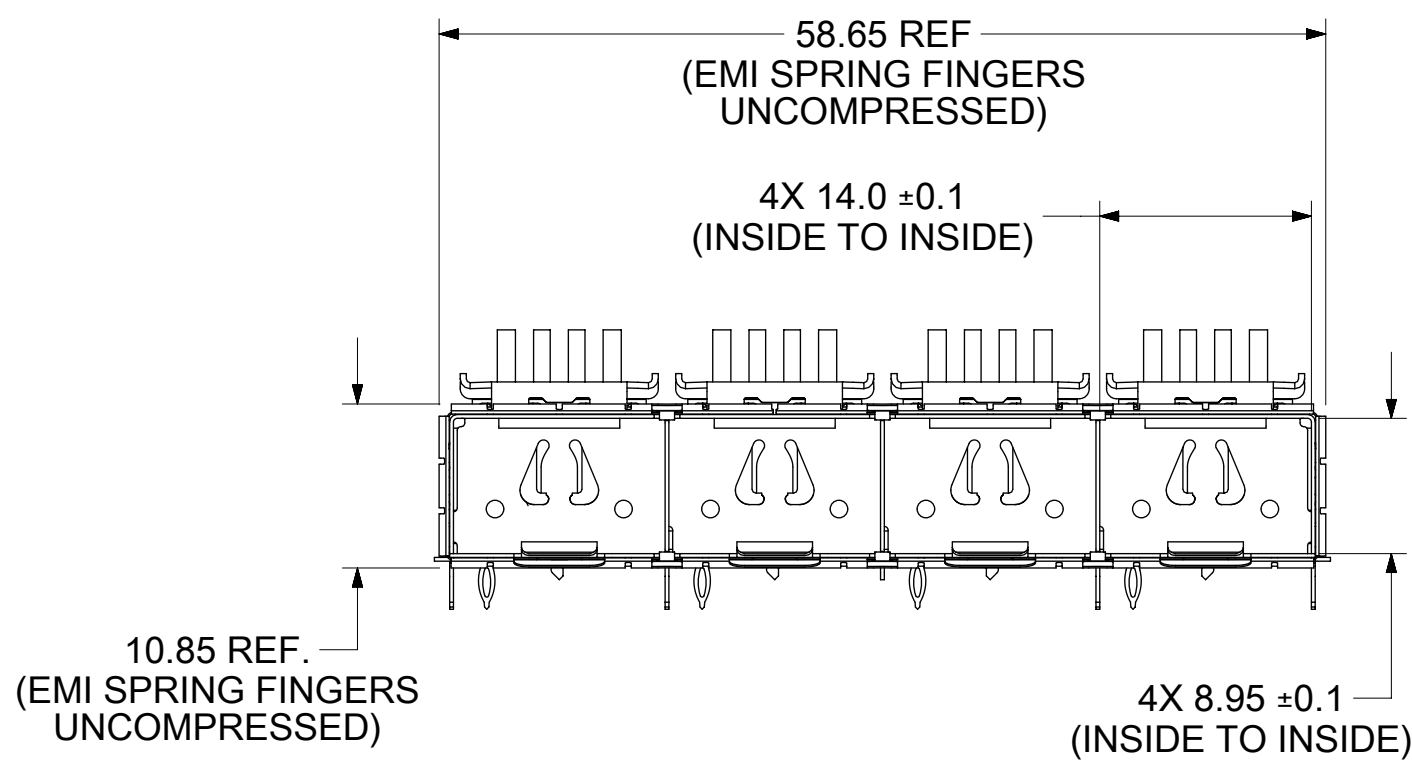
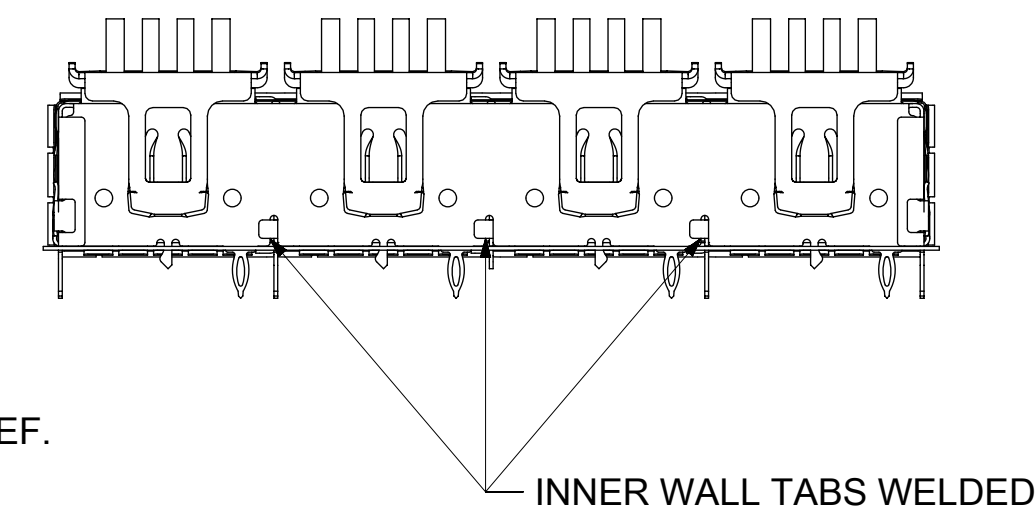


UNDER BELLY GASKET



PN/DATE TO BE PRINTED ON THE SIDE OF COMPLETED CAGE ASSEMBLY APPROXIMATELY AS SHOWN.



INNER WALL TABS WELDED

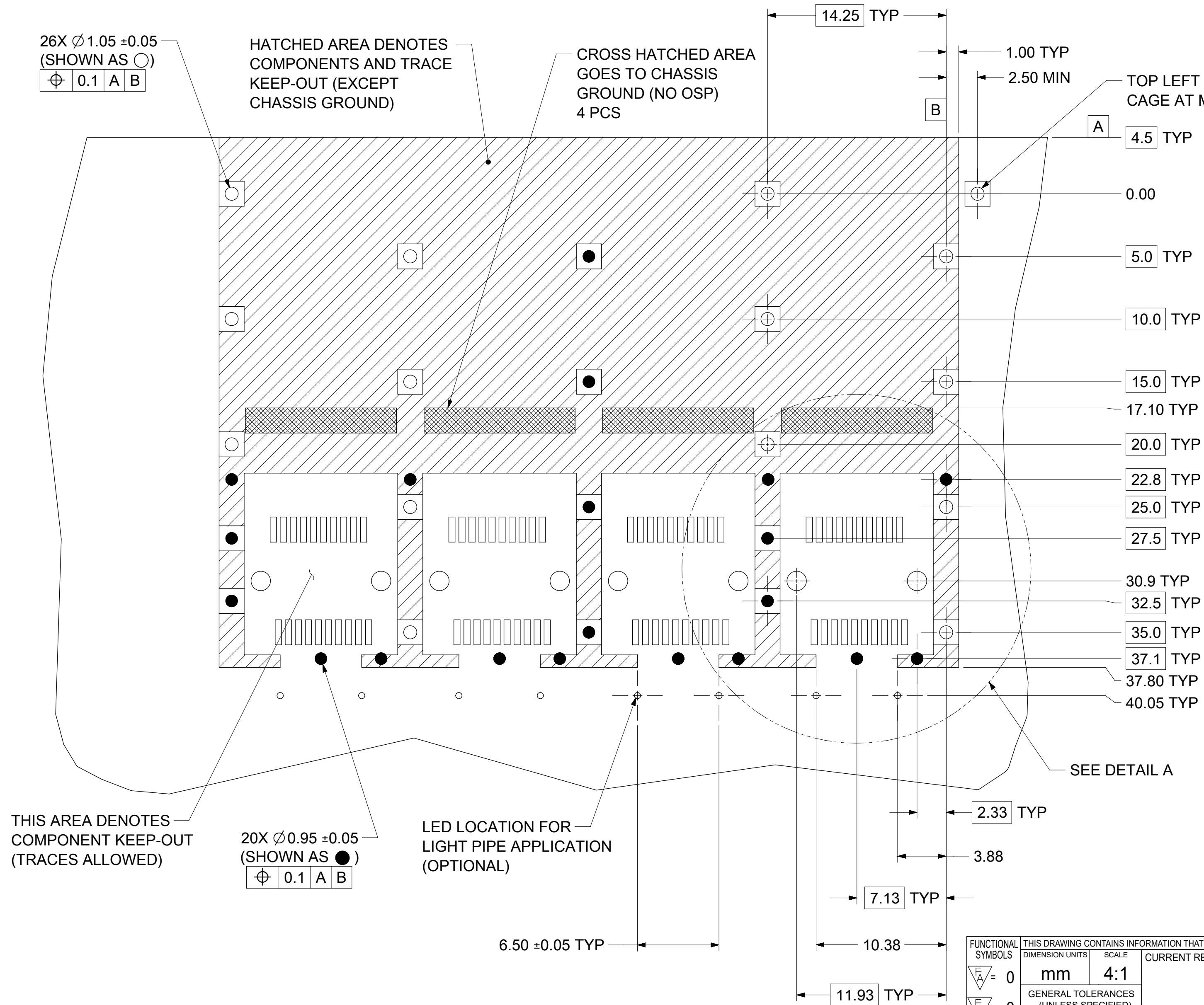
NOTES:

- MATERIAL:  
CAGE: 0.25mm THICK COPPER ALLOY, NICKEL PLATED.  
SPRING FINGERS: STAINLESS STEEL.  
HEATSINK: ALUMINUM, BLACK ANODIZED  
HEATSINK SPRING CLIP: STAINLESS STEEL.  
UNDER BELLY GASKET: EMI GASKET.
- PRESS FIT LEGS 3.05mm LONG:
- PORTS ARE DESIGNED FOR SFP+ TRANSCEIVERS AND ARE COMPATIBLE WITH SFP TRANSCEIVERS. THE TOP SURFACE OF THE MODULE MUST BE FLAT (NO PRODUCT LABEL RECESS) AND THERMALLY CONDUCTIVE TO FUNCTION OPTIMALLY.
- WELD SPOT MAY SHOW SLIGHT MATERIAL DISCOLORATION.
- NO RoHS EXEMPTIONS.
- 1.57mm MINIMUM PCB THICKNESS FOR SINGLE SIDED USE.
- 3.0mm MINIMUM PCB THICKNESS FOR BELLY TO BELLY USE.
- HEIGHT OF HEATSINK WITH MODULE INSERTED DIMENSION MAY BE LESS DUE TO MODULE AND HEATSINK VARIATIONS.

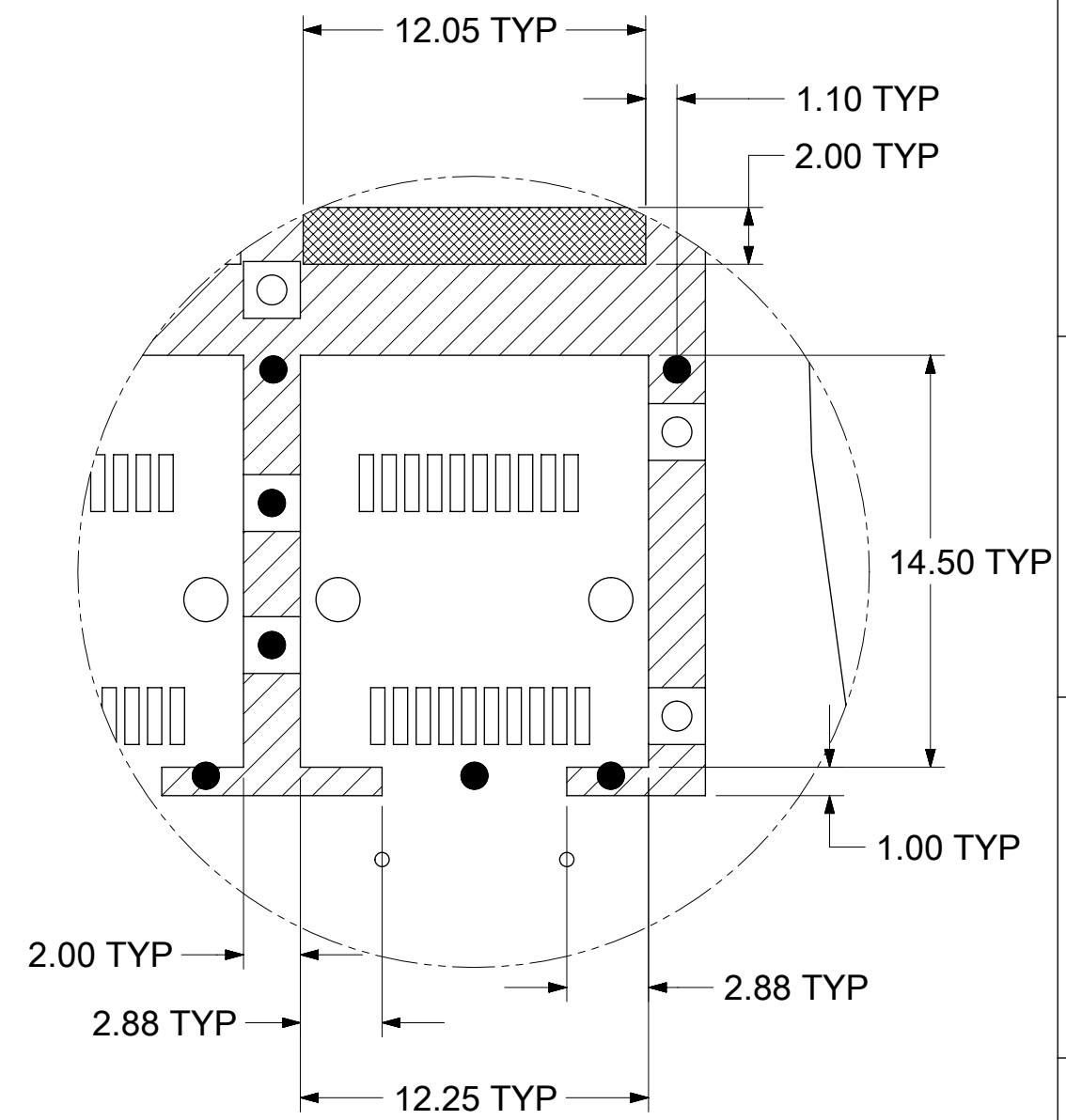
WEEK/YEAR DATE CODE TABLE	
WW	01 THRU 52 OR 53 EXAMPLE: 01 = FIRST WEEK OF YEAR 52 = LAST WEEK OF YEAR
YY	22, 23, 24 ETC. EXAMPLE: YEAR 2022 = 22

FUNCTIONAL SYMBOLS FA = 0 FE = 0 FP = 0	THIS DRAWING CONTAINS INFORMATION THAT IS PROPRIETARY TO MOLEX ELECTRONIC TECHNOLOGIES, LLC AND SHOULD NOT BE USED WITHOUT WRITTEN PERMISSION		CURRENT REV DESC: SEE REVISION TABLE	
	DIMENSION UNITS	SCALE		
	mm	2:1		
	GENERAL TOLERANCES (UNLESS SPECIFIED)			
DIVISIONAL SYMBOLS	ANGULAR TOL	± 2.0°	EC NO: 707054	
	4 PLACES	±	DRWN: ABHILT2	2022/04/07
	3 PLACES	±	CHK'D: TKUMARKC	2022/05/20
	2 PLACES	± 0.13	APPR: SCHIEN	2022/05/23
1 PLACE	± 0.25	INITIAL REVISION:		
0 PLACES	±	DRWN: ABHILT2	2022/04/07	
DRAFT WHERE APPLICABLE MUST REMAIN WITHIN DIMENSIONS		THIRD ANGLE PROJECTION	DRAWING	SERIES
			C-SIZE	100114
DOCUMENT STATUS		DOCUMENT NUMBER	MATERIAL NUMBER	CUSTOMER
P1	RELEASE DATE 2022/05/23 11:20:23	1001148432	1001148432	
		DOC TYPE	DOC PART	REVISION
		PSD	ASY	A
		SHEET NUMBER		1 OF 5

# PCB LAYOUT FOR SINGLE SIDE MOUNT



## HOST CONNECTOR DETAIL



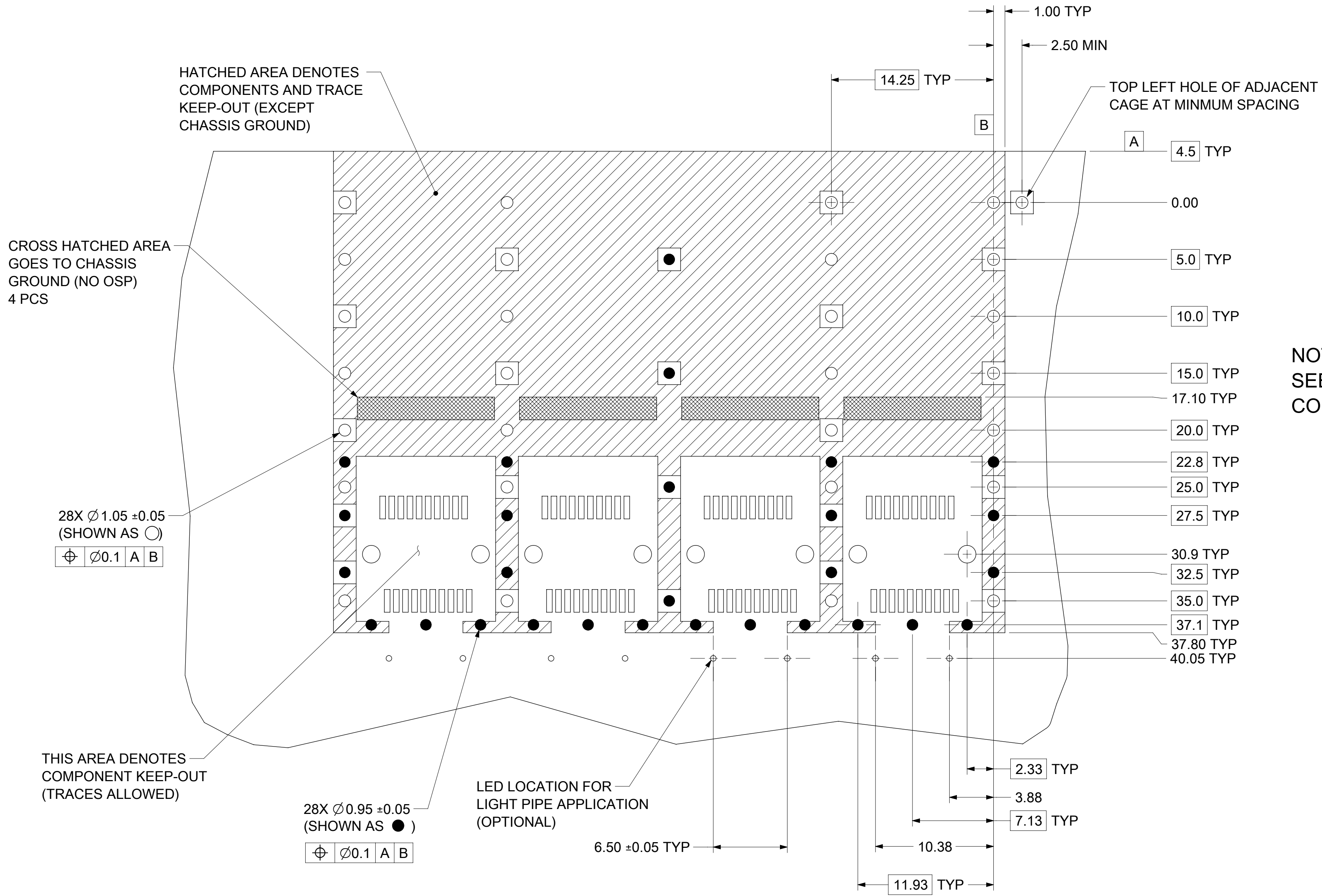
DETAIL A  
SCALE 4:1

### NOTES:

- PADS AND VIAS CONNECT TO CHASSIS GROUND (RECOMMEND PADS TO BE 2.00mm SQUARE)
- RECOMMENDED THRU HOLE PLATING INCLUDES HASL, OSP, OR IMMERSION (GOLD, SILVER, OR TIN).
- CONNECTOR PAD LAYOUT PER SFP+ MSA WILL ACCOMMODATE MOLEX CONNECTOR SERIES 74441 OR EQUIVALENT.
- HOLE PATTERN REPEATS FOR EACH PORT. SPACING BETWEEN PORTS IS 14.25mm.

FUNCTIONAL SYMBOLS		THIS DRAWING CONTAINS INFORMATION THAT IS PROPRIETARY TO MOLEX ELECTRONIC TECHNOLOGIES, LLC AND SHOULD NOT BE USED WITHOUT WRITTEN PERMISSION		CURRENT REV DESC: SEE REVISION TABLE	
$\overline{A}$ = 0	DIMENSION UNITS	SCALE			
$\overline{C}$ = 0	mm	4:1			
$\overline{P}$ = 0	GENERAL TOLERANCES (UNLESS SPECIFIED)				
	ANGULAR TOL $\pm 2.0^\circ$				
DIVISIONAL SYMBOLS		4 PLACES $\pm$		EC NO: 707054	
		3 PLACES $\pm$		DRWN: ABHILT2 2022/04/07	
		2 PLACES $\pm 0.13$		CHK'D: TKUMARKC 2022/05/20	
		1 PLACE $\pm 0.25$		APPR: SCHIEN 2022/05/23	
		0 PLACES $\pm$		INITIAL REVISION:	
DRAFT WHERE APPLICABLE MUST REMAIN WITHIN DIMENSIONS		THIRD ANGLE PROJECTION		DRWN: ABHILT2 2022/04/07	
		DRAWING C-SIZE		APPR: SCHIEN 2022/05/23	
		SERIES 100114		DOCUMENT NUMBER	
		MATERIAL NUMBER 1001148432		DOC TYPE DOC PART REVISION	
		CUSTOMER		1001148432 PSD ASY A	
		SHEET NUMBER		2 OF 5	

# PCB LAYOUT FOR BELLY TO BELLY MOUNTING

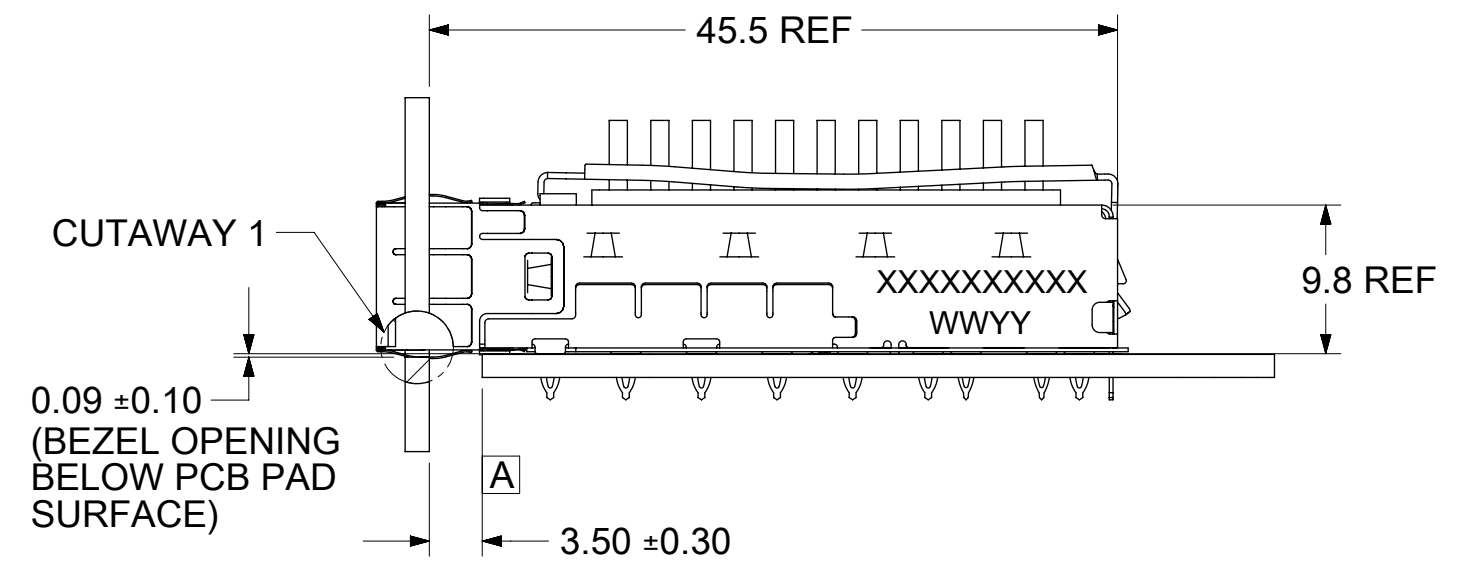
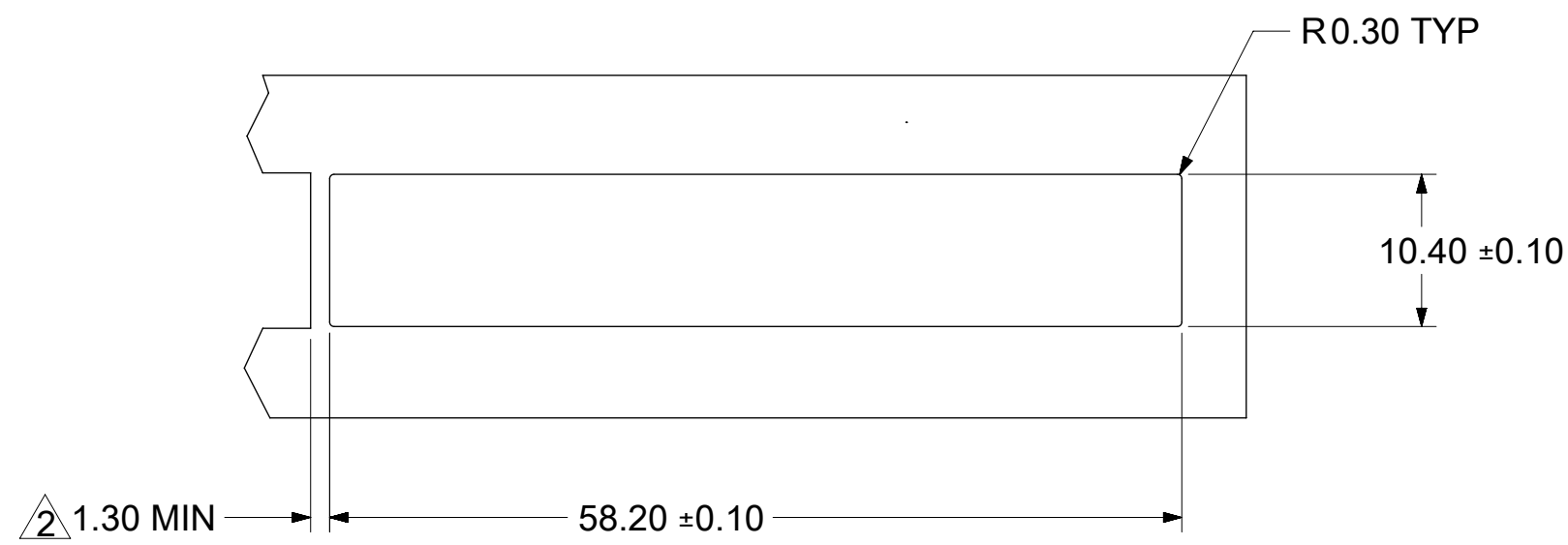


**NOTE:**  
SEE SHEET 2 FOR HOST  
CONNECTOR DETAIL

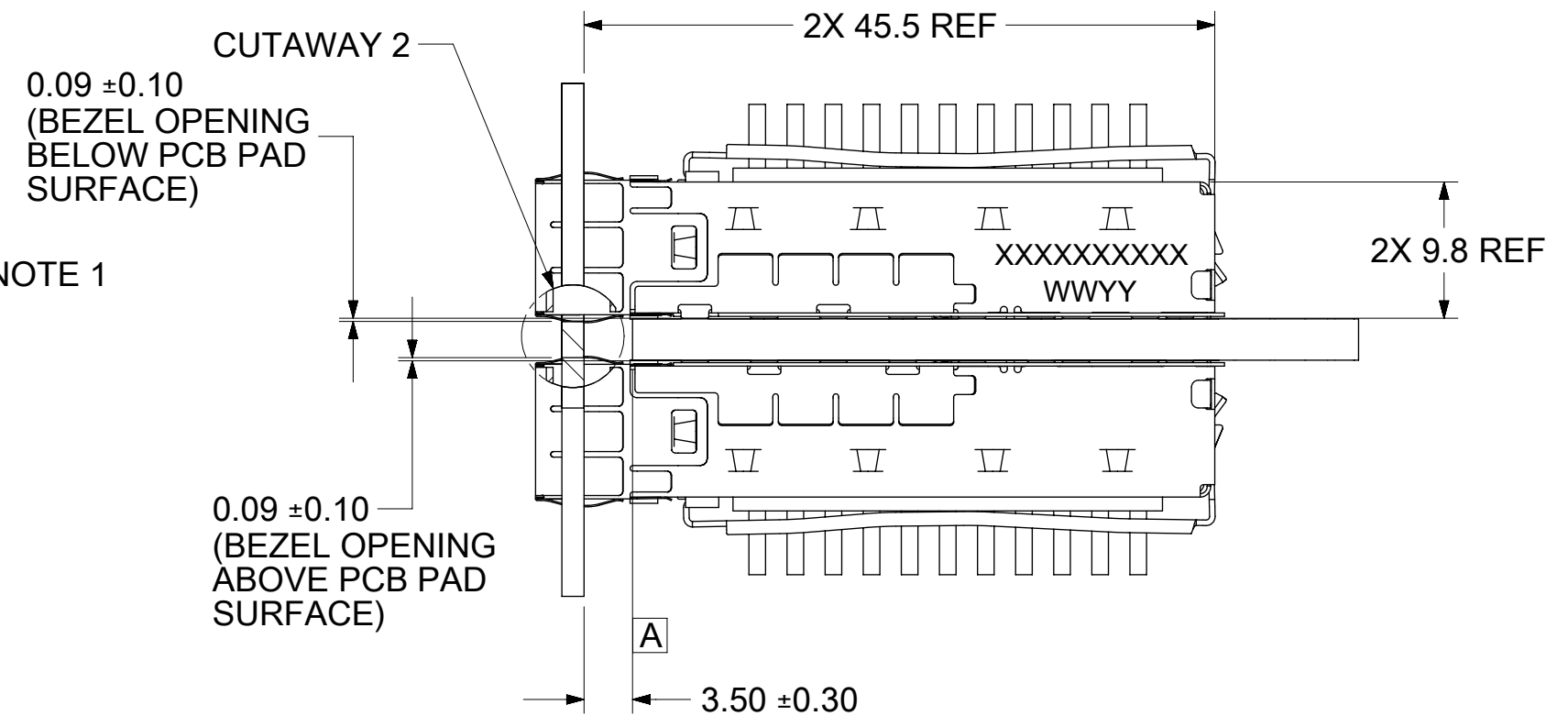
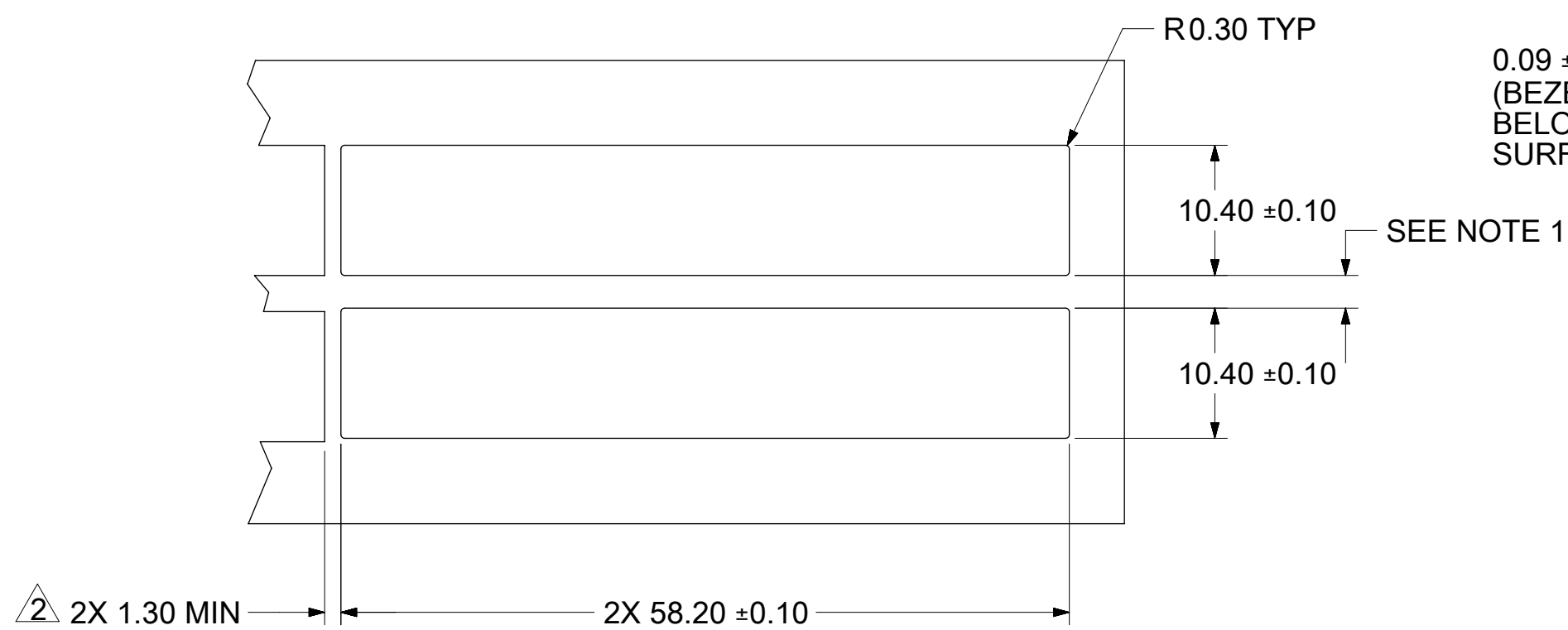
- NOTES:**
1. PADS AND VIAS CONNECT TO CHASSIS GROUND (RECOMMEND PADS TO BE 2.00mm SQUARE)
  2. RECOMMENDED THRU HOLE PLATING INCLUDES HASL, OSP, OR IMMERSION (GOLD, SILVER, OR TIN).
  3. CONNECTOR PAD LAYOUT PER SFP+ MSA WILL ACCOMMODATE MOLEX CONNECTOR SERIES 74441 OR EQUIVALENT.
  4. HOLE PATTERN REPEATS FOR EACH PORT. SPACING BETWEEN PORTS IS 14.25mm.

FUNCTIONAL SYMBOLS		THIS DRAWING CONTAINS INFORMATION THAT IS PROPRIETARY TO MOLEX ELECTRONIC TECHNOLOGIES, LLC AND SHOULD NOT BE USED WITHOUT WRITTEN PERMISSION		CURRENT REV DESC: SEE REVISION TABLE		<b>molex</b>			
$\overline{A} = 0$	mm	SCALE	4:1	EC NO: 707054				ZSFP+ 1X4 CAGE 120 INCH PRESS FIT TYPE, W/SUS SF,UB GASKET & HEAT SINK	
$\overline{C} = 0$	GENERAL TOLERANCES (UNLESS SPECIFIED)		ANGULAR TOL ± 2.0°		DRWN: ABHILT2 2022/04/07		PRODUCT CUSTOMER DRAWING		
$\overline{P} = 0$	4 PLACES ±		3 PLACES ±		CHK'D: TKUMARKC 2022/05/20		DOCUMENT NUMBER		
DIVISIONAL SYMBOLS		2 PLACES ± 0.13		1 PLACE ± 0.25		APPR: SCHIEN 2022/05/23		1001148432	
DRAFT WHERE APPLICABLE MUST REMAIN WITHIN DIMENSIONS		THIRD ANGLE PROJECTION		DRAWING		SERIES		MATERIAL NUMBER	
		C-SIZE		100114		CUSTOMER		1001148432	
						DOC TYPE		DOC PART	
						PSD		ASY	
								REVISION	
								A	
						SHEET NUMBER		3 OF 5	

# BEZEL AND BOARD POSITION DIMENSIONS FOR SINGLE SIDE MOUNTING



# BEZEL AND BOARD POSITION DIMENSIONS FOR BELLY TO BELLY MOUNTING



NOTE:  
 1. PCB THICKNESS VARIATION MUST BE CONSIDERED WHEN DETERMINING BEZEL OPENING LOCATION.  
 2. THIS DIM IS FOR REF ONLY USER CAN MODIFY IT DEPENDS ON APPLICATION, HOLE OF ADJACENT CAGE ON PCB LAYOUT VARIES BASED ON MODIFICATION.

FUNCTIONAL SYMBOLS $\nabla_A = 0$ $\nabla_C = 0$ $\nabla_P = 0$	THIS DRAWING CONTAINS INFORMATION THAT IS PROPRIETARY TO MOLEX ELECTRONIC TECHNOLOGIES, LLC AND SHOULD NOT BE USED WITHOUT WRITTEN PERMISSION		CURRENT REV DESC: SEE REVISION TABLE			
	DIMENSION UNITS	SCALE				ZSFP+ 1X4 CAGE 120 INCH PRESS FIT TYPE, W/SUS SF,UB GASKET & HEAT SINK
	mm	2:1				
	GENERAL TOLERANCES (UNLESS SPECIFIED)				PRODUCT CUSTOMER DRAWING DOCUMENT NUMBER: 1001148432 DOC TYPE: PSD DOC PART: ASY REVISION: A	
ANGULAR TOL ± 2.0°		EC NO: 707054				
4 PLACES ±		DRWN: ABHILT2 2022/04/07				
3 PLACES ±		CHK'D: TKUMARKC 2022/05/20				
2 PLACES ± 0.13		APPR: SCHIEN 2022/05/23				
1 PLACE ± 0.25		INITIAL REVISION:				
0 PLACES ±		DRWN: ABHILT2 2022/04/07				
DRAFT WHERE APPLICABLE MUST REMAIN WITHIN DIMENSIONS		APPR: SCHIEN 2022/05/23				
THIRD ANGLE PROJECTION		DRAWING	SERIES	MATERIAL NUMBER	CUSTOMER	SHEET NUMBER
		C-SIZE	100114	1001148432		4 OF 5

REV	DATE	DESCRIPTION
A	2022/05/20	INITIAL RELEASE

<b>FUNCTIONAL SYMBOLS</b> $\nabla_A = 0$ $\nabla_C = 0$ $\nabla_P = 0$ <b>DIVISIONAL SYMBOLS</b>	THIS DRAWING CONTAINS INFORMATION THAT IS PROPRIETARY TO MOLEX ELECTRONIC TECHNOLOGIES, LLC AND SHOULD NOT BE USED WITHOUT WRITTEN PERMISSION			
	DIMENSION UNITS	SCALE	CURRENT REV DESC: SEE REVISION TABLE	
	mm	1:1		
	GENERAL TOLERANCES (UNLESS SPECIFIED)		EC NO: 707054	
	ANGULAR TOL	$\pm 2.0^\circ$	DRWN: ABHILT2	2022/04/07
4 PLACES	$\pm$	CHK'D: TKUMARKC	2022/05/20	
3 PLACES	$\pm$	APPR: SCHIEN	2022/05/23	
2 PLACES	$\pm 0.13$	INITIAL REVISION:		
1 PLACE	$\pm 0.25$	DRWN: ABHILT2	2022/04/07	
0 PLACES	$\pm$	APPR: SCHIEN	2022/05/23	
DRAFT WHERE APPLICABLE MUST REMAIN WITHIN DIMENSIONS		THIRD ANGLE PROJECTION	DRAWING	SERIES
			C-SIZE	100114
DOCUMENT STATUS		DOC TYPE	DOC PART	REVISION
P1	PSD	ASY	A	
RELEASE DATE	MATERIAL NUMBER	CUSTOMER	SHEET NUMBER	
2022/05/23 11:20:23	1001148432		5 OF 5	



ZSFP+ 1X4 CAGE 120 INCH PRESS FIT TYPE, W/SUS SF,UB GASKET & HEAT SINK

PRODUCT CUSTOMER DRAWING

1001148432

PSD ASY A