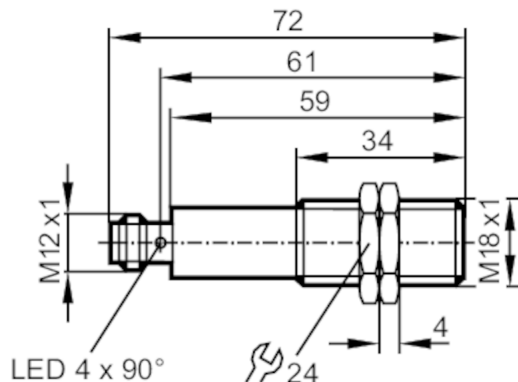


# OGS701



## Through-beam laser sensor transmitter

OGSLOOKG/US100



| Product characteristics                    |              |                     |
|--|--------------|---------------------|
| Type of light                              |              | red light           |
| Laser protection class                     |              | 1                   |
| Housing                                    |              | threaded type       |
| Application                                |              |                     |
| Function principle                         |              | Through-beam sensor |
| Electrical data                            |              |                     |
| Operating voltage                          | [V]          | 10...36 DC          |
| Current consumption                        | [mA]         | 13                  |
| Protection class                           |              | II                  |
| Reverse polarity protection                |              | yes                 |
| Type of light                              |              | red light           |
| Wave length                                | [nm]         | 655                 |
| Typ. lifetime                              | [h]          | 50000               |
| Detection zone                             |              |                     |
| Transmitter / receiver                     |              | transmitter         |
| Range                                      | [m]          | < 2                 |
| Range adjustable                           |              | no                  |
| Diameter of the smallest detectable object | [mm]         | 0.5; (2 m)          |
| Max. light spot diameter                   | [mm]         | 5                   |
| Light spot dimensions refer to             |              | at maximum range    |
| Operating conditions                       |              |                     |
| Ambient temperature                        | [°C]         | -10...60            |
| Protection                                 |              | IP 65; IP 67        |
| Tests / approvals                          |              |                     |
| EMC  | EN 60947-5-2 |                     |
| Laser protection class                     |              | 1                   |

# OGS701



## Through-beam laser sensor transmitter

OGSLOOKG/US100

|                           |              |   |
|---------------------------|--------------|---|
| Notes on laser protection | Caution:     | laser light   |
|                           | laser class: | 1   |
|                           |              | EN / IEC60825-1:2007  |
|                           |              | EN / IEC60825-1:2014  |
|                           |              | Complies with 21 CFR 1040 except for deviations pursuant to Laser Notice No. 50, dated June 2007. |
| MTTF                      | [years]      | 1018  |

| Mechanical data    |      |   |
|--------------------|------|---|
| Weight             | [g]  | 64  |
| Housing            |      | threaded type                             |
| Dimensions         | [mm] | M18 x 1 / L = 72                          |
| Thread designation |      | M18 x 1                                   |
| Materials          |      | stainless steel (1.4404 / 316L); PA; EPDM |
| Lens material      |      | PMMA                                      |

| Displays / operating elements |           |                |
|-------------------------------|-----------|----------------|
| Display                       | operation | 1 x LED, green |

| Accessories    |  |                |
|----------------|--|----------------|
| Items supplied |  | lock nuts: 2 x |

| Remarks       |  |   |
|---------------|--|---|
| Remarks       |  | operating voltage "supply class 2" according to cULus |
| Pack quantity |  | 1 pcs.  |

### Electrical connection

Connector: 1 x M12; coding: A



### Connection

