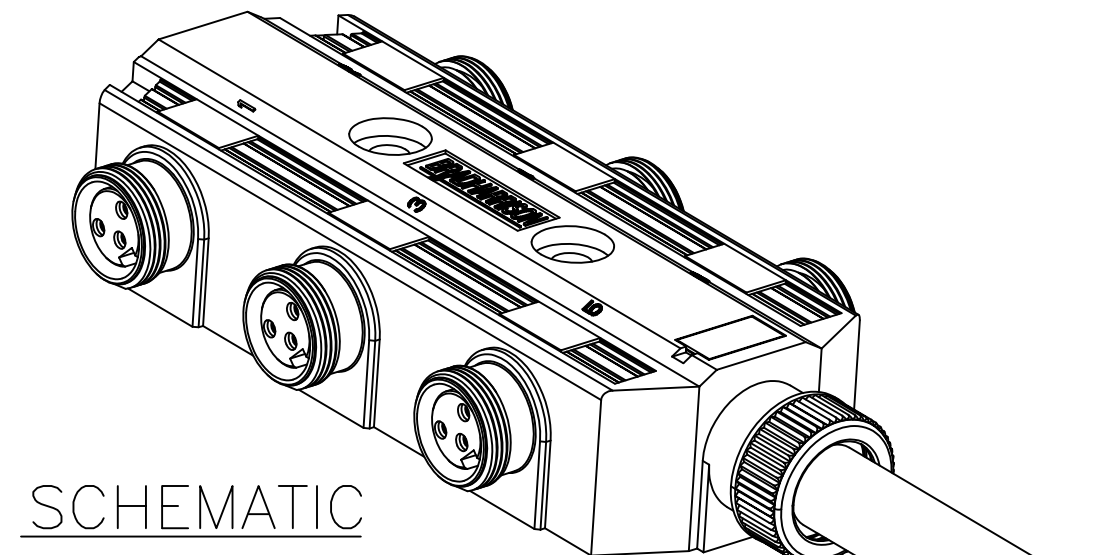
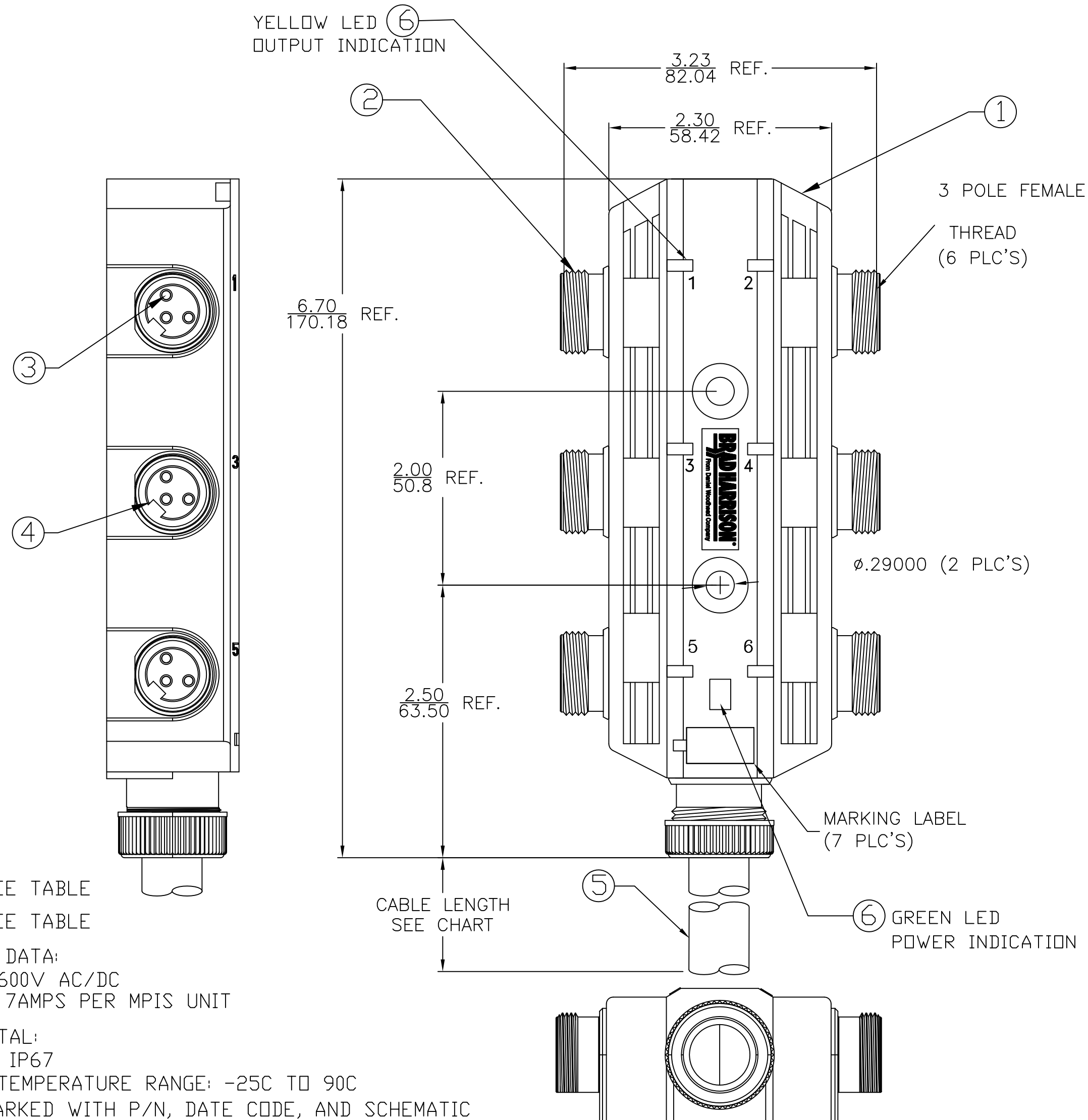
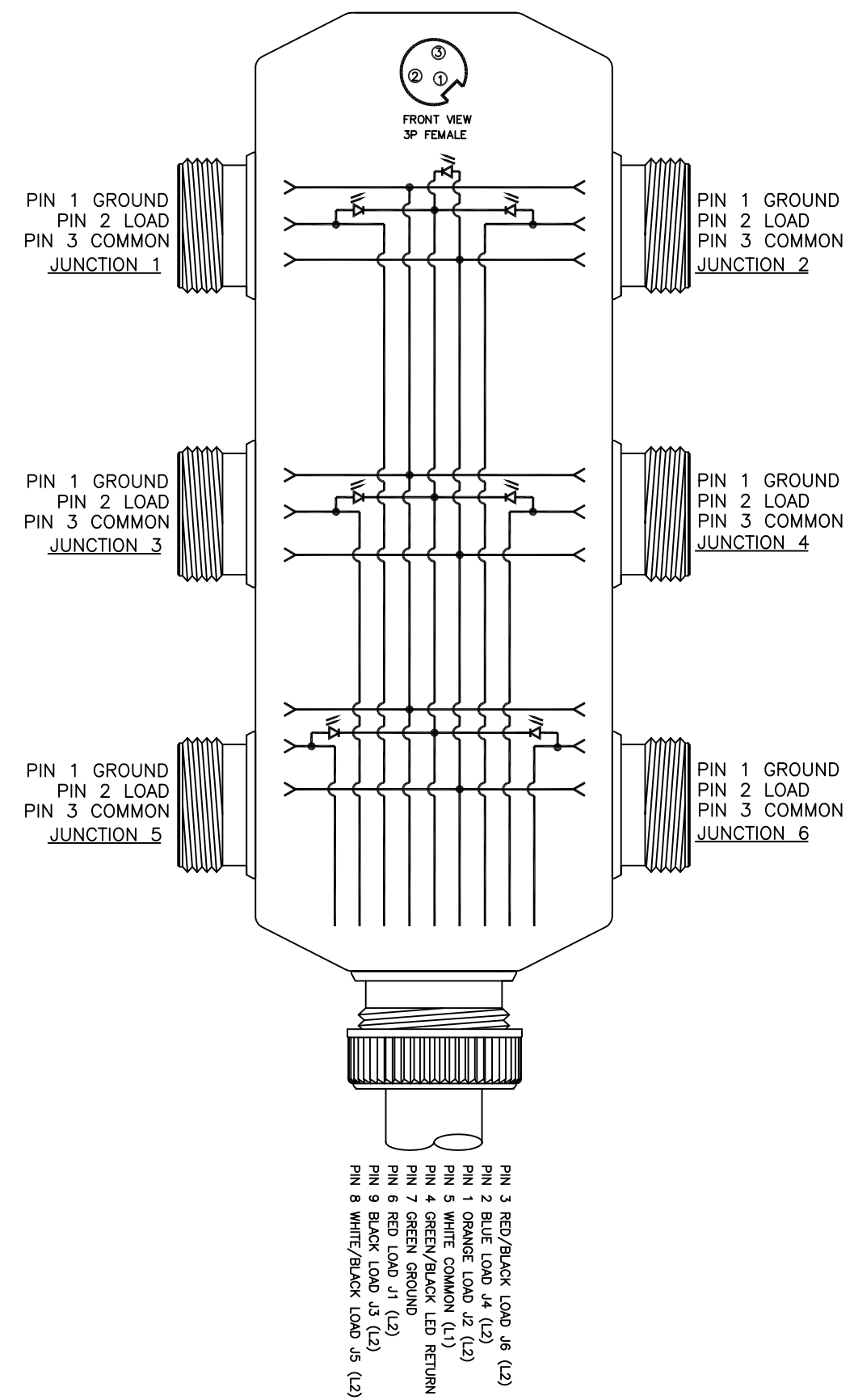


13	12	11	10	9	8	7	6	5	4	3	2	1
<b>MATERIAL NUMBER</b>	<b>ENGINEERING NUMBER</b>	<b>CABLE LENGTH</b>										
1300600025	410P601-20	20.0' +6.50" -0 [6.10M +165.1 -0]										

DIMENSIONAL



SCHEMATIC



NOTES:

- 1) MATERIAL: SEE TABLE
- 2) FINISHES: SEE TABLE
- 3) ELECTRICAL DATA:  
VOLTAGE: 600V AC/DC  
AMPERAGE: 7AMPS PER MPIS UNIT
- 4) ENVIRONMENTAL:  
PROTECTION IP67  
OPERATING TEMPERATURE RANGE: -25C TO 90C
- 5) LABEL IS MARKED WITH P/N, DATE CODE, AND SCHEMATIC
- 6) CERTIFICATION:  
UL: UL RECOGNIZED  
CSA: CSA CERTIFIED

ITEM	QTY.	DESCRIPTION	MATERIAL	FINISH
6	7	LENS	POLYCARBONATE	CLEAR
5	1	CABLE	PVC JACKET	YELLOW
4	6	INSERT	PVC	YELLOW
3	18	SOCKET CONTACT	COPPER ALLOY	GOLD PLATED
2	6	RECEPTACLE SHELL	E-COATED ZINC ALLOY	BLACK
1	1	HOUSING	PBT	YELLOW

EC NO: WNA2010-0456 DRWN: TWOLDEGE 2010/01/25 CH'KD: BWOODMAN APPR: JFMURPHY 2010/01/29 RELEASE	QUALITY SYMBOL	DESCRIPTION
	▽=0	
	∇=0	
	REV	A

GENERAL TOLERANCES (UNLESS SPECIFIED)	
	mm INCH
4 PLACES	±--- ±---
3 PLACES	±--- ±.005
2 PLACES	±0.13 ±.010
1 PLACE	±0.25 ±.020
ANGULAR ±1/2°	
DRAFT WHERE APPLICABLE MUST REMAIN WITHIN DIMENSIONS	

DIMENSION STYLE		SCALE	DESIGN UNITS	THIRD ANGLE PROJECTION
----		1:1	INCH	
DRAWN BY	DATE	TITLE		
----	----	6PORT S. MOUNT MPIS LED 6PORT 3-POLE FEMALE W/ MOLDED HOME RUN CONN.		
CHECKED BY	DATE	MOLEX INCORPORATED		
BWOODMAN	----	SD-130060-009		
APPROVED BY	DATE	SHEET NO. 1 OF 1		
JFMURPHY	2010/01/29			
MATERIAL NO.		DOCUMENT NO.		
SEE CHART				
SIZE C	THIS DRAWING CONTAINS INFORMATION THAT IS PROPRIETARY TO MOLEX INCORPORATED AND SHOULD NOT BE USED WITHOUT WRITTEN PERMISSION			