

TECHNICAL SPECIFICATIONS

Material: Zinc
 Plating: Nickel
 Operating Temperature: -25°C to +90°C
 Thumbscrews: UNC 4-40

Max cable ØF:
 With Rubber Grommet: 6.5mm
 W/O Rubber Grommet: 9.5mm

No. of contacts: 09-15-25-37

Item	QTY	Part description
1	4	Screw
2	1	Upper hood
3	1	Cable clamp
4	1	Rubber grommet
5	1	Plastic Insert
6	2	Jackscrew UNC4-40
7	1	Latch-1
8	1	Latch-2
9	1	Lower hood

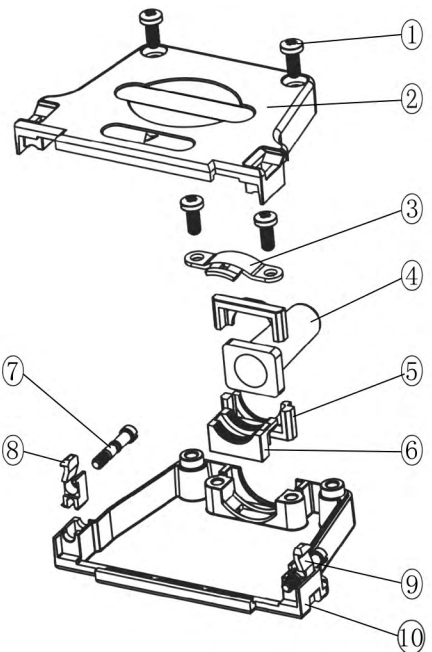
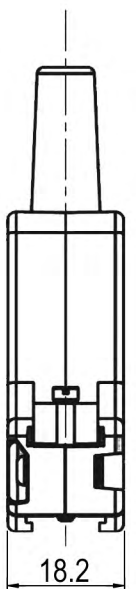
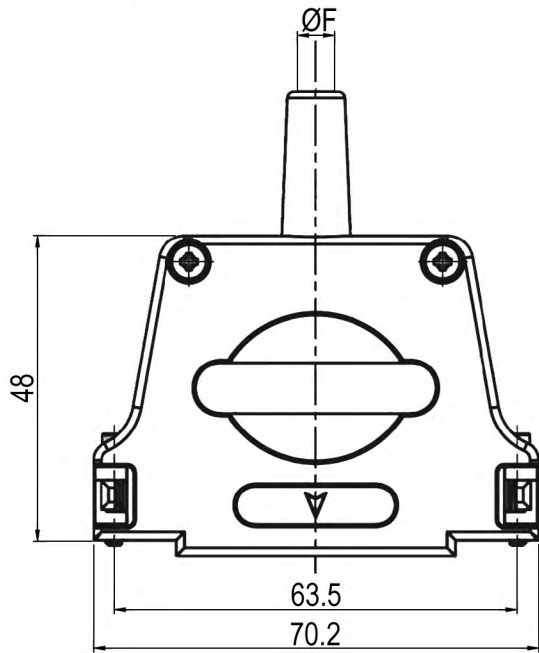
RoHS compliant
 Unit: mm

Scale	Free				Date	Name	Customer-No.	
TOLERANCE					Drawn	17.08.2017	S.Bölling	
0~6	±0.10				Approved	17.08.2017	S.Bölling	
6~30	±0.20							
30~120	±0.30							
120~400	±0.50							
DIM	Tol							
Angle	±1°	Ⓢ	Drawn	17.08.2017				S.Bölling
Angle	Tol	Id.	Modification	Date				Name

Customer-No.		
ASSMANN WSW-No.		ACOVSUB-09MB42
Drawing-No.		ASS_5283_CO
Replace		rev00
		Sheet 1/4

	1	2	3	4	5	6	7																																
A						<p>TECHNICAL SPECIFICATIONS</p> <p>Material: Zinc Plating: Nickel Operating Temperature: -25°C to +90°C Thumbscrews: UNC 4-40</p> <p>Max cable ØF: With Rubber Grommet: 6.5mm W/O Rubber Grommet: 12.5mm</p> <p>No. of contacts: 09-15-25-37</p>		A																															
B								B																															
C								C																															
D								D																															
E	<table border="1"> <thead> <tr> <th>Item</th> <th>QTY</th> <th>Part description</th> </tr> </thead> <tbody> <tr><td>1</td><td>4</td><td>Screw</td></tr> <tr><td>2</td><td>1</td><td>Upper hood</td></tr> <tr><td>3</td><td>1</td><td>Cable clamp</td></tr> <tr><td>4</td><td>1</td><td>Rubber grommet</td></tr> <tr><td>5</td><td>2</td><td>Reduction plate</td></tr> <tr><td>6</td><td>1</td><td>Plastic Insert</td></tr> <tr><td>7</td><td>2</td><td>Jackscrew UNC4-40</td></tr> <tr><td>8</td><td>1</td><td>Latch-1</td></tr> <tr><td>9</td><td>1</td><td>Latch-2</td></tr> <tr><td>10</td><td>1</td><td>Lower hood</td></tr> </tbody> </table>					Item	QTY	Part description	1	4	Screw	2	1	Upper hood	3	1	Cable clamp	4	1	Rubber grommet	5	2	Reduction plate	6	1	Plastic Insert	7	2	Jackscrew UNC4-40	8	1	Latch-1	9	1	Latch-2	10	1	Lower hood	E
Item	QTY	Part description																																					
1	4	Screw																																					
2	1	Upper hood																																					
3	1	Cable clamp																																					
4	1	Rubber grommet																																					
5	2	Reduction plate																																					
6	1	Plastic Insert																																					
7	2	Jackscrew UNC4-40																																					
8	1	Latch-1																																					
9	1	Latch-2																																					
10	1	Lower hood																																					
F	<p>RoHS compliant Unit: mm</p>					<table border="1"> <thead> <tr> <th>Scale</th> <th>Free</th> <th>Date</th> <th>Name</th> <th>Customer-No.</th> </tr> </thead> <tbody> <tr> <td>TOLERANCE</td> <td></td> <td>Drawn</td> <td>17.08.2017</td> <td>S.Bölling</td> </tr> <tr> <td>0~6</td> <td>±0.10</td> <td>Approved</td> <td>17.08.2017</td> <td>S.Bölling</td> </tr> <tr> <td>6~30</td> <td>±0.20</td> <td></td> <td></td> <td></td> </tr> <tr> <td>30~120</td> <td>±0.30</td> <td></td> <td></td> <td></td> </tr> <tr> <td>120~400</td> <td>±0.50</td> <td></td> <td></td> <td></td> </tr> </tbody> </table>		Scale	Free	Date	Name	Customer-No.	TOLERANCE		Drawn	17.08.2017	S.Bölling	0~6	±0.10	Approved	17.08.2017	S.Bölling	6~30	±0.20				30~120	±0.30				120~400	±0.50				F	
Scale	Free	Date	Name	Customer-No.																																			
TOLERANCE		Drawn	17.08.2017	S.Bölling																																			
0~6	±0.10	Approved	17.08.2017	S.Bölling																																			
6~30	±0.20																																						
30~120	±0.30																																						
120~400	±0.50																																						
G	<table border="1"> <thead> <tr> <th>DIM</th> <th>Tol</th> <th>Drawn</th> <th>Date</th> <th>Name</th> </tr> </thead> <tbody> <tr> <td>Angle</td> <td>±1°</td> <td>© Drawn</td> <td>17.08.2017</td> <td>S.Bölling</td> </tr> <tr> <td>Angle</td> <td>Tol</td> <td>Id.</td> <td>Modification</td> <td>Date</td> </tr> </tbody> </table>					DIM	Tol	Drawn	Date	Name	Angle	±1°	© Drawn	17.08.2017	S.Bölling	Angle	Tol	Id.	Modification	Date	<table border="1"> <thead> <tr> <th>Drawing-No.</th> <th>rev</th> </tr> </thead> <tbody> <tr> <td>ASS_5283_CO</td> <td>rev00</td> </tr> </tbody> </table>		Drawing-No.	rev	ASS_5283_CO	rev00	G												
DIM	Tol	Drawn	Date	Name																																			
Angle	±1°	© Drawn	17.08.2017	S.Bölling																																			
Angle	Tol	Id.	Modification	Date																																			
Drawing-No.	rev																																						
ASS_5283_CO	rev00																																						
H						<table border="1"> <thead> <tr> <th>Replace</th> <th>Sheet</th> </tr> </thead> <tbody> <tr> <td>Replace</td> <td>2/4</td> </tr> </tbody> </table>		Replace	Sheet	Replace	2/4	H																											
Replace	Sheet																																						
Replace	2/4																																						
	1	2	3	4	5	6	7	SV4382																															

	1	2	3	4	5	6	7																																																																														
A							<p>TECHNICAL SPECIFICATIONS</p> <p>Material: Zinc Plating: Nickel Operating Temperature: -25°C to +90°C Thumbscrews: UNC 4-40</p> <p>Max cable ØF: With Rubber Grommet: 8mm W/O Rubber Grommet: 12.5mm</p> <p>No. of contacts: 09-15-25-37</p>	A																																																																													
B								B																																																																													
C								C																																																																													
D								D																																																																													
E								E																																																																													
F	<table border="1"> <thead> <tr> <th>Item</th> <th>QTY</th> <th>Part description</th> </tr> </thead> <tbody> <tr> <td>1</td> <td>4</td> <td>Screw</td> </tr> <tr> <td>2</td> <td>1</td> <td>Upper hood</td> </tr> <tr> <td>3</td> <td>1</td> <td>Cable clamp</td> </tr> <tr> <td>4</td> <td>1</td> <td>Rubber grommet</td> </tr> <tr> <td>5</td> <td>2</td> <td>Reduction plate</td> </tr> <tr> <td>6</td> <td>1</td> <td>Plastic Insert</td> </tr> <tr> <td>7</td> <td>2</td> <td>Jackscrew UNC4-40</td> </tr> <tr> <td>8</td> <td>1</td> <td>Latch-1</td> </tr> <tr> <td>9</td> <td>1</td> <td>Latch-2</td> </tr> <tr> <td>10</td> <td>1</td> <td>Lower hood</td> </tr> </tbody> </table>						Item	QTY	Part description	1	4	Screw	2	1	Upper hood	3	1	Cable clamp	4	1	Rubber grommet	5	2	Reduction plate	6	1	Plastic Insert	7	2	Jackscrew UNC4-40	8	1	Latch-1	9	1	Latch-2	10	1	Lower hood	F																																													
Item	QTY	Part description																																																																																			
1	4	Screw																																																																																			
2	1	Upper hood																																																																																			
3	1	Cable clamp																																																																																			
4	1	Rubber grommet																																																																																			
5	2	Reduction plate																																																																																			
6	1	Plastic Insert																																																																																			
7	2	Jackscrew UNC4-40																																																																																			
8	1	Latch-1																																																																																			
9	1	Latch-2																																																																																			
10	1	Lower hood																																																																																			
G	<p>RoHS compliant Unit: mm</p> <table border="1"> <thead> <tr> <th>Scale</th> <th>Free</th> <th></th> <th></th> <th></th> <th></th> <th>Date</th> <th>Name</th> <th>Customer-No.</th> </tr> </thead> <tbody> <tr> <td colspan="2">TOLERANCE</td> <td></td> <td></td> <td></td> <td></td> <td>Drawn</td> <td>17.08.2017</td> <td>S.Bölling</td> <td rowspan="4">ASSMANN WSW-No. ACOV-SUB-25MB42</td> </tr> <tr> <td>0~6</td> <td>±0.10</td> <td></td> <td></td> <td></td> <td></td> <td>Approved</td> <td>17.08.2017</td> <td>S.Bölling</td> </tr> <tr> <td>6~30</td> <td>±0.20</td> <td></td> <td></td> <td></td> <td></td> <td></td> <td></td> <td></td> </tr> <tr> <td>30~120</td> <td>±0.30</td> <td></td> <td></td> <td></td> <td></td> <td></td> <td></td> <td></td> </tr> <tr> <td>120~400</td> <td>±0.50</td> <td></td> <td></td> <td></td> <td></td> <td></td> <td></td> <td></td> <td>Drawing-No.</td> </tr> <tr> <td>DIM</td> <td>Tol</td> <td></td> <td></td> <td></td> <td></td> <td colspan="2" rowspan="3"> </td> <td rowspan="3"> ASS_5283_CO rev00 </td> <td rowspan="3"> Sheet 3/4 </td> </tr> <tr> <td>Angle</td> <td>±1°</td> <td>©</td> <td>Drawn</td> <td>17.08.2017</td> <td>S.Bölling</td> </tr> <tr> <td>Angle</td> <td>Tol</td> <td>Id.</td> <td>Modification</td> <td>Date</td> <td>Name</td> </tr> </tbody> </table>						Scale	Free					Date	Name	Customer-No.	TOLERANCE						Drawn	17.08.2017	S.Bölling	ASSMANN WSW-No. ACOV-SUB-25MB42	0~6	±0.10					Approved	17.08.2017	S.Bölling	6~30	±0.20								30~120	±0.30								120~400	±0.50								Drawing-No.	DIM	Tol							ASS_5283_CO rev00	Sheet 3/4	Angle	±1°	©	Drawn	17.08.2017	S.Bölling	Angle	Tol	Id.	Modification	Date	Name	G
Scale	Free					Date	Name	Customer-No.																																																																													
TOLERANCE						Drawn	17.08.2017	S.Bölling	ASSMANN WSW-No. ACOV-SUB-25MB42																																																																												
0~6	±0.10					Approved	17.08.2017	S.Bölling																																																																													
6~30	±0.20																																																																																				
30~120	±0.30																																																																																				
120~400	±0.50								Drawing-No.																																																																												
DIM	Tol							ASS_5283_CO rev00	Sheet 3/4																																																																												
Angle	±1°	©	Drawn	17.08.2017	S.Bölling																																																																																
Angle	Tol	Id.	Modification	Date	Name																																																																																
H	<table border="1"> <thead> <tr> <th>Scale</th> <th>Free</th> <th></th> <th></th> <th></th> <th></th> <th>Date</th> <th>Name</th> <th>Customer-No.</th> </tr> </thead> <tbody> <tr> <td colspan="2">TOLERANCE</td> <td></td> <td></td> <td></td> <td></td> <td>Drawn</td> <td>17.08.2017</td> <td>S.Bölling</td> <td rowspan="4">ASSMANN WSW-No. ACOV-SUB-25MB42</td> </tr> <tr> <td>0~6</td> <td>±0.10</td> <td></td> <td></td> <td></td> <td></td> <td>Approved</td> <td>17.08.2017</td> <td>S.Bölling</td> </tr> <tr> <td>6~30</td> <td>±0.20</td> <td></td> <td></td> <td></td> <td></td> <td></td> <td></td> <td></td> </tr> <tr> <td>30~120</td> <td>±0.30</td> <td></td> <td></td> <td></td> <td></td> <td></td> <td></td> <td></td> </tr> <tr> <td>120~400</td> <td>±0.50</td> <td></td> <td></td> <td></td> <td></td> <td></td> <td></td> <td></td> <td>Drawing-No.</td> </tr> <tr> <td>DIM</td> <td>Tol</td> <td></td> <td></td> <td></td> <td></td> <td colspan="2" rowspan="3"> </td> <td rowspan="3"> ASS_5283_CO rev00 </td> <td rowspan="3"> Sheet 3/4 </td> </tr> <tr> <td>Angle</td> <td>±1°</td> <td>©</td> <td>Drawn</td> <td>17.08.2017</td> <td>S.Bölling</td> </tr> <tr> <td>Angle</td> <td>Tol</td> <td>Id.</td> <td>Modification</td> <td>Date</td> <td>Name</td> </tr> </tbody> </table>						Scale	Free					Date	Name	Customer-No.	TOLERANCE						Drawn	17.08.2017	S.Bölling	ASSMANN WSW-No. ACOV-SUB-25MB42	0~6	±0.10					Approved	17.08.2017	S.Bölling	6~30	±0.20								30~120	±0.30								120~400	±0.50								Drawing-No.	DIM	Tol							ASS_5283_CO rev00	Sheet 3/4	Angle	±1°	©	Drawn	17.08.2017	S.Bölling	Angle	Tol	Id.	Modification	Date	Name	H
Scale	Free					Date	Name	Customer-No.																																																																													
TOLERANCE						Drawn	17.08.2017	S.Bölling	ASSMANN WSW-No. ACOV-SUB-25MB42																																																																												
0~6	±0.10					Approved	17.08.2017	S.Bölling																																																																													
6~30	±0.20																																																																																				
30~120	±0.30																																																																																				
120~400	±0.50								Drawing-No.																																																																												
DIM	Tol							ASS_5283_CO rev00	Sheet 3/4																																																																												
Angle	±1°	©	Drawn	17.08.2017	S.Bölling																																																																																
Angle	Tol	Id.	Modification	Date	Name																																																																																
	1	2	3	4	5	6	7	SV4382																																																																													

	1	2	3	4	5	6	7																																			
A							<p>TECHNICAL SPECIFICATIONS</p> <p>Material: Zinc Plating: Nickel Operating Temperature: -25°C to +90°C Thumbscrews: UNC 4-40</p> <p>Max cable ØF: With Rubber Grommet: 9mm W/O Rubber Grommet: 15mm</p> <p>No. of contacts: 09-15-25-37</p>		A																																	
B									B																																	
C									C																																	
D									D																																	
E	<table border="1"> <thead> <tr> <th>Item</th> <th>QTY</th> <th>Part description</th> </tr> </thead> <tbody> <tr> <td>1</td> <td>4</td> <td>Screw</td> </tr> <tr> <td>2</td> <td>1</td> <td>Upper hood</td> </tr> <tr> <td>3</td> <td>1</td> <td>Cable clamp</td> </tr> <tr> <td>4</td> <td>2</td> <td>Rubber grommet</td> </tr> <tr> <td>5</td> <td>1</td> <td>Reduction plate</td> </tr> <tr> <td>6</td> <td>1</td> <td>Plastic Insert</td> </tr> <tr> <td>7</td> <td>2</td> <td>Jackscrew UNC4-40</td> </tr> <tr> <td>8</td> <td>1</td> <td>Latch-1</td> </tr> <tr> <td>9</td> <td>1</td> <td>Latch-2</td> </tr> <tr> <td>10</td> <td>1</td> <td>Lower hood</td> </tr> </tbody> </table>						Item	QTY	Part description	1	4	Screw	2	1	Upper hood	3	1	Cable clamp	4	2	Rubber grommet	5	1	Reduction plate	6	1	Plastic Insert	7	2	Jackscrew UNC4-40	8	1	Latch-1	9	1	Latch-2	10	1	Lower hood			E
Item	QTY	Part description																																								
1	4	Screw																																								
2	1	Upper hood																																								
3	1	Cable clamp																																								
4	2	Rubber grommet																																								
5	1	Reduction plate																																								
6	1	Plastic Insert																																								
7	2	Jackscrew UNC4-40																																								
8	1	Latch-1																																								
9	1	Latch-2																																								
10	1	Lower hood																																								
F									F																																	
G	<p>RoHS compliant Unit: mm</p>						<table border="1"> <thead> <tr> <th>Scale</th> <th>Free</th> <th>Date</th> <th>Name</th> <th>Customer-No.</th> </tr> </thead> <tbody> <tr> <td>TOLERANCE</td> <td></td> <td>Drawn</td> <td>17.08.2017</td> <td>S.Bölling</td> </tr> <tr> <td>0~6</td> <td>±0.10</td> <td>Approved</td> <td>17.08.2017</td> <td>S.Bölling</td> </tr> <tr> <td>6~30</td> <td>±0.20</td> <td></td> <td></td> <td></td> </tr> <tr> <td>30~120</td> <td>±0.30</td> <td></td> <td></td> <td></td> </tr> <tr> <td>120~400</td> <td>±0.50</td> <td></td> <td></td> <td></td> </tr> </tbody> </table>		Scale	Free	Date	Name	Customer-No.	TOLERANCE		Drawn	17.08.2017	S.Bölling	0~6	±0.10	Approved	17.08.2017	S.Bölling	6~30	±0.20				30~120	±0.30				120~400	±0.50				G			
Scale	Free	Date	Name	Customer-No.																																						
TOLERANCE		Drawn	17.08.2017	S.Bölling																																						
0~6	±0.10	Approved	17.08.2017	S.Bölling																																						
6~30	±0.20																																									
30~120	±0.30																																									
120~400	±0.50																																									
H	<table border="1"> <thead> <tr> <th>DIM</th> <th>Tol</th> <th>Drawn</th> <th>Date</th> <th>Name</th> </tr> </thead> <tbody> <tr> <td>Angle</td> <td>±1°</td> <td>© Drawn</td> <td>17.08.2017</td> <td>S.Bölling</td> </tr> <tr> <td>Angle</td> <td>Tol</td> <td>Id.</td> <td>Modification</td> <td>Date</td> </tr> </tbody> </table>						DIM	Tol	Drawn	Date	Name	Angle	±1°	© Drawn	17.08.2017	S.Bölling	Angle	Tol	Id.	Modification	Date	<p>ASSMANN WSW components</p> <p>Drawing-No. ASS_5283_CO rev00 Replace Sheet 4/4</p>		H																		
DIM	Tol	Drawn	Date	Name																																						
Angle	±1°	© Drawn	17.08.2017	S.Bölling																																						
Angle	Tol	Id.	Modification	Date																																						
	1	2	3	4	5	6	7	SV4382																																		