


Sensor/actuator T-connectors - SAC-4P-MINT/2XMIN VP - 1433757

Please be informed that the data shown in this PDF Document is generated from our Online Catalog. Please find the complete data in the user's documentation. Our General Terms of Use for Downloads are valid (<http://phoenixcontact.com/download>)

T-distributor, 4-pos., 7/8"-16UNF socket on 7/8"-16UNF socket and 7/8"-16UNF plug



Key Commercial Data

Packing unit	1 pc
GTIN	 4 046356 347709
GTIN	4046356347709
Weight per Piece (excluding packing)	1.000 g
Custom tariff number	85366990
Country of origin	Germany

Technical data

Ambient conditions

Ambient temperature (operation)	-40 °C ... 105 °C
Degree of protection	IP67

General

Rated current at 40°C	13 A
Rated voltage	600 V
Number of positions	4
Insulation resistance	≥ 10 MΩ
Status display	No
Overvoltage category	II
Degree of pollution	3

Sensor/actuator T-connectors - SAC-4P-MINT/2XMIN VP - 1433757

Technical data

Material

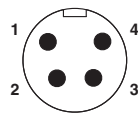
Flammability rating according to UL 94	HB
Contact material	CuZn
Contact surface material	AU
Contact carrier material	PA 6.6
Material of grip body	TPU
Material, knurls	Zinc die-cast, nickel-plated

Environmental Product Compliance

REACH SVHC	Lead 7439-92-1
China RoHS	Environmentally Friendly Use Period = 50 years
	For details about hazardous substances go to tab "Downloads", Category "Manufacturer's declaration"

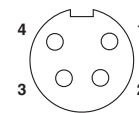
Drawings

Schematic diagram



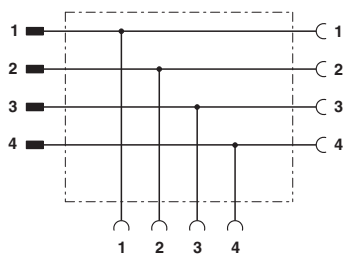
Pin assignment, plug, 7/8"-16UNF, 4-pos., view of male side

Schematic diagram



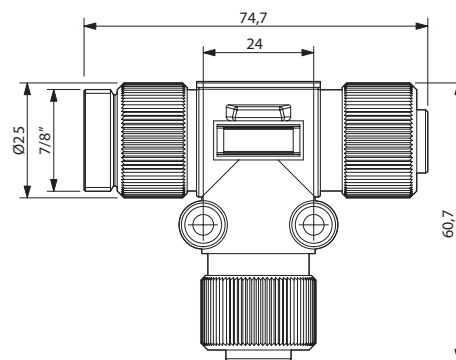
Pin assignment, socket, 7/8"-16UNF, 4-pos., view of female side

Circuit diagram



Contact assignment of the 7/8" T-distributor

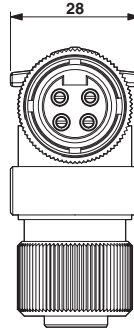
Dimensional drawing



T-distributor 7/8", top view

Sensor/actuator T-connectors - SAC-4P-MINT/2XMIN VP - 1433757

Dimensional drawing



T-distributor 7/8", lateral view

Classifications

eCl@ss

eCl@ss 10.0.1	27061801
eCl@ss 11.0	27061801
eCl@ss 4.0	24010400
eCl@ss 4.1	24010400
eCl@ss 5.0	19030300
eCl@ss 5.1	19030300
eCl@ss 6.0	27061800
eCl@ss 7.0	27061801
eCl@ss 9.0	27061801

ETIM

ETIM 4.0	EC001855
ETIM 6.0	EC000830
ETIM 7.0	EC003249

UNSPSC

UNSPSC 6.01	31251501
UNSPSC 7.0901	31251501
UNSPSC 11	31251501
UNSPSC 12.01	31251501
UNSPSC 13.2	26121604
UNSPSC 18.0	26121604
UNSPSC 19.0	26121604
UNSPSC 20.0	26121604
UNSPSC 21.0	26121604

Sensor/actuator T-connectors - SAC-4P-MINT/2XMIN VP - 1433757

Approvals

Approvals

Approvals

UL Listed / cUL Listed / EAC / EAC / cULus Listed

Ex Approvals

Approval details

UL Listed		http://database.ul.com/cgi-bin/XYV/template/LISEXT/1FRAME/index.htm	FILE E 221474
Nominal voltage UN		600 V	
Nominal current IN		10 A	

cUL Listed		http://database.ul.com/cgi-bin/XYV/template/LISEXT/1FRAME/index.htm	FILE E 221474
Nominal voltage UN		600 V	
Nominal current IN		10 A	

EAC		EAC-Zulassung
-----	--	---------------

EAC		RU C- DE.BL08.B.00511
-----	--	--------------------------

cULus Listed		
--------------	--	--

Accessories

Accessories

Sensor/actuator T-connectors - SAC-4P-MINT/2XMIN VP - 1433757

Accessories

Terminal marking

Zack Marker strip, flat - ZBF 17:UNBEDRUCKT - 0815020



Zack Marker strip, flat, Strip, white, unlabeled, can be labeled with: PLOTMARK, CMS-P1-PLOTTER, mounting type: snapped, for terminal block width: 17 mm, lettering field size: 17 x 5.2 mm, Number of individual labels: 5