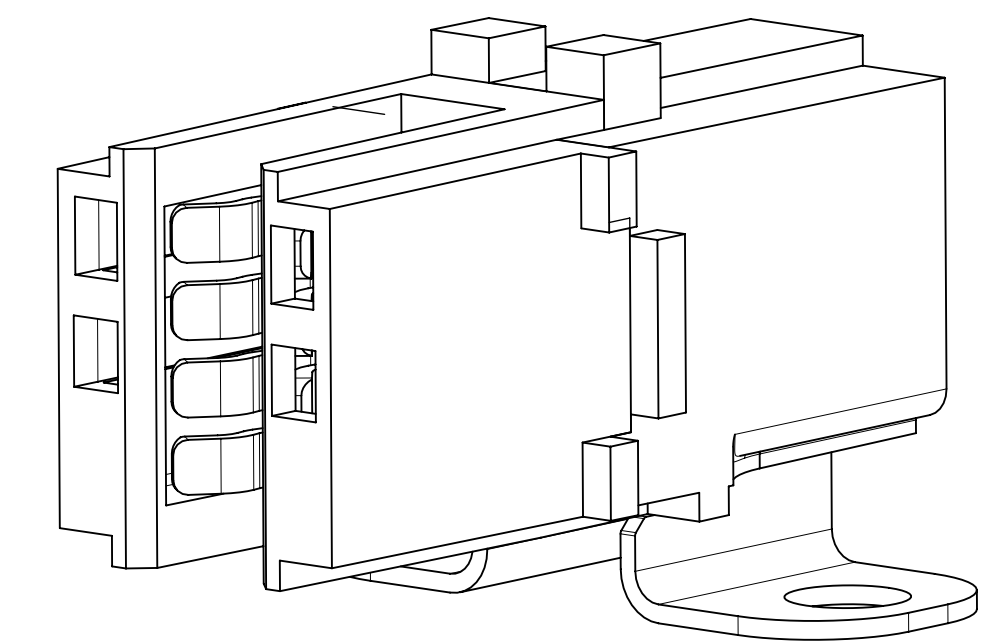
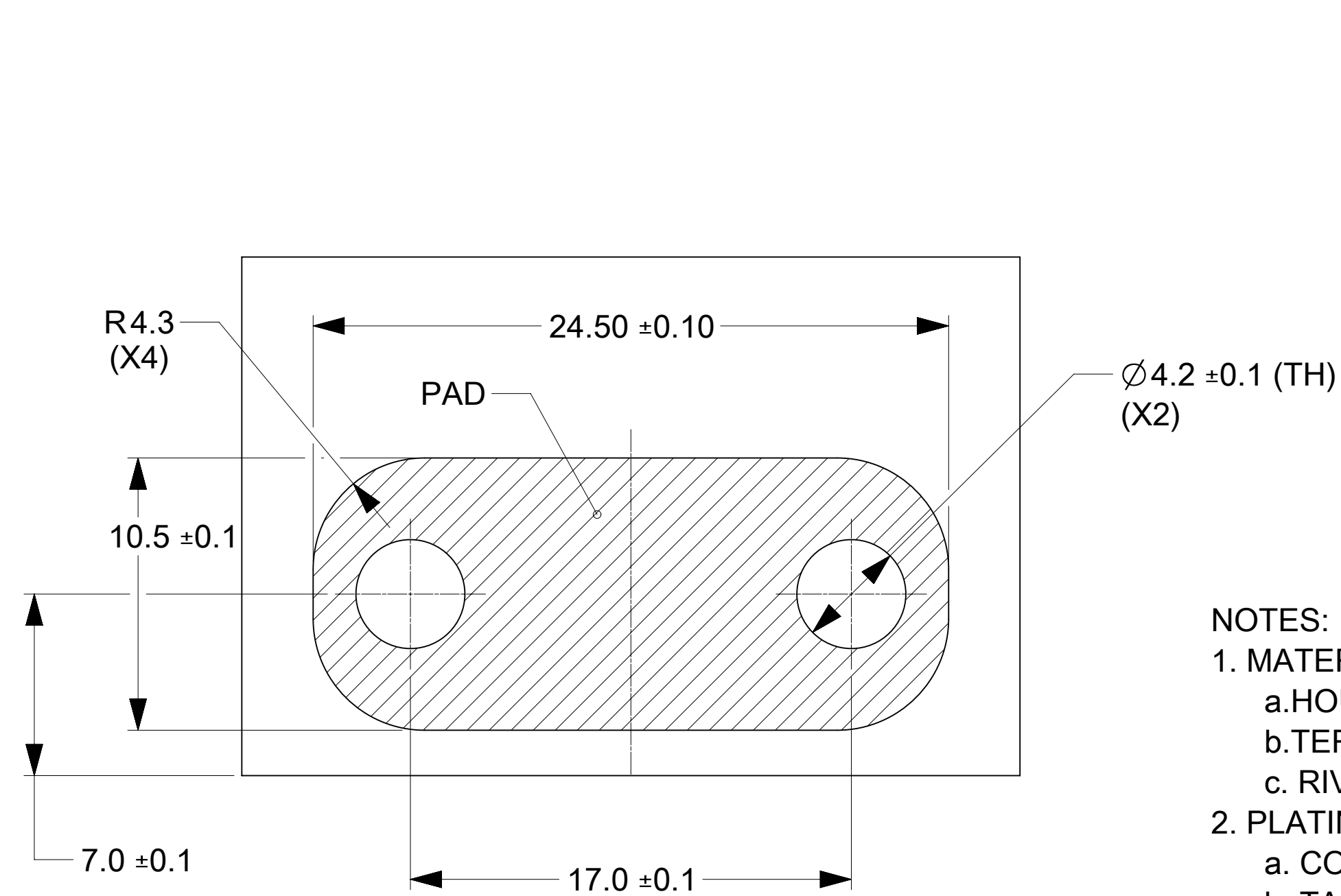


PART NUMBER	PLATING ON THE CONTACT AREAS
213191-0002	SILVER OVER NICKEL
213191-0102	TIN OVER NICKEL

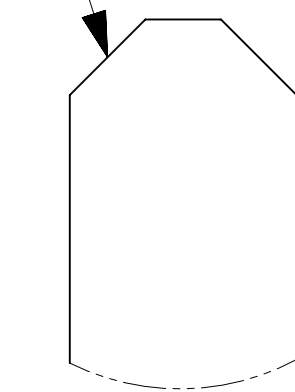


PCB, BUSBAR, SCREWS AND NUTS
IN THESE VIEWS ARE SHOWN FOR REFERENCE ONLY



RECOMMENDED PCB LAYOUT

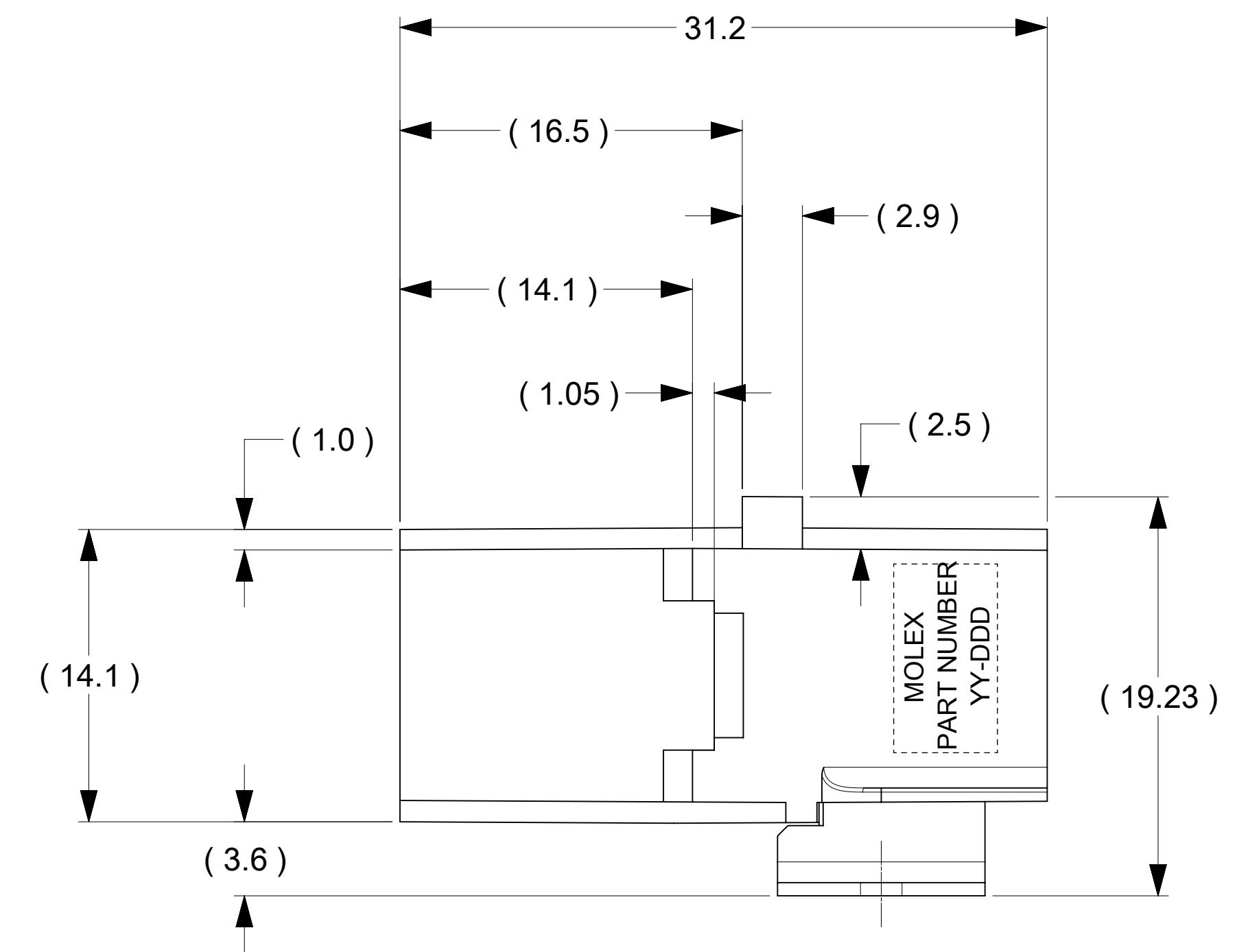
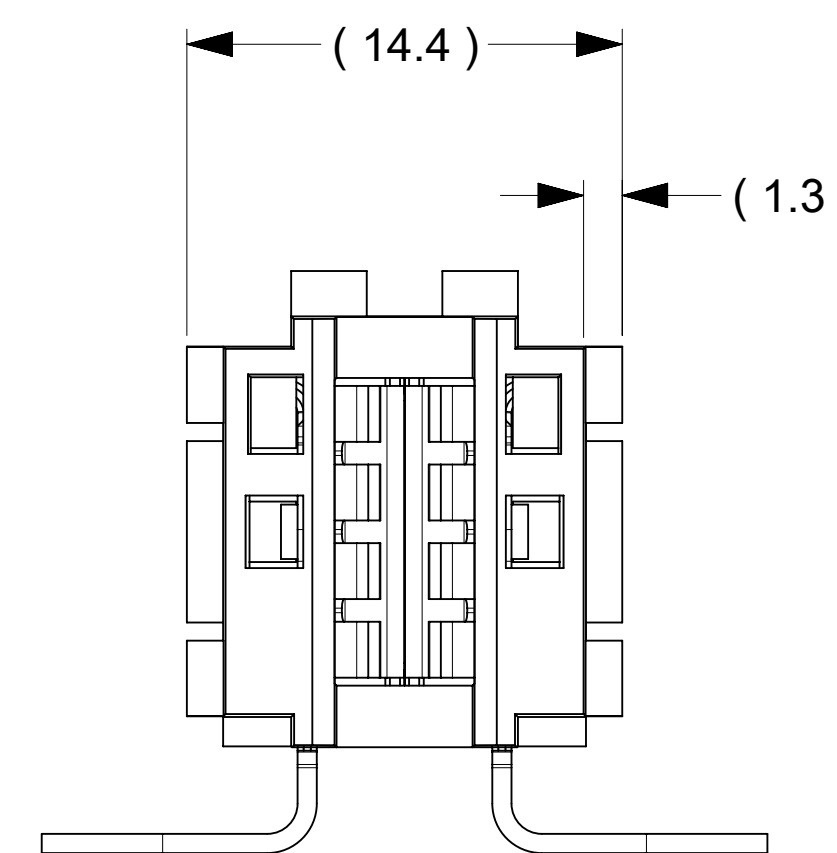
0.5 MIN. CHAMFERED
EDGE RECOMMENDED



DETAIL A
SCALE 10:1

NOTES:

- MATERIALS:
 - HOUSING BODY: POLYMER. UL94V-0; BLACK.
 - TERMINALS: COPPER ALLOY.
 - RIVET/CLIP: COPPER ALLOY.
- PLATING:
 - CONTACT AREAS: SEE CHART.
 - TAB AREAS: TIN OVER NICKEL.
 - REST: NICKEL OVERALL.
- LUBRICATION: LUBED IN CONTACT AREA.
- REFERENCE DOCUMENT:
 - SILVER VERSION: 2131910001-PS, 2131910001-AS.
 - TIN VERSION: 2131910002-PS, 2131910001-AS.
- MODULE ASSEMBLY IS RoHS COMPLIANT.
- FINAL ASSEMBLY TO BE PACKAGED AND LABELED PER PACKAGING DRAWING NUMBER 2131910002-PK.
- MATED BUSBAR SHOULD BE PLATED WITH SILVER OVER NICKEL FOR SILVER VERSION CONNECTOR AND TIN OVER NICKEL FOR TIN VERSION CONNECTOR.



FUNCTIONAL SYMBOLS	THIS DRAWING CONTAINS INFORMATION THAT IS PROPRIETARY TO MOLEX ELECTRONIC TECHNOLOGIES, LLC AND SHOULD NOT BE USED WITHOUT WRITTEN PERMISSION		CURRENT REV DESC:	
$\nabla_A = 0$	DIMENSION UNITS	SCALE		
$\nabla_C = 0$	mm	5:1		
$\nabla_P = 0$	GENERAL TOLERANCES (UNLESS SPECIFIED)			
	ANGULAR TOL	± °		
	4 PLACES	±		
	3 PLACES	±		
	2 PLACES	± 0.15		
	1 PLACE	± 0.25		
	0 PLACES	±		
DIVISIONAL SYMBOLS	DRAFT WHERE APPLICABLE MUST REMAIN WITHIN DIMENSIONS			
	THIRD ANGLE PROJECTION	DRAWING	SERIES	MATERIAL NUMBER
		D-SIZE	213191	SEE CHART
			CUSTOMER	SHEET NUMBER
				1 OF 1

molex

POWER PLANE BBC SMALL RA - SM

PRODUCT CUSTOMER DRAWING

DOCUMENT NUMBER	DOC TYPE	DOC PART	REVISION
2131910002-SD	PSD	000	B