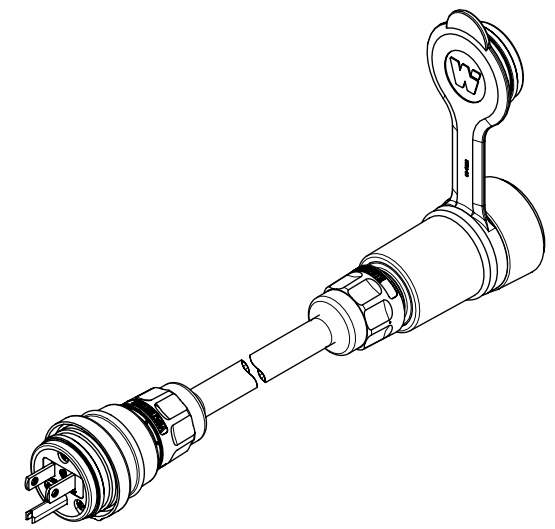
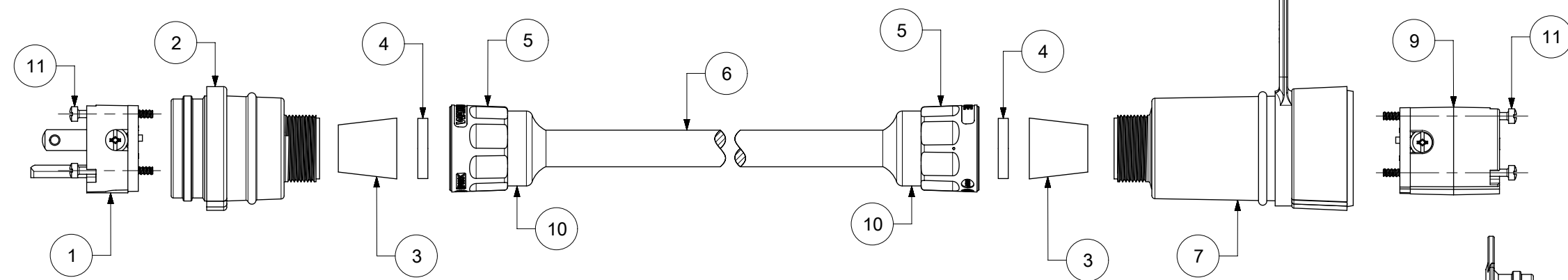
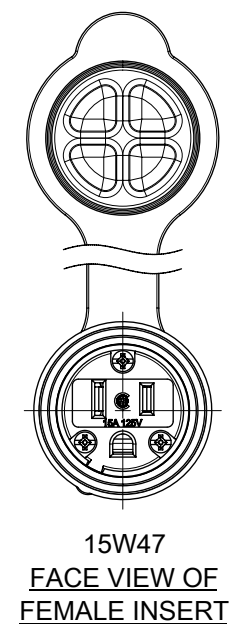
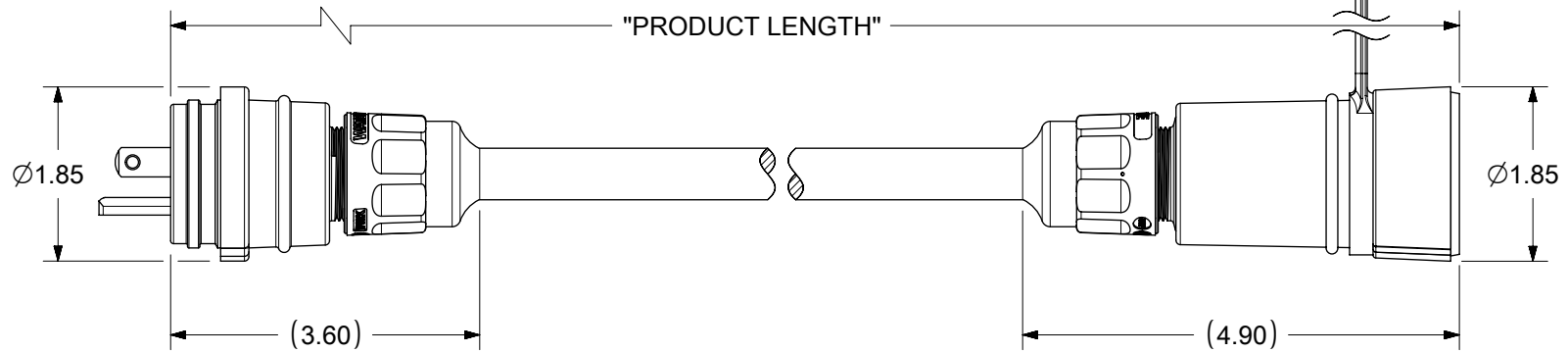
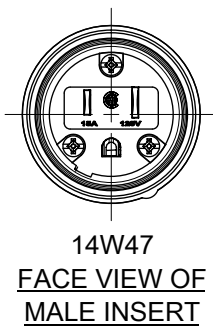


MATERIAL NO.	ENGINEERING NO.	DESCRIPTION	PRODUCT LENGTH
1301430134	14W47A143	14W47 W25FT 14-3SO 15W47	25 FT +12.0/-0.0 IN
1301430137	14W47A163	14W47 W25FT 16-3SO 15W47	25 FT +12.0/-0.0 IN
1301430138	14W47B123	14W47 W50FT 12-3SO 15W47	50 FT +24.0/-0.0 IN
1301430140	14W47B143	14W47 W50FT 14-3SO 15W47	50 FT +24.0/-0.0 IN
1301430143	14W47B163	14W47 W50FT 16-3SO 15W47	50 FT +24.0/-0.0 IN
1301430148	14W47D123	14W47 W100FT 12-3SO 15W47	100 FT +24.0/-0.0 IN
1301430150	14W47D143	14W47 W100FT 14-3SO 15W47	100 FT +24.0/-0.0 IN
1301430153	14W47D163	14W47 W100FT 16-3SO 15W47	100 FT +24.0/-0.0 IN
1301430154	14W47L143	14W47 W6FT 14-3SO 15W47	6 FT +9.0/-0.0 IN

NEMA 5-15; 15A 125V; 2-POLE/3-WIRE



ITEM NO.	DESCRIPTION	MATERIAL	QTY.
1	MALE INSERT ASSY.	NYLON, POLYCARBONATE, BRASS PLATING - NICKEL OR ZINC	1
2	WATERTITE - MALE HUSK	SILICONE	1
3	GROMMET	RUBBER	2
4	FRICTION RING	NYLON	2
5	COMPRESSION NUT YELLOW	NYLON	2
6	YELLOW SOOW CORD	COPPER WIRE	1
7	WATERTITE - FEMALE HUSK	SILICONE	1
8	CLOSURE CAP YELLOW	SILICONE	1
9	FEMALE INSERT ASSY.	NYLON, POLYCARBONATE, BRASS PLATING - NICKEL OR ZINC	1
10	CABLE GLOVE	SILICONE	2
11	RETAINING SCREW	STAINLESS STEEL	6



THIS DRAWING CONTAINS INFORMATION THAT IS PROPRIETARY TO MOLEX ELECTRONIC TECHNOLOGIES, LLC AND SHOULD NOT BE USED WITHOUT WRITTEN PERMISSION

DIMENSION UNITS	SCALE	CURRENT REV	DESC: REMOVED OBSOLETE PART NUMBER AS PER PCN#511695.
INCH	NTS	EC NO: 730178	
GENERAL TOLERANCES (UNLESS SPECIFIED)		DRWN: SANTHN	2022/11/30
ANGULAR TOL ± °		CHKD: GGA	2023/01/04
4 PLACES ±		APPR: GGA	2023/01/04
3 PLACES ±		INITIAL REVISION:	
2 PLACES ±		DRWN: PPURSUTANDEL	2019/06/21
1 PLACE ±		APPR: HKNEELAND	2020/05/19
0 PLACES ±			
DRAFT WHERE APPLICABLE MUST REMAIN WITHIN DIMENSIONS	THIRD ANGLE PROJECTION	DRAWING	SERIES
		B-SIZE	130143

WATERTITE CORDSET PLUG AND CONNECTOR WITH CORD			
PRODUCT CUSTOMER DRAWING			
DOCUMENT NUMBER	DOC TYPE	DOC PART	REVISION
1301430140	PSD	000	A1
MATERIAL NUMBER	CUSTOMER	SHEET NUMBER	
SEE TABLE	GENERAL MARKET	1 OF 1	