

THIS DRAWING IS UNPUBLISHED.

RELEASED FOR PUBLICATION

ALL RIGHTS RESERVED.

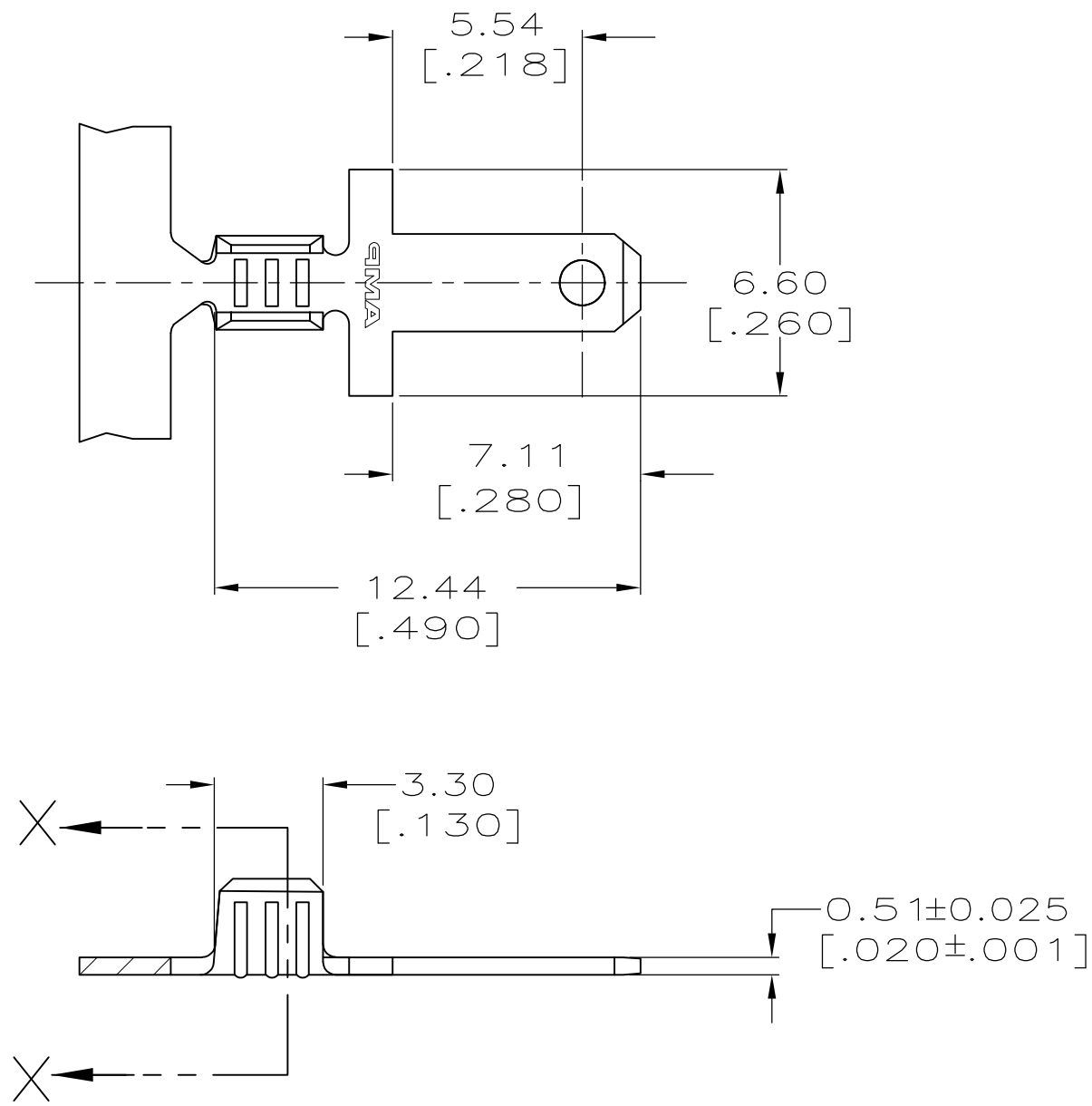
© COPYRIGHT - By -

LOC AF DIST 50

REVISIONS


P	LTR	DESCRIPTION	DATE	DWN	APVD
	F	REVISED PER ECR-13-011489	04DEC2013	KH	PD

1 CONTINUOUS STRIP ON REELS.



SECTION X-X  
SCALE 10:1

TIN OVER COPPER	62887-2
TIN	62887-1
FINISH	PART NO.

THIS DRAWING IS A CONTROLLED DOCUMENT.		DWN	JR RUTH	11/7/96	 <b>TE Connectivity</b>												
DIMENSIONS: mm [INCHES]		CHK	MS FEHER	11/7/96													
TOLERANCES UNLESS OTHERWISE SPECIFIED:		APVD	J HUZVAR	11/7/96													
<table border="0"> <tr><td>0 PLC</td><td>± -</td></tr> <tr><td>1 PLC</td><td>± -</td></tr> <tr><td>2 PLC</td><td>± 0.38 [.015]</td></tr> <tr><td>3 PLC</td><td>± -</td></tr> <tr><td>4 PLC</td><td>± -</td></tr> <tr><td>ANGLES</td><td>± -</td></tr> </table>		0 PLC	± -	1 PLC		± -	2 PLC	± 0.38 [.015]	3 PLC	± -	4 PLC	± -	ANGLES	± -	PRODUCT SPEC	NAME	
0 PLC	± -																
1 PLC	± -																
2 PLC	± 0.38 [.015]																
3 PLC	± -																
4 PLC	± -																
ANGLES	± -																
MATERIAL	BRASS	FINISH	SEE TABLE		APPLICATION SPEC	SIZE	CAGE CODE	DRAWING NO	RESTRICTED TO								
		WEIGHT	-		---	A3	00779	C-62887	---								
CUSTOMER DRAWING					SCALE	5:1	SHEET	1 OF 1	REV	F							