

TITLE	CODING	TE ORDER-NO	QTY	PART DESCRIPTION	MATERIAL	SURFACE COLOUR	ITEM
1 POS. RING TOUNGUE. HOUSING. ASSY	Z	9-1991226-2	1	PERIPHERAL SEAL	MVQ-30	NATURAL	3
			1	1POS. RING TOUNGE. HOUSING. IPT 16-50mm ²	PA66-GF35	ORANGE SIMILAR RAL 2003	2
			2	SLEEVE. IPT	CuZn39	Ni	1
1 POS. RING TOUNGUE. HOUSING. ASSY	F	6-1991226-2	1	PERIPHERAL SEAL	MVQ-30	NATURAL	3
			1	1POS. RING TOUNGE. HOUSING. IPT 16-50mm ²	PA66-GF35	ORANGE SIMILAR RAL 2003	2
			2	SLEEVE. IPT	CuZn39	Ni	1
1 POS. RING TOUNGUE. HOUSING. ASSY	E	5-1991226-2	1	PERIPHERAL SEAL	MVQ-30	NATURAL	3
			1	1POS. RING TOUNGE. HOUSING. IPT 16-50mm ²	PA66-GF35	ORANGE SIMILAR RAL 2003	2
			2	SLEEVE. IPT	CuZn39	Ni	1
1 POS. RING TOUNGUE. HOUSING. ASSY	D	4-1991226-2	1	PERIPHERAL SEAL	MVQ-30	NATURAL	3
			1	1POS. RING TOUNGE. HOUSING. IPT 16-50mm ²	PA66-GF35	ORANGE SIMILAR RAL 2003	2
			2	SLEEVE. IPT	CuZn39	Ni	1
1 POS. RING TOUNGUE. HOUSING. ASSY	C	3-1991226-2	1	PERIPHERAL SEAL	MVQ-30	NATURAL	3
			1	1POS. RING TOUNGE. HOUSING. IPT 16-50mm ²	PA66-GF35	ORANGE SIMILAR RAL 2003	2
			2	SLEEVE. IPT	CuZn39	Ni	1
1 POS. RING TOUNGUE. HOUSING. ASSY	B	2-1991226-2	1	PERIPHERAL SEAL	MVQ-30	NATURAL	3
			1	1POS. RING TOUNGE. HOUSING. IPT 16-50mm ²	PA66-GF35	ORANGE SIMILAR RAL 2003	2
			2	SLEEVE. IPT	CuZn39	Ni	1
1 POS. RING TOUNGUE. HOUSING. ASSY	A	1-1991226-2	1	PERIPHERAL SEAL	MVQ-30	NATURAL	3
			1	1POS. RING TOUNGE. HOUSING. IPT 16-50mm ²	PA66-GF35	ORANGE SIMILAR RAL 2003	2
			2	SLEEVE. IPT	CuZn39	Ni	1
1 POS. RING TOUNGUE. HOUSING. ASSY		9-1991226-1	1	PERIPHERAL SEAL	MVQ-30	NATURAL	3
			1	1POS. RING TOUNGE. HOUSING. IPT 16-50mm ²	PA66-GF35	BLACK SIMILAR RAL 9011	2
			2	SLEEVE. IPT	CuZn39	Ni	1
1 POS. RING TOUNGUE. HOUSING. ASSY		6-1991226-1	1	PERIPHERAL SEAL	MVQ-30	NATURAL	3
			1	1POS. RING TOUNGE. HOUSING. IPT 16-50mm ²	PA66-GF35	BLACK SIMILAR RAL 9011	2
			2	SLEEVE. IPT	CuZn39	Ni	1
1 POS. RING TOUNGUE. HOUSING. ASSY	E	5-1991226-1	1	PERIPHERAL SEAL	MVQ-30	NATURAL	3
			1	1POS. RING TOUNGE. HOUSING. IPT 16-50mm ²	PA66-GF35	BLACK SIMILAR RAL 9011	2
			2	SLEEVE. IPT	CuZn39	Ni	1
1 POS. RING TOUNGUE. HOUSING. ASSY	D	4-1991226-1	1	PERIPHERAL SEAL	MVQ-30	NATURAL	3
			1	1POS. RING TOUNGE. HOUSING. IPT 16-50mm ²	PA66-GF35	BLACK SIMILAR RAL 9011	2
			2	SLEEVE. IPT	CuZn39	Ni	1
1 POS. RING TOUNGUE. HOUSING. ASSY	C	3-1991226-1	1	PERIPHERAL SEAL	MVQ-30	NATURAL	3
			1	1POS. RING TOUNGE. HOUSING. IPT 16-50mm ²	PA66-GF35	BLACK SIMILAR RAL 9011	2
			2	SLEEVE. IPT	CuZn39	Ni	1
1 POS. RING TOUNGUE. HOUSING. ASSY	B	2-1991226-1	1	PERIPHERAL SEAL	MVQ-30	NATURAL	3
			1	1POS. RING TOUNGE. HOUSING. IPT 16-50mm ²	PA66-GF35	BLACK SIMILAR RAL 9011	2
			2	SLEEVE. IPT	CuZn39	Ni	1
1 POS. RING TOUNGUE. HOUSING. ASSY	A	1-1991226-1	1	PERIPHERAL SEAL	MVQ-30	NATURAL	3
			1	1POS. RING TOUNGE. HOUSING. IPT 16-50mm ²	PA66-GF35	BLACK SIMILAR RAL 9011	2
			2	SLEEVE. IPT	CuZn39	Ni	1

OBSOLETE

CODINGS

LOC	DIST	P	LTN	DESCRIPTION	DATE	DMN	APVD
A1	-	B2		CHANGE OF CODE A	12SEP2012	VA	FKA
		B3		X- -1 PNs OBSOLETE	06NOV2013	VA	FKA
		B4		NEW PRODUCT AND APPLICATION SPEC NO.	20AUG2015	AHM	FKA
		B5		1-1991226-1 - REACTIVATED	19APR2017	TSV	FKA

CODE A

CODE B

CODE C

CODE D

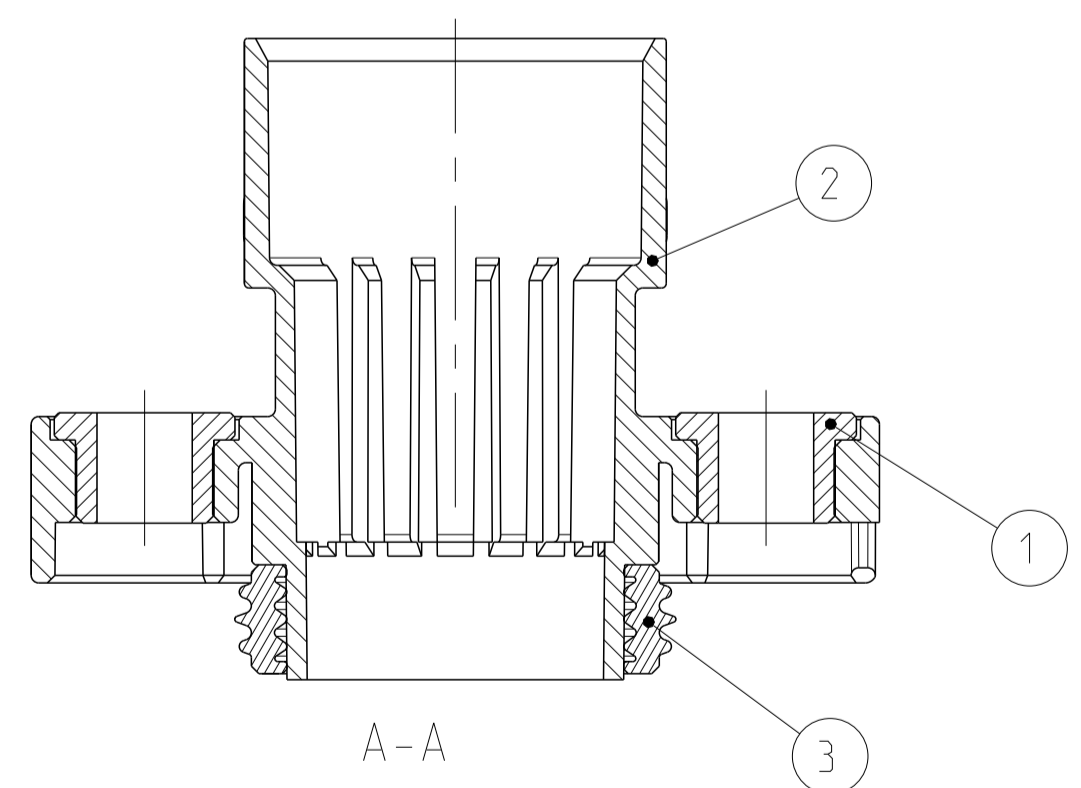
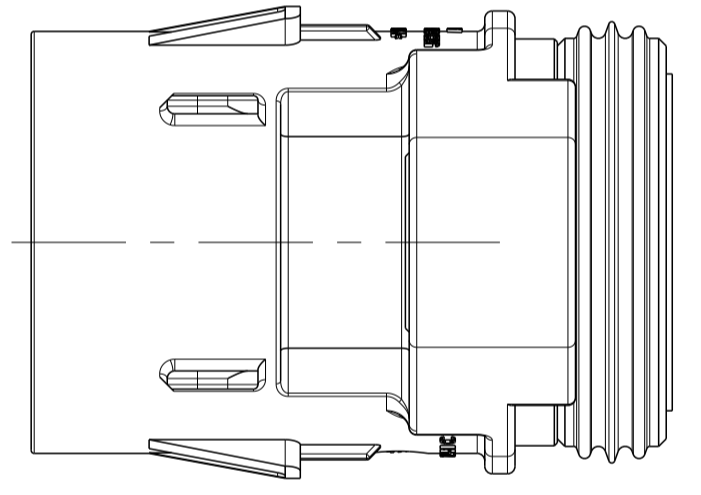
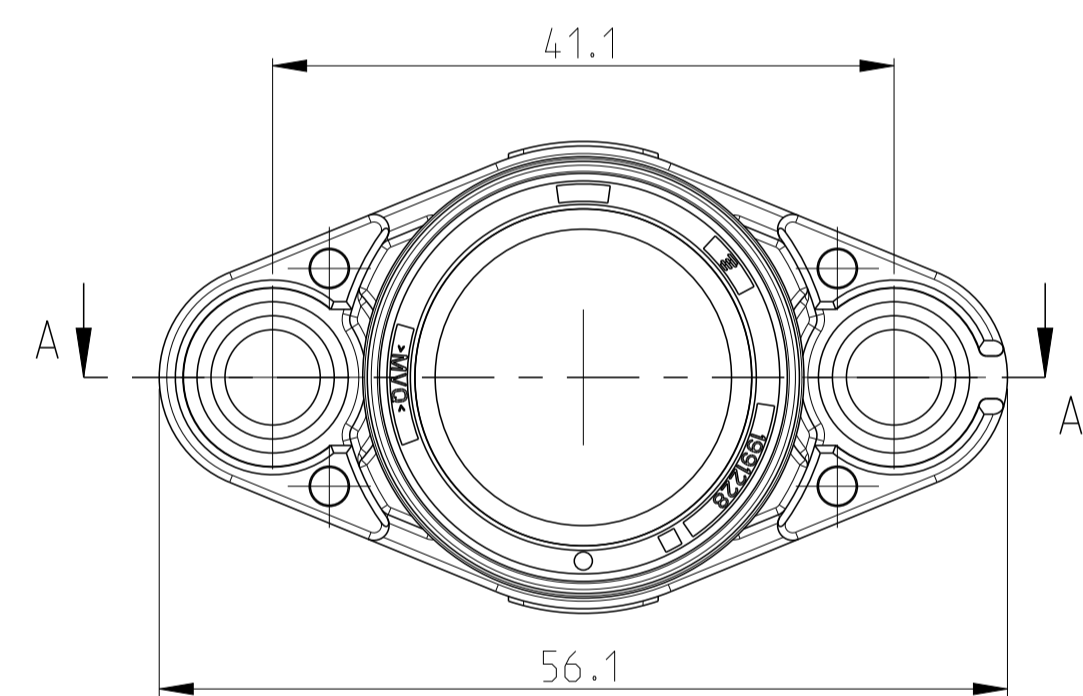
3D VIEW
1:1

CODE E

CODE F

CODE G

CODE Z



NOTES:
 1. PACKAGING SPECIFICATION
 PIECES PACKED IN CARTON WITH LAYER PAD

2- -7 AS SHOWN

THIS DRAWING IS A CONTROLLED DOCUMENT.		DMN S. GURURAJ 29JAN2009	STE TE Connectivity
DIMENSIONS: mm		CHK M. HARRIS 29JAN2009	
TOLERANCES UNLESS OTHERWISE SPECIFIED: ±0.5		APVD J. MARSH 29JAN2009	NAME 1POS. RING TOUNGUE. HOUSING. ASSY IPT 16-50 mm sq.
MATERIAL: - FINISH: -		PRODUCT SPEC 108-94293	SIZE CAGE CODE DRAWING NO. RESTRICTED TO
		APPLICATION SPEC 114-94133	A1 00779 ©=1991226
		WEIGHT 0.020 Kg	SCALE 2:1 SHEET 1 OF 1 REV B5
		CUSTOMER DRAWING	