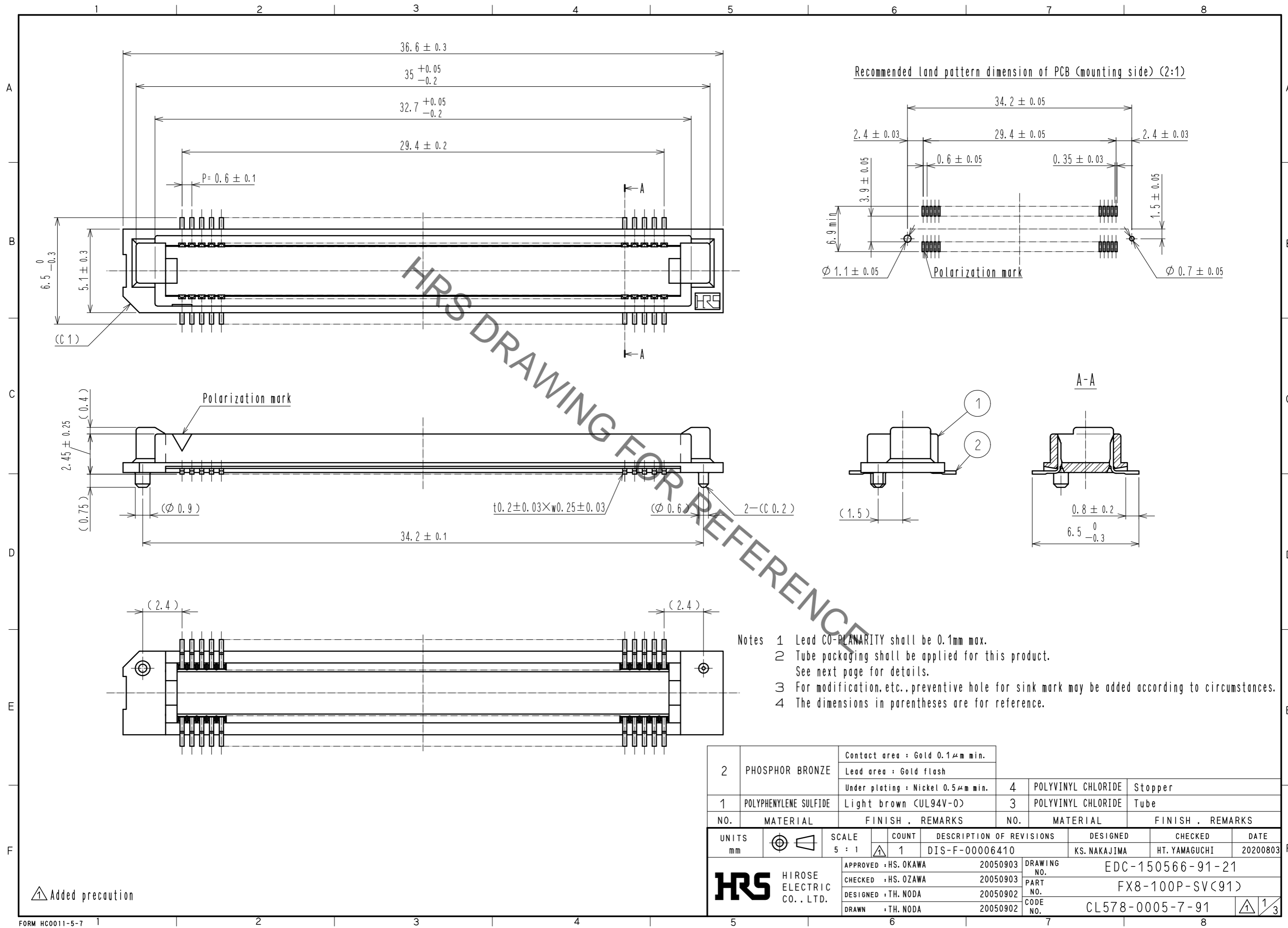


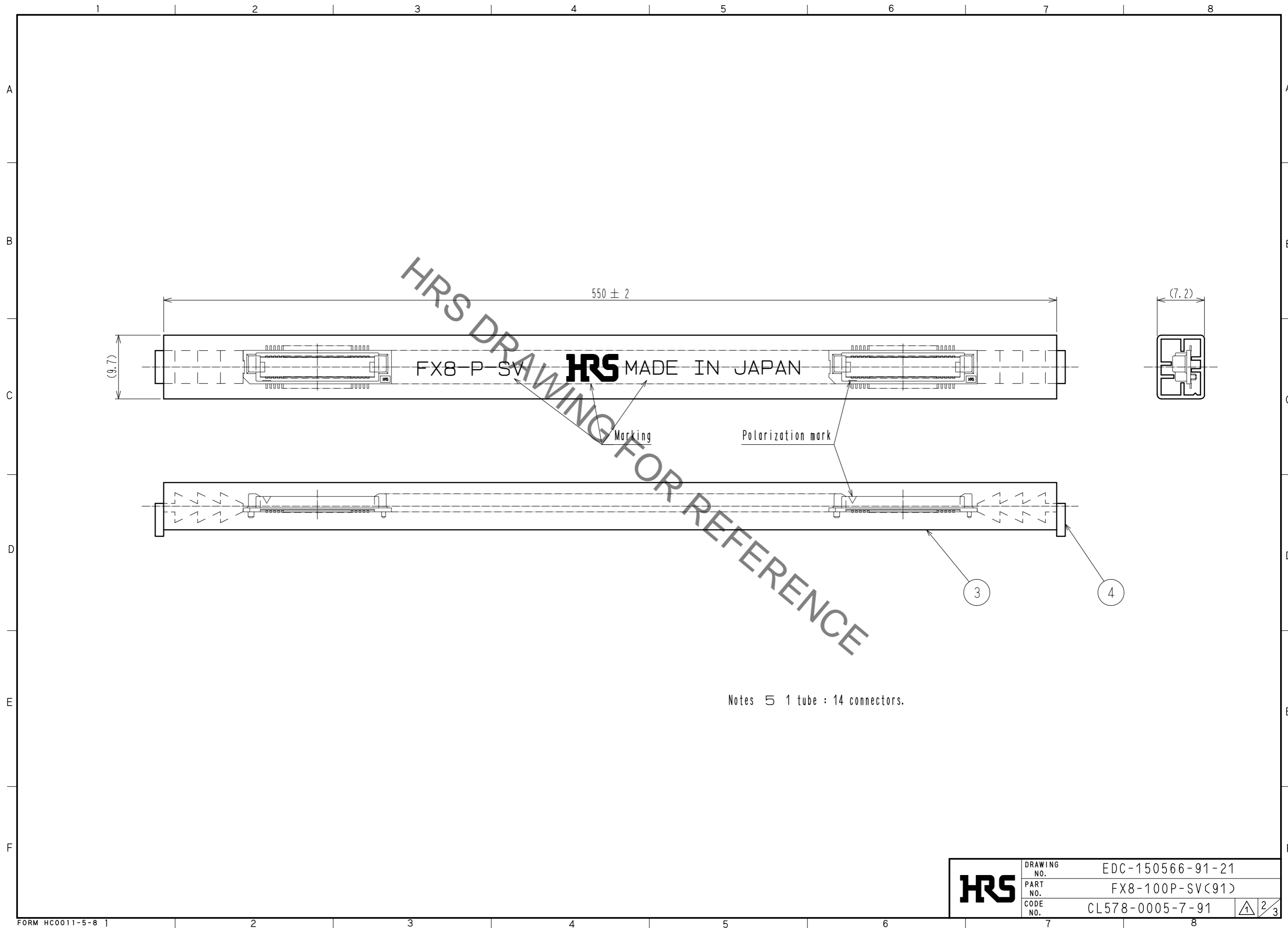
May.1.2023 Copyright 2023 HIROSE ELECTRIC CO., LTD. All Rights Reserved.
In case of consideration for using Automotive equipment / device which demand high reliability, kindly contact our sales window correspondents.



2	PHOSPHOR BRONZE	Contact area : Gold 0.1 μm min.			
		Lead area : Gold flash			
		Under plating : Nickel 0.5 μm min.	4	POLYVINYL CHLORIDE	Stopper
1	POLYPHENYLENE SULFIDE	Light brown (UL94V-0)	3	POLYVINYL CHLORIDE	Tube
NO.	MATERIAL	FINISH . REMARKS	NO.	MATERIAL	FINISH . REMARKS
UNITS	mm	SCALE	5 : 1	COUNT	1
		DESCRIPTION OF REVISIONS	DIS-F-00006410		
		DESIGNED	KS. NAKAJIMA	CHECKED	HT. YAMAGUCHI
		DATE	20200803		
		APPROVED : HS. OKAWA	20050903	DRAWING NO.	EDC-150566-91-21
		CHECKED : HS. OZAWA	20050903	PART NO.	FX8-100P-SV(C91)
		DESIGNED : TH. NODA	20050902	CODE NO.	CL578-0005-7-91
		DRAWN : TH. NODA	20050902		

Added precaution

May.1.2023 Copyright 2023 HIROSE ELECTRIC CO., LTD. All Rights Reserved.
In case of consideration for using Automotive equipment / device which demand high reliability, kindly contact our sales window correspondents.



HRS	DRAWING NO.	EDC-150566-91-21
	PART NO.	FX8-100P-SV(91)
	CODE NO.	CL578-0005-7-91
		2/3

May.1.2023 Copyright 2023 HIROSE ELECTRIC CO., LTD. All Rights Reserved.
In case of consideration for using Automotive equipment / device which demand high reliability, kindly contact our sales window correspondents.

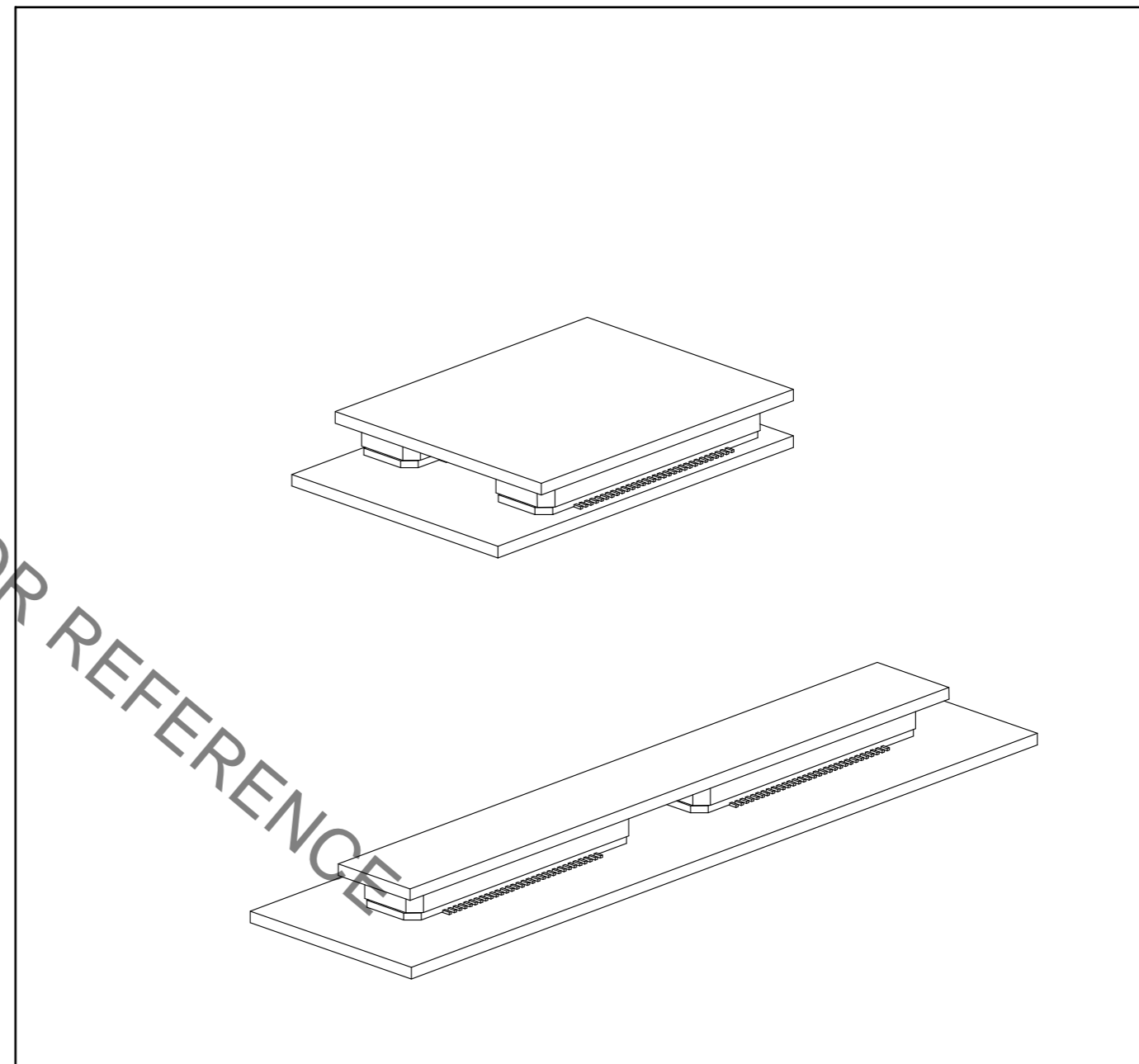
【 Precaution 】

When a board with multiple connectors mounted is mated, the connector may be damaged or deformed.
Please divide one side of the board so only one connector is mated per board.

OK



NG



HRS DRAWING FOR REFERENCE

HRS	DRAWING NO.	EDC-150566-91-21
	PART NO.	FX8-100P-SV(91)
	CODE NO.	CL578-0005-7-91
		3/3