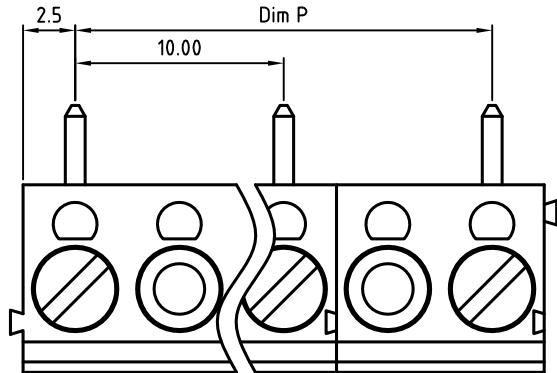


SIGN	DATE	DESCRIPTION	APPROVER
△			

THIS IS CAD DRAWING, DO NOT REVISE MANUALLY!!!




N=NUMBER OF CONTACTS
 Dim.L=Nx10.0-5.0
 Dim.P=(N-1)x10.0

Poles	Dim.	Dim L	Dim P
2-4p		±0.15	±0.10
5-7p		±0.20	±0.20
8-10p		±0.30	±0.25
11-12p		±0.40	±0.30

Material

- Terminal body : Brass(CuZn) , Tin plated
- Terminal screw: Steel Zinc plating "-" slot type
- Wire guard: Stainless steel
- Terminal housing: Thermoplastic (UL94V-0)

Electrical UL

- Voltage rating: 250V
- Current rating: 16A
- Wire range:
 - Solid wire(AWG): 14-22
 - Stranded wire(AWG): 14-22
- Torque: 2.6Lb-In
- Screw: M3
- Wire strip length: 6-7mm
- Withstanding Voltage: 1.5KV
- Operating temperature: -40°C to +115°C
- Soldering temperature: 250°C±10°C/5 Sec
- Safety Approval: 

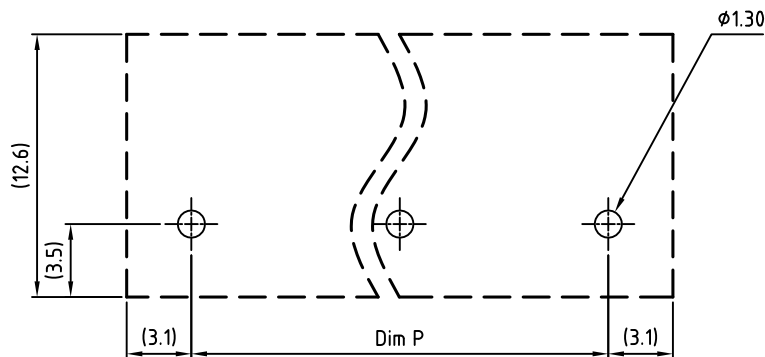
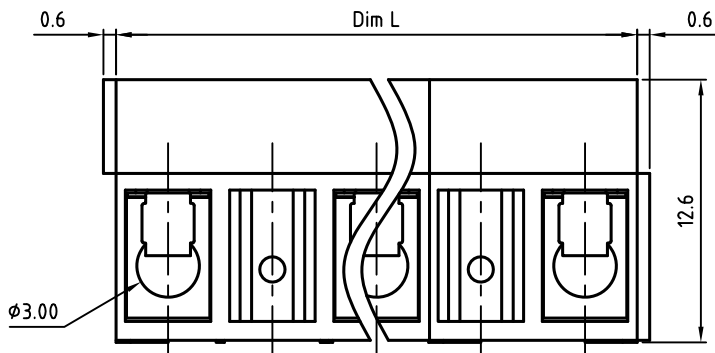
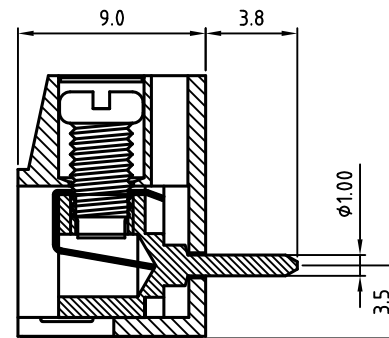
RoHS Compliant

PART NUMBER:

OSTTBXX1161

POLES
 02 02 CONTACTS
 03 03 CONTACTS
 ...
 12 12 CONTACTS

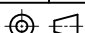
Color
 0 Black
 5 Green
 6 Blue
 8 Grey
 C Green



P.C.B. LAYOUT

OST ON-SHORE TECHNOLOGY, INC.

THESE DRAWINGS AND SPECIFICATIONS ARE THE PROPERTY OF ON-SHORE TECHNOLOGY, INC. AND SHALL NOT BE REPRODUCED, COPIED OR USED IN ANY MANNER WITHOUT THE PRIOR WRITTEN CONSENT OF ON-SHORE TECHNOLOGY, INC.

TITLE		OSTTB 10.0 series 2-Interlock	
PART NO.	OSTTBXX1161	DWG NO.	OSTTBXX1161.DWG
APPROVED	CHECKED	DESIGNED	DRAWN
		Tason 06/13 '11	Tason 06/13 '11
		CUST NO.	
			UNIT: mm
			SCALE: NONE
		SHEET: 01/01	REV: B
		Tolerance	
		X.	±0.50
		X.X	±0.30
		X.XX	±0.10
		X°	±1°