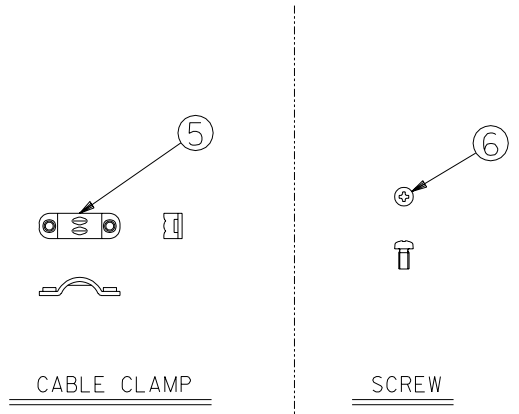


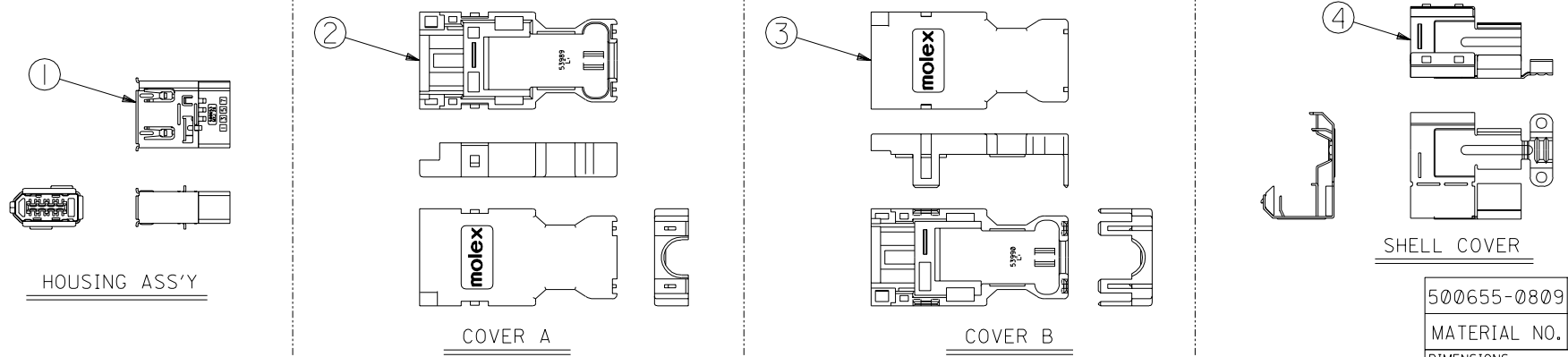
DWG. NO. SD-500655-010

部品構成
PARTS CONSTRUCTION

部番 NO.	部品名 PART NAME	製品番号 ENG. NO.	個数 QUAN.	材質 MATERIAL
①	ハウジングアッセンブリ HOUSING ASS'Y	500653-0819	1	ハウジング: ガラス入り耐熱樹脂 UL94V-0 色:黒 HOUSING: G.F. HEAT RESISTANT PLASTIC UL94V-0 COLOR: BLACK シェル :りん青銅 t0.4 SHELL : PHOSPHOR BRONZE t0.4 メッキ仕様 ニッケル下地錫メッキ PLATING TIN OVER NICKEL
②	カバーA COVER A	53989-0805	1	ガラス入りポリカーボネイト樹脂 UL94V-0 色:グレー POLYCARBONATE G.F. UL94V-0 COLOR: GRAY
③	カバーB COVER B	53990-0805	1	
④	シェル カバー SHELL COVER	58302-0828	1	鋼 t0.4 STEEL t0.4 メッキ仕様 : ニッケル下地、錫メッキ PLATING : NICKEL BASE, TIN PLATING
⑤	ケーブルクランプ CABLE CLAMP	58303-0000	1	ステンレス鋼 STAINLESS STEEL
⑥	十字穴付きなべ小ネジ CROSS RECESSED PAN HEAD MACHINE SCREW	59832-0009	2	黄銅(ネジサイズ:M2X4) BRASS (SCREW SIZE: M2X4)



NOTES:
本製品は 500655-0800 の鉛フリー品である。
THIS PRODUCT IS LEAD FREE OF 500655-0800.

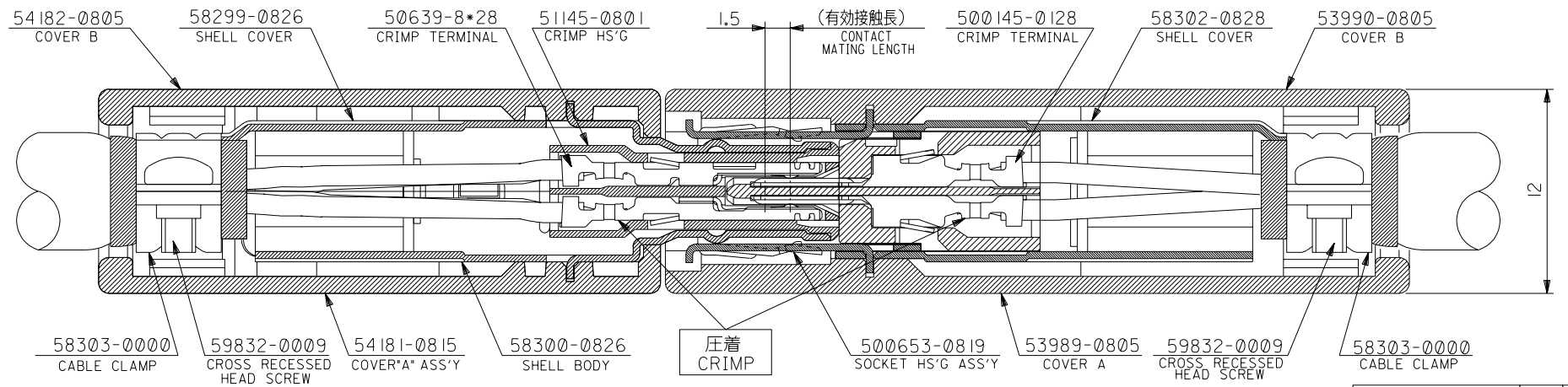
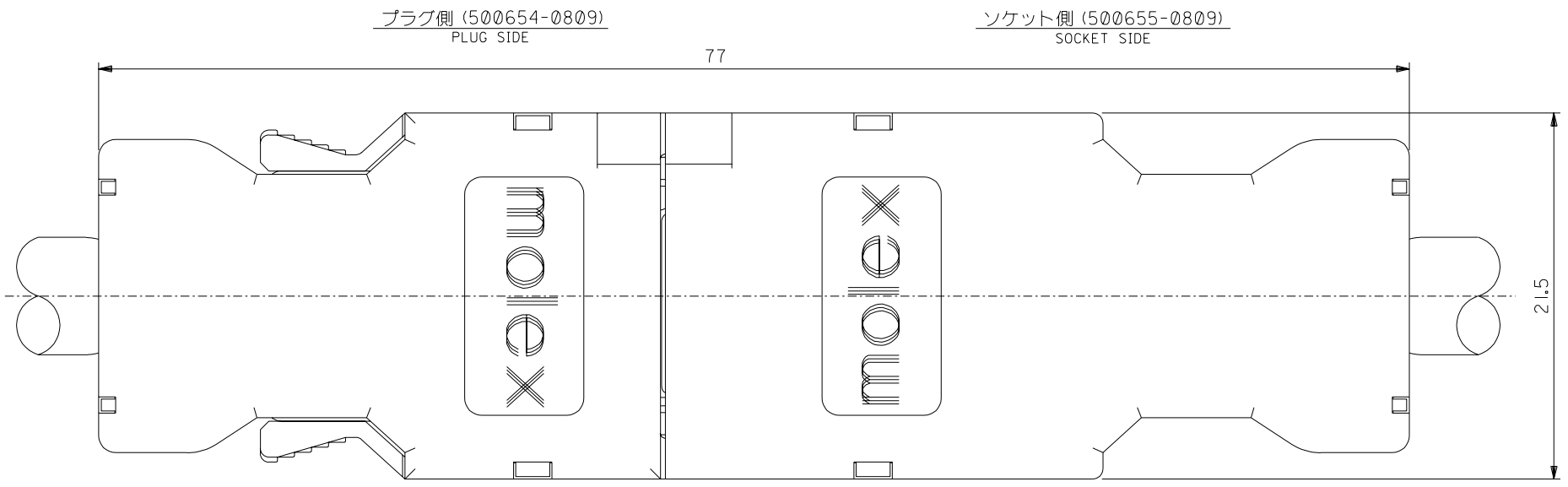


500655-0809	500655-***09
MATERIAL NO.	MODEL NO.
DIMENSIONS: <input type="checkbox"/> mm <input type="checkbox"/> INCH <input checked="" type="checkbox"/> mm ONLY	
SHT	REV
REVISE ON CAD ONLY	

DO NOT SCALE DRAWING

EC NO. DRWN: CH'K: APPR:	EC NO. DRWN: CH'K: APPR:	EC NO. DRWN: CH'K: APPR:	EC NO. DRWN: CH'K: APPR:	EC NO. DRWN: CH'K: APPR:	<p>RELEASED EC NO. J2004-3819 DRWN: H.KAWABATA '04/04/16 CH'K: K.TOJO '04/04/16 APPR: M.SASAO '04/04/16</p>	<p>MATERIAL 材料</p> <p>FINISH 仕上げ</p> <p>WIRE RANGE 適用電線範囲</p> <p>INS. RANGE 被覆外径</p>	<p>GENERAL TOLERANCES: (UNLESS SPECIFIED) 一般公差</p> <p>10 UNDER 未満 ±0.2</p> <p>10 OVER 以上 30 UNDER 未満 ±0.25</p> <p>30 OVER 以上 ±0.3</p> <p>ANGLE 角度 ±3°</p>	<p>SCALE 1:1</p> <p>DESIGN UNITS <input checked="" type="checkbox"/> mm <input type="checkbox"/> INCH</p> <p>THIRD ANGLE PROJECTION</p> <p>DRAWN BY & DATE H.KAWABATA '04/04/16</p> <p>CHECKED BY & DATE K.TOJO '04/04/16</p> <p>APPROVED BY & DATE M.SASAO '04/04/16</p> <p>CAD FILENAME SD-500655-010.S01</p>	<p>TITLE: 2.0mm PITCH I/O CONN. SOCKET SET (CRIMP TYPE) -LEAD FREE-</p> <p>MOLEX MOLEX INCORPORATED</p>	<p>MATERIAL NO. SEE CHART</p> <p>DRAWING NO. SD-500655-010</p> <p>SHEET NO. 1 OF 2</p>	<p>THIS DRAWING CONTAINS INFORMATION THAT IS PROPRIETARY TO MOLEX INCORPORATED AND SHOULD NOT BE USED WITHOUT WRITTEN PERMISSION.</p> <p>SIZE B</p>
-----------------------------	-----------------------------	-----------------------------	-----------------------------	-----------------------------	---	--	---	---	---	--	---

DWG. NO.
SD-500655-010



DO NOT SCALE DRAWING

EC NO. DRWN: CHK: APPR:	EC NO. DRWN: CHK: APPR:	EC NO. DRWN: CHK: APPR:	EC NO. DRWN: CHK: APPR:	EC NO. DRWN: CHK: APPR:	RELEASED EC NO. J2004-3819 DRWN: H.KAWABATA '04/04/16 CHK: K.TOJO '04/04/16 APPR: M.SASAO '04/04/16	MATERIAL 材料	— # —	GENERAL TOLERANCES: (UNLESS SPECIFIED) 一般公差	SCALE	DESIGN UNITS	THIRD ANGLE PROJECTION	DIMENSIONS:		SHT	REV
						FINISH 仕上げ	— # —		4 : 1	mm		mm	mm	mm	mm
						DESCRIPTION	— # —	10 UNDER 未満	±0.2	DRAWN BY & DATE H.KAWABATA '04/04/16	TITLE: 2.0mm PITCH I/O CONN. SOCKET SET (CRIMP TYPE) -LEAD FREE-				
						WIRE RANGE 適用電線範囲	— # —	10 OVER 30 UNDER 以上 未満	±0.25	CHECKED BY & DATE K.TOJO '04/04/16	MOLEX MOLEX INCORPORATED CAD FILENAME SD-500655-010.S02 MATERIAL NO. SEE CHART DRAWING NO. SD-500655-010 SHEET NO. 2 OF 2				
						INS. RANGE 被覆外径	— # —	30 OVER 以上	±0.3	APPROVED BY & DATE M.SASAO '04/04/16					
						REV	— # —	ANGLE 角度	±3°	THIS DRAWING CONTAINS INFORMATION THAT IS PROPRIETARY TO MOLEX INCORPORATED AND SHOULD NOT BE USED WITHOUT WRITTEN PERMISSION.					