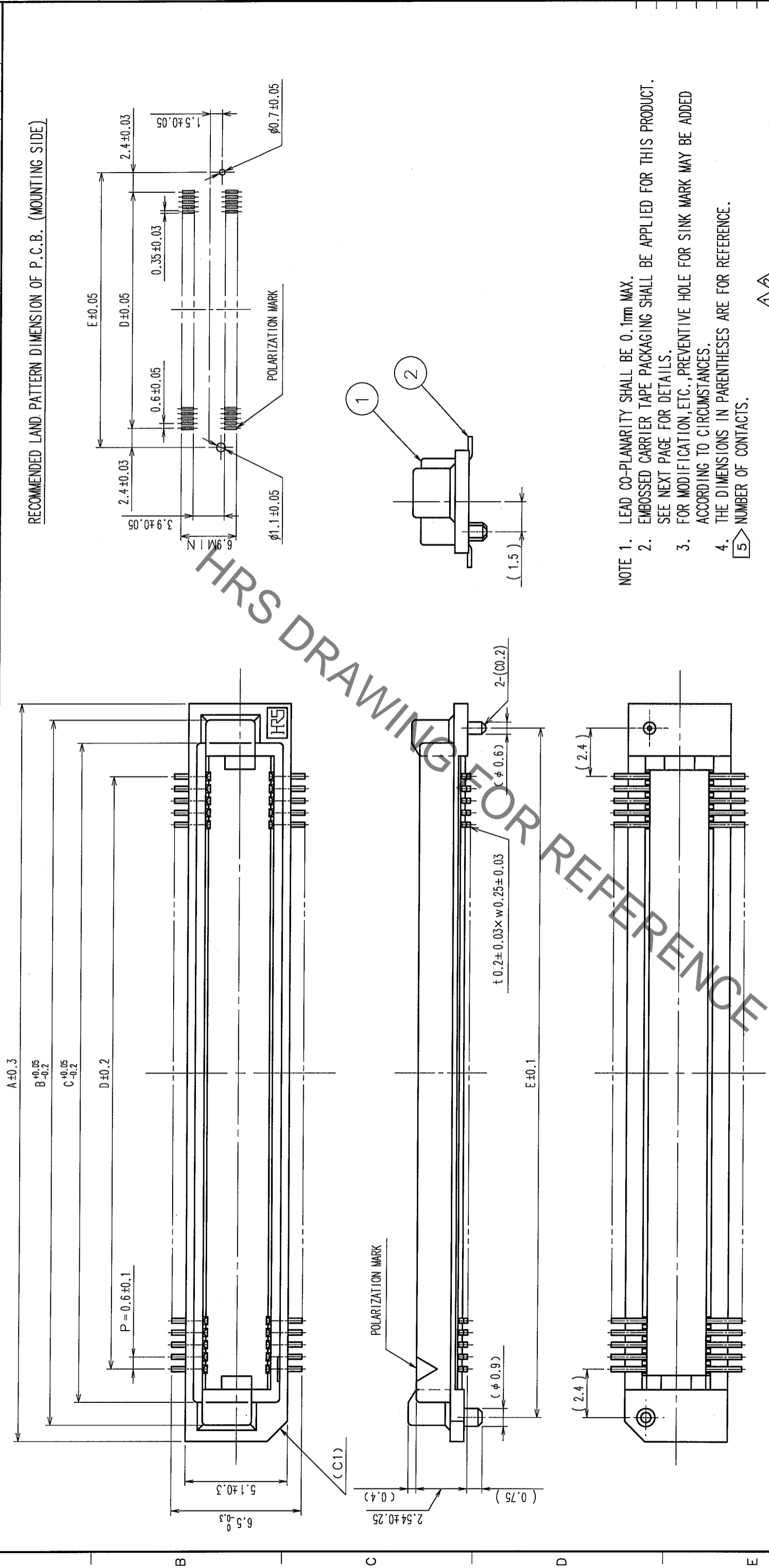


COUNT	DESCRIPTION OF REVISIONS	BY	CHKD	DATE	COUNT	DESCRIPTION OF REVISIONS	BY	CHKD	DATE
3	RE-F-09671	K.N	H.Y	04.04.08					
1	DIS-F-000293	K.D	H.O	05.02.28					



NO.	MATERIAL	FINISH, REMARKS	NO.	MATERIAL	FINISH, REMARKS
1	PPS	LIGHT BROWN (UL94V-0)	2	PHOSPHOR BRONZE	

CONTACT AREA: GOLD	LEAD AREA: GOLD FLASH	UNDER PLATING: NICKEL	FINISH, REMARKS
0.1μm min.		0.5μm min.	

CODE NO. (OLD)	CL	DRAWN	DESIGNED	CHECKED	APPROVED	RELEASED
		S. SUZUKI	K. NAKAMURA	H. OKAWA	Y. YOSHIMURA	
		03.03.06	03.03.06	03.03.06	03.03.06	

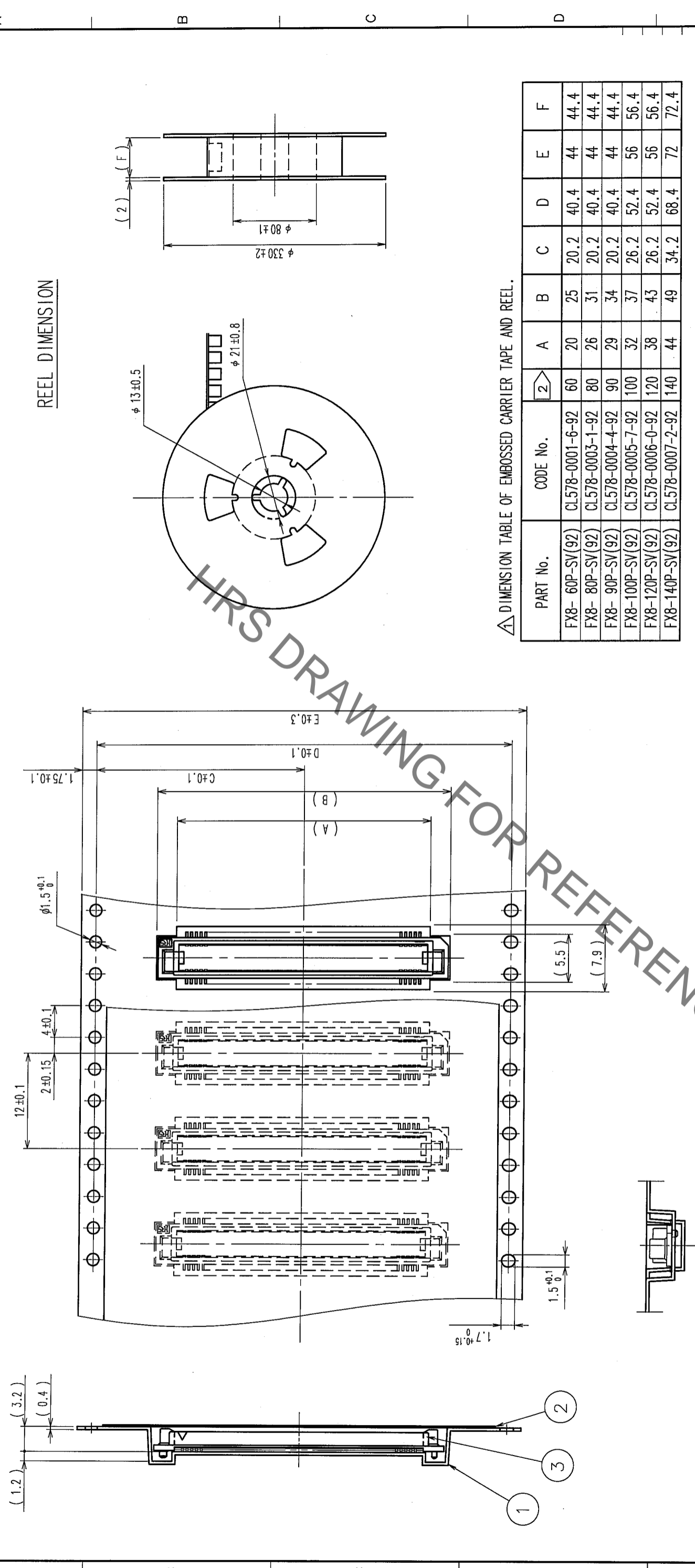
DRAWING NO.	PART NO.
EDC3-150726-22	FX8-**-P-SV(92)

SCALE	UNITS	CODE NO.
FREE	mm	CL578

DIMENSION TABLE OF CONNECTOR AND P.C.B. LAND PATTERN.									
PART No.	CODE No.	[5]	A	B	C	D	E		
FX8-60P-SV(92)	CL578-0001-6-92	60	24.6	23	20.7	17.4	22.2		
FX8-80P-SV(92)	CL578-0003-1-92	80	30.6	29	26.7	23.4	28.2		
FX8-90P-SV(92)	CL578-0004-4-92	90	33.6	32	29.7	26.4	31.2		
FX8-100P-SV(92)	CL578-0005-7-92	100	36.6	35	32.7	29.4	34.2		
FX8-120P-SV(92)	CL578-0006-0-92	120	42.6	41	38.7	35.4	40.2		
FX8-140P-SV(92)	CL578-0007-2-92	140	48.6	47	44.7	41.4	46.2		

TO	
PCK	

COUNT	DESCRIPTION OF REVISIONS	BY	CHKD	DATE	COUNT	DESCRIPTION OF REVISIONS	BY	CHKD	DATE
△					△				
△					△				

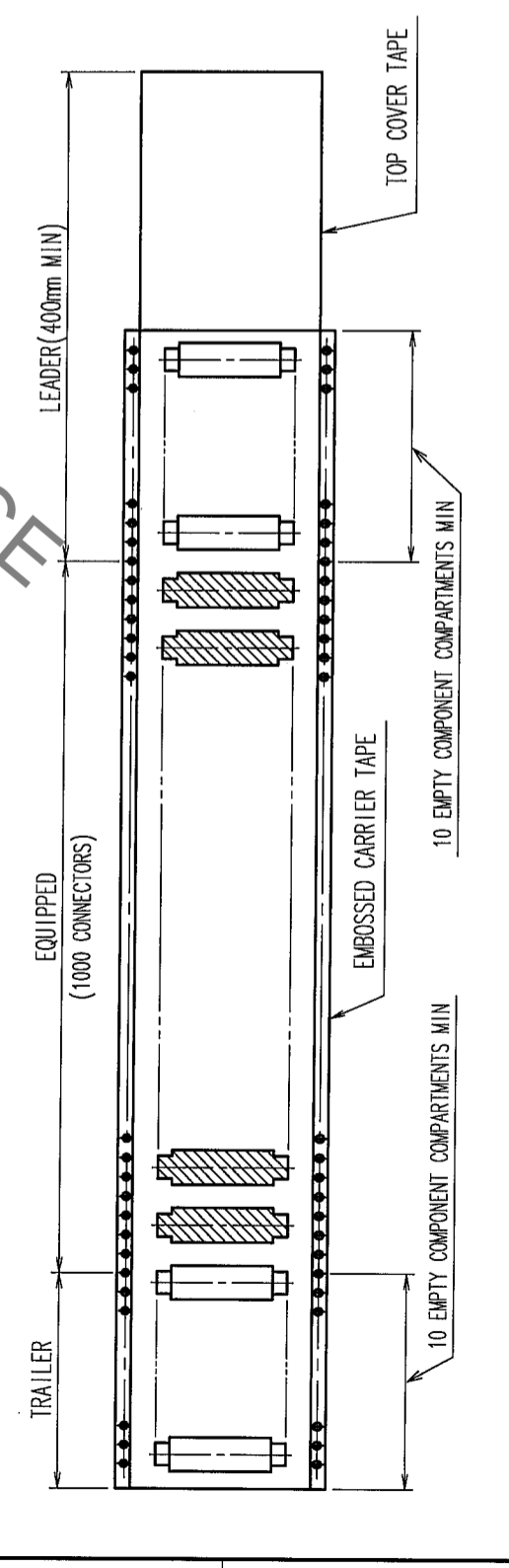


REEL DIMENSION

△ DIMENSION TABLE OF EMBOSSED CARRIER TAPE AND REEL.

PART No.	CODE No.	2	A	B	C	D	E	F
FX8-60P-SV(92)	CL578-0001-6-92	60	20	25	20.2	40.4	44	44.4
FX8-80P-SV(92)	CL578-0003-1-92	80	26	31	20.2	40.4	44	44.4
FX8-90P-SV(92)	CL578-0004-4-92	90	29	34	20.2	40.4	44	44.4
FX8-100P-SV(92)	CL578-0005-7-92	100	32	37	26.2	52.4	56	56.4
FX8-120P-SV(92)	CL578-0006-0-92	120	38	43	26.2	52.4	56	56.4
FX8-140P-SV(92)	CL578-0007-2-92	140	44	49	34.2	68.4	72	72.4

NOTE 1 1 REEL : 1000 CONNECTORS  
 2 NUMBER OF CONTACTS



2 POLYESTER (TOP COVER TAPE)		3 (CONNECTOR)	
NO.	MATERIAL	FINISH, REMARKS	MATERIAL
1	PS		

CODE No. (OLD)	CL	DRAWN	DESIGNED	CHECKED	APPROVED	RELEASED
		S. SUZUKI	K. NAKAMURA	H. OKAWA	Y. YOSHIMURA	
		03.03.06	03.03.06	03.03.06	03.03.06	

DRAWING NO.	EDC3-150726-22	PART NO.	FX8-**P-SV(92)
SCALE	FREE	CODE NO.	CL578
UNITS	mm		

TO	
PCK	



HIROSE ELECTRIC CO., LTD