



Wirewound Hex Power Resistor



FEATURES

- Resistance-alloy round wire is continuously wound on specially designed porcelain insulators
- Open coil construction allows efficient heat dissipation and easily accommodates reasonable overloads
- Aids and surges
- Insulators provide proper turn-to-turn spacing and insulation from support bars
- Wirewound
- Material categorization: for definitions of compliance please see www.vishay.com/doc?99912



RoHS
COMPLIANT

STANDARD ELECTRICAL SPECIFICATIONS

GLOBAL MODEL	HISTORICAL MODEL	RESISTANCE Ω	POWER RATING W	CURRENT A	TOLERANCE \pm %
HEXF0300R4320KZB00	222200	0.432	300	25.1	10
HEXF0300R5100KZB00	222201	0.510	300	22.4	10
HEXF0300R6760KZB00	222202	0.676	300	20.0	10
HEXF0300R8580KZB00	222203	0.858	300	17.7	10
HEXF0300R9760KZB00	222204	0.976	300	16.6	10
HEXF03001R080KZB00	222205	1.080	300	15.8	10
HEXF03001R230KZB00	222206	1.230	300	14.8	10
HEXF03001R380KZB00	222207	1.380	300	14.1	10
HEXF03001R560KZB00	222208	1.560	300	13.2	10
HEXF03001R720KZB00	222209	1.720	300	12.6	10
HEXF03001R990KZB00	222210	1.990	300	11.7	10
HEXF03002R200KZB00	222211	2.200	300	11.1	10
HEXF03002R520KZB00	222212	2.520	300	10.4	10
HEXF03002R800KZB00	222213	2.800	300	9.8	10
HEXF03003R160KZB00	222214	3.160	300	9.2	10
HEXF03003R460KZB00	222215	3.460	300	8.8	10
HEXF03003R940KZB00	222216	3.940	300	8.3	10
HEXF03004R360KZB00	222217	4.360	300	7.9	10
HEXF03005R080KZB00	222218	5.080	300	7.3	10
HEXF03005R520KZB00	222219	5.520	300	7.0	10
HEXF03006R500KZB00	222220	6.500	300	6.5	10
HEXF03006R960KZB00	222221	6.960	300	6.2	10
HEXF03007R920KZB00	222222	7.920	300	5.8	10
HEXF03008R820KZB00	222223	8.820	300	5.5	10
HEXF030010R10KZB00	222224	10.100	300	5.2	10
HEXF030011R00KZB00	222225	11.000	300	4.9	10
HEXF030012R60KZB00	222226	12.600	300	4.6	10
HEXF030016R10KZB00	222227	16.100	300	4.1	10
HEXF030020R20KZB00	222228	20.200	300	3.6	10
HEXF030025R40KZB00	222229	25.4	300	3.2	10
HEXF0450R6880KZB00	222240	0.688	450	25.1	10
HEXF0450R8600KZB00	222241	0.860	450	22.4	10
HEXF04501R080KZB00	222242	1.080	450	20.0	10
HEXF04501R370KZB00	222243	1.370	450	17.7	10
HEXF04501R560KZB00	222244	1.560	450	16.6	10
HEXF04501R730KZB00	222245	1.730	450	15.8	10
HEXF04501R970KZB00	222246	1.970	450	14.8	10
HEXF04502R190KZB00	222247	2.190	450	14.1	10



STANDARD ELECTRICAL SPECIFICATIONS					
GLOBAL MODEL	HISTORICAL MODEL	RESISTANCE Ω	POWER RATING W	CURRENT A	TOLERANCE \pm %
HEXF04502R480KZB00	222248	2.480	450	13.2	10
HEXF04502R740KZB00	222249	2.740	450	12.6	10
HEXF04503R160KZB00	222250	3.160	450	11.7	10
HEXF04503R520KZB00	222251	3.520	450	11.1	10
HEXF04504R000KZB00	222252	4.000	450	10.4	10
HEXF04504R450KZB00	222253	4.450	450	9.8	10
HEXF04505R030KZB00	222254	5.030	450	9.2	10
HEXF04505R500KZB00	222255	5.500	450	8.8	10
HEXF04506R280KZB00	222256	6.280	450	8.3	10
HEXF04506R950KZB00	222257	6.950	450	7.9	10
HEXF04508R080KZB00	222258	8.080	450	7.3	10
HEXF04508R780KZB00	222259	8.780	450	7.0	10
HEXF045010R30KZB00	222260	10.300	450	6.5	10
HEXF045011R10KZB00	222261	11.100	450	6.2	10
HEXF045012R60KZB00	222262	12.600	450	5.8	10
HEXF045014R00KZB00	222263	14.000	450	5.5	10
HEXF045016R00KZB00	222264	16.000	450	5.2	10
HEXF045017R60KZB00	222265	17.600	450	4.9	10
HEXF045020R10KZB00	222266	20.100	450	4.6	10
HEXF045025R60KZB00	222267	25.600	450	4.1	10
HEXF045032R10KZB00	222268	32.100	450	3.6	10
HEXF045040R50KZB00	222269	40.5	450	3.2	10
HEXF0600R9430KZB00	222280	0.943	600	25.1	10
HEXF06001R180KZB00	222281	1.180	600	22.4	10
HEXF06001R490KZB00	222282	1.490	600	20.0	10
HEXF06001R890KZB00	222283	1.890	600	17.7	10
HEXF06002R140KZB00	222284	2.140	600	16.6	10
HEXF06002R380KZB00	222285	2.380	600	15.8	10
HEXF06002R700KZB00	222286	2.700	600	14.8	10
HEXF06003R000KZB00	222287	3.000	600	14.1	10
HEXF06003R410KZB00	222288	3.410	600	13.2	10
HEXF06003R750KZB00	222289	3.750	600	12.6	10
HEXF06004R330KZB00	222290	4.330	600	11.7	10
HEXF06004R820KZB00	222291	4.820	600	11.1	10
HEXF06005R480KZB00	222292	5.480	600	10.4	10
HEXF06006R120KZB00	222293	6.120	600	9.8	10
HEXF06006R910KZB00	222294	6.910	600	9.2	10
HEXF06007R550KZB00	222295	7.550	600	8.8	10
HEXF06008R600KZB00	222296	8.600	600	8.3	10
HEXF06009R550KZB00	222297	9.550	600	7.9	10
HEXF060011R10KZB00	222298	11.100	600	7.3	10
HEXF060012R00KZB00	222299	12.000	600	7.0	10
HEXF060014R10KZB00	222300	14.100	600	6.5	10
HEXF060015R30KZB00	222301	15.300	600	6.2	10
HEXF060017R30KZB00	222302	17.300	600	5.8	10
HEXF060019R10KZB00	222303	19.100	600	5.5	10
HEXF060021R90KZB00	222304	21.900	600	5.2	10
HEXF060024R20KZB00	222305	24.200	600	4.9	10
HEXF060027R60KZB00	222306	27.600	600	4.6	10
HEXF060035R00KZB00	222307	35.000	600	4.1	10
HEXF060044R00KZB00	222308	44.000	600	3.6	10
HEXF060055R00KZB00	222309	55	600	3.2	10
HEXF07501R200KZB00	222320	1.200	750	25.1	10
HEXF07501R500KZB00	222321	1.500	750	22.4	10
HEXF07501R890KZB00	222322	1.890	750	20.0	10
HEXF07502R400KZB00	222323	2.400	750	17.7	10
HEXF07502R730KZB00	222324	2.730	750	16.6	10



STANDARD ELECTRICAL SPECIFICATIONS					
GLOBAL MODEL	HISTORICAL MODEL	RESISTANCE Ω	POWER RATING W	CURRENT A	TOLERANCE \pm %
HEXF07503R020KZB00	222325	3.020	750	15.8	10
HEXF07503R440KZB00	222326	3.440	750	14.8	10
HEXF07503R820KZB00	222327	3.820	750	14.1	10
HEXF07504R330KZB00	222328	4.330	750	13.2	10
HEXF07504R770KZB00	222329	4.770	750	12.6	10
HEXF07505R500KZB00	222330	5.500	750	11.7	10
HEXF07506R130KZB00	222331	6.130	750	11.1	10
HEXF07506R950KZB00	222332	6.950	750	10.4	10
HEXF07507R780KZB00	222333	7.780	750	9.8	10
HEXF07508R780KZB00	222334	8.780	750	9.2	10
HEXF07509R600KZB00	222335	9.600	750	8.8	10
HEXF075011R00KZB00	222336	11.000	750	8.3	10
HEXF075012R10KZB00	222337	12.100	750	7.9	10
HEXF075014R10KZB00	222338	14.100	750	7.3	10
HEXF075015R30KZB00	222339	15.300	750	7.0	10
HEXF075017R90KZB00	222340	17.900	750	6.5	10
HEXF075019R40KZB00	222341	19.400	750	6.2	10
HEXF075022R00KZB00	222342	22.000	750	5.8	10
HEXF075024R30KZB00	222343	24.300	750	5.5	10
HEXF075027R90KZB00	222344	27.900	750	5.2	10
HEXF075030R80KZB00	222345	30.800	750	4.9	10
HEXF075035R10KZB00	222346	35.100	750	4.6	10
HEXF075044R50KZB00	222347	44.500	750	4.1	10
HEXF075056R00KZB00	222348	56.000	750	3.6	10
HEXF075070R70KZB00	222349	70.7	750	3.2	10
HEXF09001R450KZB00	222360	1.450	900	25.1	10
HEXF09001R820KZB00	222361	1.820	900	22.4	10
HEXF09002R30KZB00	222362	2.300	900	20.0	10
HEXF09002R910KZB00	222363	2.910	900	17.7	10
HEXF09003R310KZB00	222364	3.310	900	16.6	10
HEXF09003R660KZB00	222365	3.660	900	15.8	10
HEXF09004R170KZB00	222366	4.170	900	14.8	10
HEXF09004R630KZB00	222367	4.630	900	14.1	10
HEXF09005R260KZB00	222368	5.260	900	13.2	10
HEXF09005R790KZB00	222369	5.790	900	12.6	10
HEXF09006R680KZB00	222370	6.680	900	11.7	10
HEXF09007R450KZB00	222371	7.450	900	11.1	10
HEXF09008R450KZB00	222372	8.450	900	10.4	10
HEXF09009R450KZB00	222373	9.450	900	9.8	10
HEXF090010R70KZB00	222374	10.700	900	9.2	10
HEXF090011R60KZB00	222375	11.600	900	8.8	10
HEXF090013R30KZB00	222376	13.300	900	8.3	10
HEXF090014R70KZB00	222377	14.700	900	7.9	10
HEXF090017R10KZB00	222378	17.100	900	7.3	10
HEXF090018R60KZB00	222379	18.600	900	7.0	10
HEXF090021R60KZB00	222380	21.600	900	6.5	10
HEXF090023R50KZB00	222381	23.500	900	6.2	10
HEXF090026R70KZB00	222382	26.700	900	5.8	10
HEXF090029R50KZB00	222383	29.500	900	5.5	10
HEXF090033R80KZB00	222384	33.800	900	5.2	10
HEXF090037R30KZB00	222385	37.300	900	4.9	10
HEXF090042R60KZB00	222386	42.600	900	4.6	10
HEXF090054R00KZB00	222387	54.000	900	4.1	10
HEXF090067R80KZB00	222388	67.800	900	3.6	10
HEXF090085R70KZB00	222389	85.7	900	3.2	10
HEXF10501R710KZB00	222400	1.710	1050	25.1	10
HEXF10502R140KZB00	222401	2.140	1050	22.4	10



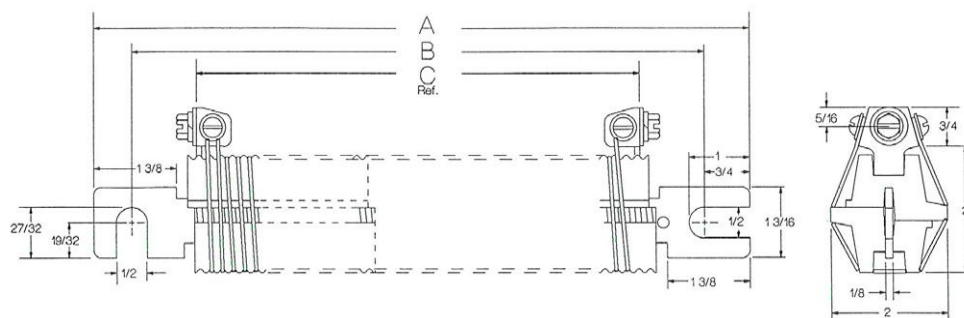
STANDARD ELECTRICAL SPECIFICATIONS					
GLOBAL MODEL	HISTORICAL MODEL	RESISTANCE Ω	POWER RATING W	CURRENT A	TOLERANCE \pm %
HEXF10502R700KZB00	222402	2.700	1050	20.0	10
HEXF10503R420KZB00	222403	3.420	1050	17.7	10
HEXF10503R900KZB00	222404	3.900	1050	16.6	10
HEXF10504R320KZB00	222405	4.320	1050	15.8	10
HEXF10504R900KZB00	222406	4.900	1050	14.8	10
HEXF10505R450KZB00	222407	5.450	1050	14.1	10
HEXF10506R180KZB00	222408	6.180	1050	13.2	10
HEXF10506R800KZB00	222409	6.800	1050	12.6	10
HEXF10507R850KZB00	222410	7.850	1050	11.7	10
HEXF10508R760KZB00	222411	8.760	1050	11.1	10
HEXF10509R930KZB00	222412	9.930	1050	10.4	10
HEXF105011R10KZB00	222413	11.100	1050	9.8	10
HEXF105012R50KZB00	222414	12.500	1050	9.2	10
HEXF105013R70KZB00	222415	13.700	1050	8.8	10
HEXF105015R60KZB00	222416	15.600	1050	8.3	10
HEXF105017R30KZB00	222417	17.300	1050	7.9	10
HEXF105020R10KZB00	222418	20.100	1050	7.3	10
HEXF105021R80KZB00	222419	21.800	1050	7.0	10
HEXF105025R40KZB00	222420	25.400	1050	6.5	10
HEXF105027R70KZB00	222421	27.700	1050	6.2	10
HEXF105031R40KZB00	222422	31.400	1050	5.8	10
HEXF105034R70KZB00	222423	34.700	1050	5.5	10
HEXF105039R80KZB00	222424	39.800	1050	5.2	10
HEXF105044R00KZB00	222425	44.000	1050	4.9	10
HEXF105050R00KZB00	222426	50.000	1050	4.6	10
HEXF105063R70KZB00	222427	63.700	1050	4.1	10
HEXF105080R00KZB00	222428	80.000	1050	3.6	10
HEXF1050101R0KZB00	222429	101	1050	3.2	10
HEXF12001R970KZB00	222440	1.970	1200	25.1	10
HEXF12002R460KZB00	222441	2.460	1200	22.4	10
HEXF12003R100KZB00	222442	3.100	1200	20.0	10
HEXF12003R930KZB00	222443	3.930	1200	17.7	10
HEXF12004R480KZB00	222444	4.480	1200	16.6	10
HEXF12004R960KZB00	222445	4.960	1200	15.8	10
HEXF12005R650KZB00	222446	5.650	1200	14.8	10
HEXF12006R260KZB00	222447	6.260	1200	14.1	10
HEXF12007R100KZB00	222448	7.100	1200	13.2	10
HEXF12007R820KZB00	222449	7.820	1200	12.6	10
HEXF12009R030KZB00	222450	9.030	1200	11.7	10
HEXF120010R10KZB00	222451	10.100	1200	11.1	10
HEXF120011R40KZB00	222452	11.400	1200	10.4	10
HEXF120012R70KZB00	222453	12.700	1200	9.8	10
HEXF120014R40KZB00	222454	14.400	1200	9.2	10
HEXF120015R70KZB00	222455	15.700	1200	8.8	10
HEXF120018R00KZB00	222456	18.000	1200	8.3	10
HEXF120019R90KZB00	222457	19.900	1200	7.9	10
HEXF120023R10KZB00	222458	23.100	1200	7.3	10
HEXF120025R10KZB00	222459	25.100	1200	7.0	10
HEXF120029R30KZB00	222460	29.300	1200	6.5	10
HEXF120031R80KZB00	222461	31.800	1200	6.2	10
HEXF120036R00KZB00	222462	36.000	1200	5.8	10
HEXF120039R90KZB00	222463	39.900	1200	5.5	10
HEXF120045R70KZB00	222464	45.700	1200	5.2	10
HEXF120050R50KZB00	222465	50.500	1200	4.9	10
HEXF120057R60KZB00	222466	57.600	1200	4.6	10
HEXF120073R20KZB00	222467	73.200	1200	4.1	10
HEXF120091R70KZB00	222468	91.700	1200	3.6	10



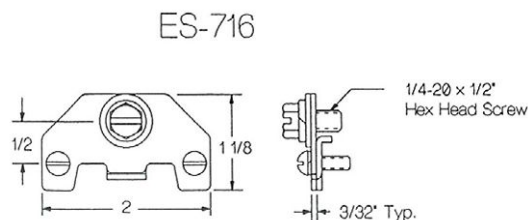
STANDARD ELECTRICAL SPECIFICATIONS					
GLOBAL MODEL	HISTORICAL MODEL	RESISTANCE Ω	POWER RATING W	CURRENT A	TOLERANCE \pm %
HEXF1200116R0KZB00	222469	116	1200	3.2	10

MATERIAL SPECIFICATIONS	
Element	Copper-nickel, nickel-chrome
Core	Electrical porcelain
Coating	None
Standard terminals	Stainless steel
Part marking	Part number, value, date code, MRC

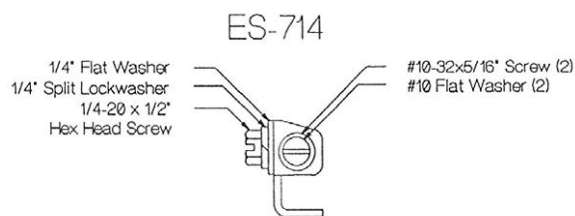
DIMENSIONS in inches (millimeters)



WATTAGE	A	B	C	WEIGHT (TYP.) g
300	8.875 (225.425)	7.25 (184.15)	5.625 (142.875)	800
450	12.25 (311.15)	11 (279.4)	8.625 (219.075)	1000
600	15.25 (387.35)	14 (355.6)	11.625 (295.275)	1250
750	18.25 (463.55)	17 (431.8)	14.625 (371.475)	1500
900	21.25 (539.75)	20 (508)	17.625 (447.675)	1750
1050	24.25 (539.75)	23 (584.2)	20.625 (523.875)	2500
1200	27.25 (692.15)	26 (660.4)	23.625 (600.075)	3000



Movable Tap Terminal



Standard Terminal Hardware



GLOBAL PART NUMBER INFORMATION																	
Global Part Numbering example: HEXF10506R800KZB00 (HEX1050 6.8 10 % 5/8LSteel714 B)																	
H	E	X	F	1	0	5	0	6	R	8	0	0	K	Z	B	0	0
MODEL (3 digits)	TYPE (1 digit)	SIZE (4 digits)	VALUE (5 digits)	TOLERANCE (1 digit)	TERMINAL (1 digit)	PACKAGING (1 digit)	SPECIAL (2 digits)										
HEX	A = Adjustable F = Fixed	0030 = 30 W 1200 = 1200 W Available sizes: 0300 0450 0600 0750 0900 1050 1200	R = Decimal R1500 = 0.15 Ω Check datasheet for available value range	K = ± 10 %	Z = 5/8" lug with steel hardware (5/8LSteel714)	B = Bulk	00 = Standard CC = Competitor cross (750 W only)										



Disclaimer

ALL PRODUCT, PRODUCT SPECIFICATIONS AND DATA ARE SUBJECT TO CHANGE WITHOUT NOTICE TO IMPROVE RELIABILITY, FUNCTION OR DESIGN OR OTHERWISE.

Vishay Intertechnology, Inc., its affiliates, agents, and employees, and all persons acting on its or their behalf (collectively, "Vishay"), disclaim any and all liability for any errors, inaccuracies or incompleteness contained in any datasheet or in any other disclosure relating to any product.

Vishay makes no warranty, representation or guarantee regarding the suitability of the products for any particular purpose or the continuing production of any product. To the maximum extent permitted by applicable law, Vishay disclaims (i) any and all liability arising out of the application or use of any product, (ii) any and all liability, including without limitation special, consequential or incidental damages, and (iii) any and all implied warranties, including warranties of fitness for particular purpose, non-infringement and merchantability.

Statements regarding the suitability of products for certain types of applications are based on Vishay's knowledge of typical requirements that are often placed on Vishay products in generic applications. Such statements are not binding statements about the suitability of products for a particular application. It is the customer's responsibility to validate that a particular product with the properties described in the product specification is suitable for use in a particular application. Parameters provided in datasheets and / or specifications may vary in different applications and performance may vary over time. All operating parameters, including typical parameters, must be validated for each customer application by the customer's technical experts. Product specifications do not expand or otherwise modify Vishay's terms and conditions of purchase, including but not limited to the warranty expressed therein.

Hyperlinks included in this datasheet may direct users to third-party websites. These links are provided as a convenience and for informational purposes only. Inclusion of these hyperlinks does not constitute an endorsement or an approval by Vishay of any of the products, services or opinions of the corporation, organization or individual associated with the third-party website. Vishay disclaims any and all liability and bears no responsibility for the accuracy, legality or content of the third-party website or for that of subsequent links.

Except as expressly indicated in writing, Vishay products are not designed for use in medical, life-saving, or life-sustaining applications or for any other application in which the failure of the Vishay product could result in personal injury or death. Customers using or selling Vishay products not expressly indicated for use in such applications do so at their own risk. Please contact authorized Vishay personnel to obtain written terms and conditions regarding products designed for such applications.

No license, express or implied, by estoppel or otherwise, to any intellectual property rights is granted by this document or by any conduct of Vishay. Product names and markings noted herein may be trademarks of their respective owners.