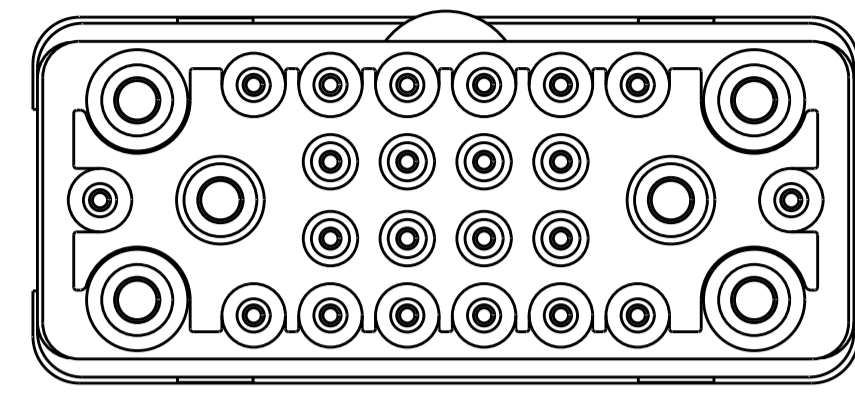
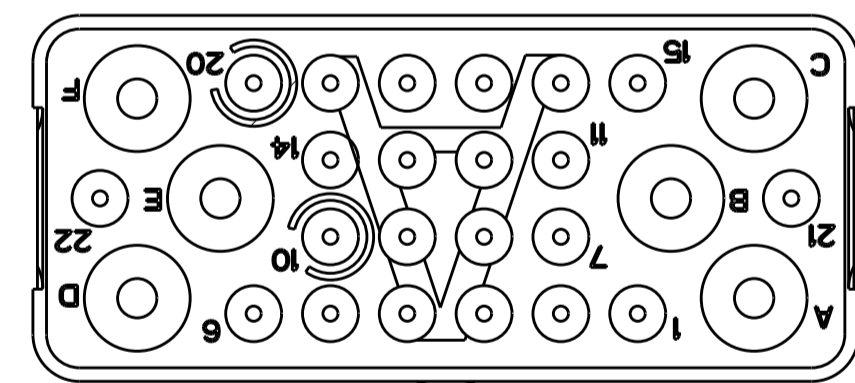
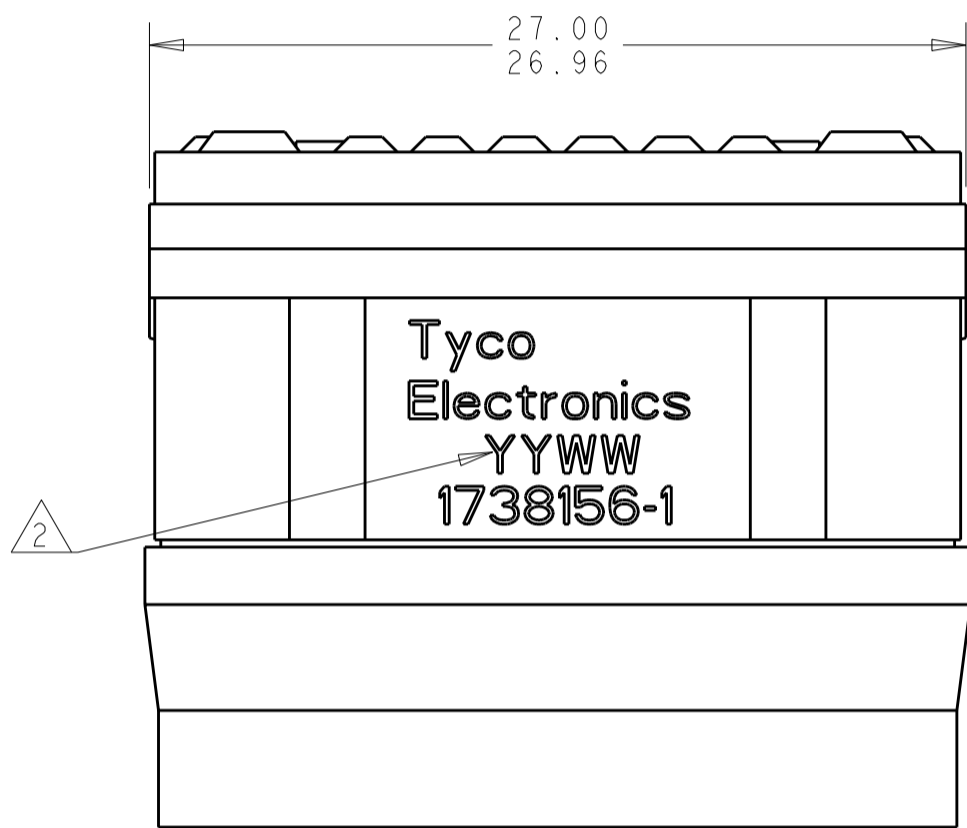
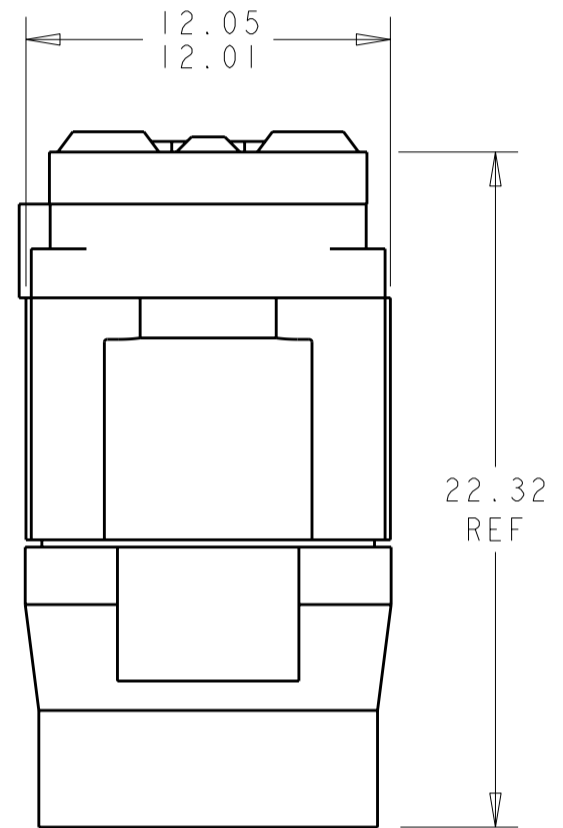


THIS DRAWING IS UNPUBLISHED. RELEASED FOR PUBLICATION 2009
 © COPYRIGHT 2009 BY TYCO ELECTRONICS CORPORATION. ALL INTERNATIONAL RIGHTS RESERVED.

LOC		DIST		REVISIONS			
P	LTR	DESCRIPTION	DATE	DWN	APVD		
	1	REDRAWN IN PRO/E	04MAY2010	RF	JM		



MATING FACE



1 FRONT & REAR INSULATOR: HIGH-TEMP THERMOPLASTIC OR THERMOSET EPOXY PER ASTM D5948.
 CONTACT RETENTION CLIPS: STAINLESS STEEL PER AISI 302 OR COPPER ALLOY PER ASTM B194
 REAR GROMMET & INTERFACIAL SEAL: FLUROSILICONE ELASTOMER PER MIL-R-25988 B, EXCEPT 4.6.6.1

2 DATE CODE: YEAR & WEEK (YY WW)

3. DESCRIPTIVE PART NUMBER: GPRBE28PA
 THIS INSERT CONTAINS:
 22 CAVITIES FOR SIZE 22 PIN CONTACTS
 6 CAVITIES FOR SIZE 15 OR 16 PIN CONTACTS.

THIS PRINT IS
PRELIMINARY
 UNQUALIFIED PRODUCT
 CONTACT PRODUCT ENGINEERING
 BEFORE USING THIS PRINT

1738156-1
 PART NUMBER

THIS DRAWING IS A CONTROLLED DOCUMENT FOR TYCO ELECTRONICS CORPORATION IT IS SUBJECT TO CHANGE AND THE CONTROLLING ENGINEERING ORGANIZATION SHOULD BE CONTACTED FOR THE LATEST REVISION.		DWN	BH	04MAY10	Tyco Electronics Harrisburg, PA 17105-3608	
DIMENSIONS:		CHK	JPM	04MAY10	NAME	
mm	TOLERANCES UNLESS OTHERWISE SPECIFIED:	APVD	JPM	04MAY10	INSERT ASSEMBLY, PIN, ENVIRONMENTAL, ARRANGEMENT 28, KEY A, GPRB	
	0 PLC ±0.1 1 PLC ±0.1 2 PLC ±0.05 3 PLC ± 4 PLC ±	PRODUCT SPEC	-	SIZE	CAGE CODE	DRAWING NO
	ANGLES ± FINISH	APPLICATION SPEC	-	A2	00779	C-1738156
MATERIAL	1	WEIGHT	-	RESTRICTED TO	-	
		CUSTOMER DRAWING	SCALE	6:1	SHEET	OF