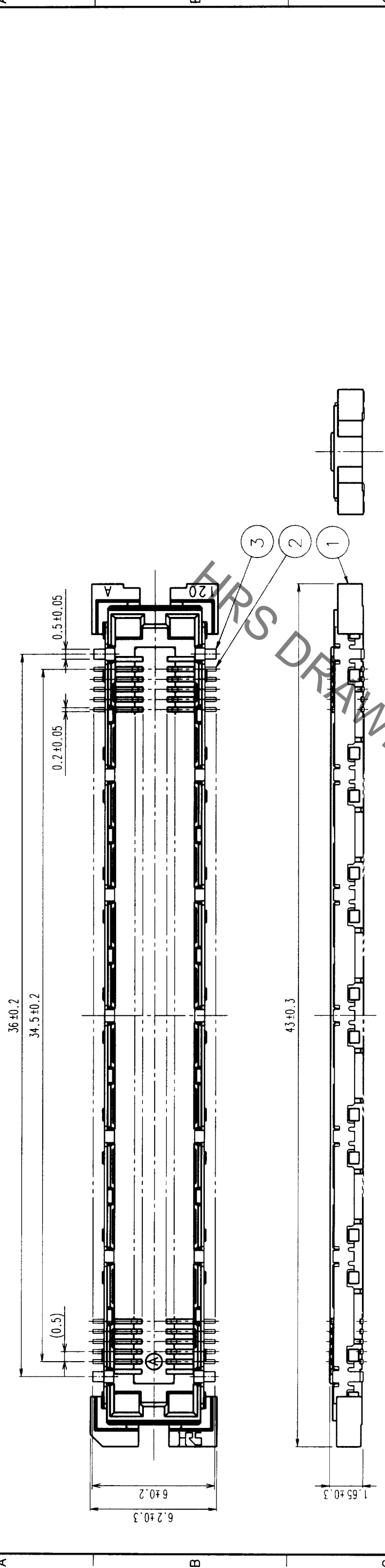


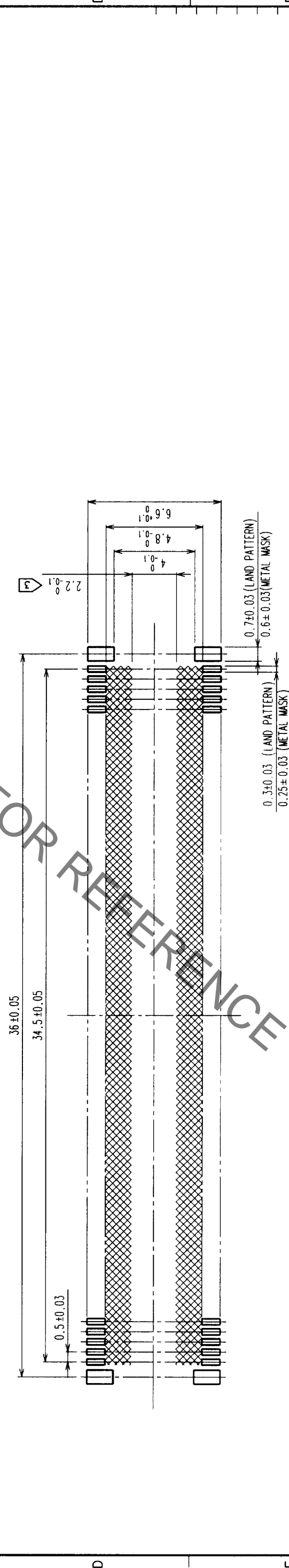
May 1, 2023 Copyright 2023 HIROSE ELECTRIC CO., LTD. All Rights Reserved.
 In case of consideration for using Automotive equipment / device which demand high reliability, kindly contact our sales window correspondents.

1 2 3 4 5 6 7 8

COUNT	DESCRIPTION OF REVISIONS	BY	CHKD	DATE	COUNT	DESCRIPTION OF REVISIONS	BY	CHKD	DATE
△					△				
△					△				
△					△				



RECOMMENDED LAND PATTERN DIMENSION OF PSB



- NOTES
- SMT LEAD-COPLANARITY: 0.1 MAX
 - THIS PRODUCT HAS NO POLARITY TO PATTERN FOR MOUNTING.
 - MAKE SURE WIDTH OF PATTERN IS WITHIN THAT OF LAND .OR LEAD MAY TOUCH PATTERN. (THIS APPLIES TO HATCHED AREA.)
 - TO BE EMBOSSED CARRIER TAPED AS SPECIFIED IN SHEET 2.

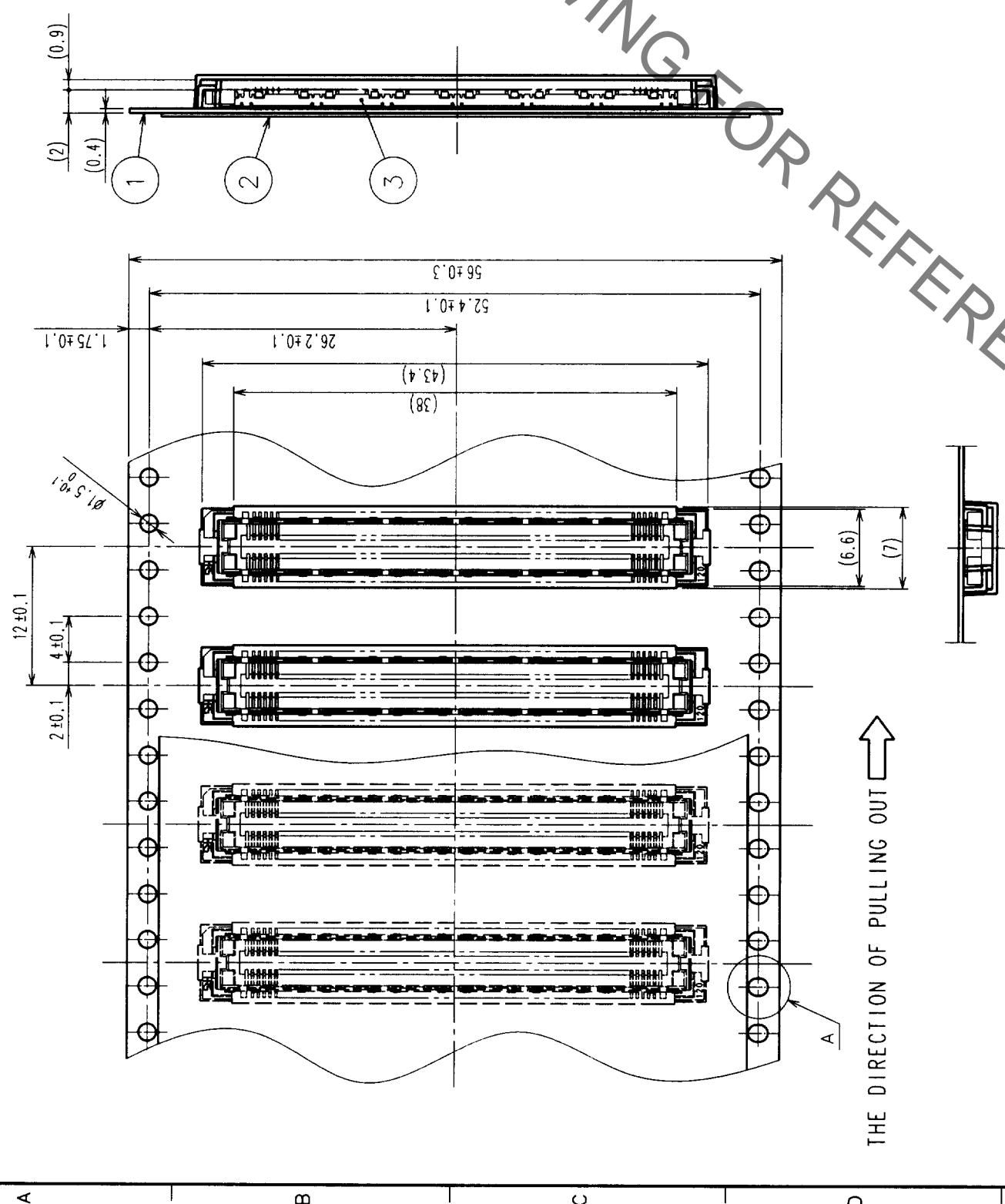
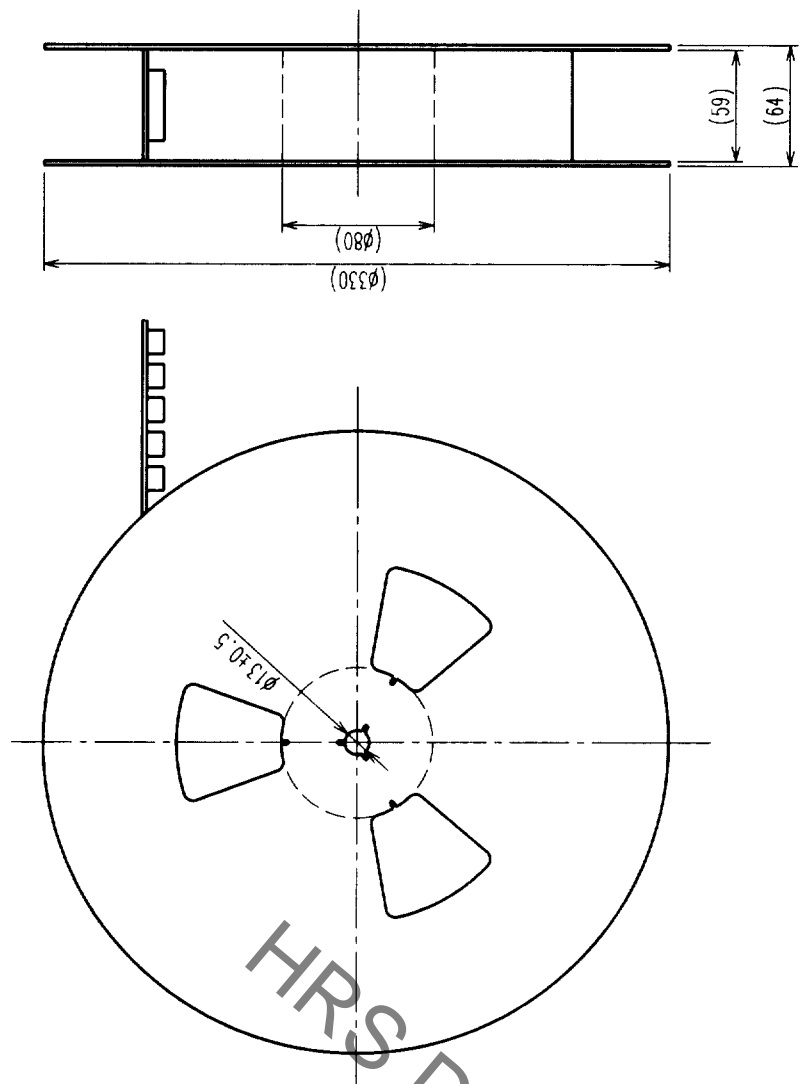
NO.	PHOSPHOR BRONZE	FINISH, REMARKS	NO.	PHOSPHOR BRONZE	TIN PLATED
2	PHOSPHOR BRONZE	CONTACT AREA: GOLD (0.1μm) OVER NICKEL	3	PHOSPHOR BRONZE	TIN PLATED
1	LCP	BEIGE UL94V-0			
NO.	MATERIAL	FINISH, REMARKS	NO.	MATERIAL	FINISH, REMARKS
CODE NO. (OLD)	CL		DESIGNED	CHECKED	APPROVED
			RELEASED		

DRAWING NO.	EDC3-152123-01	PART NO.	FX11LB-140S-SV (21)
SCALE	5 : 1	CODE NO.	CL573-0155-8-21
UNITS	mm		

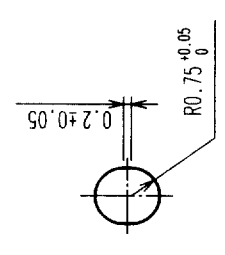
TO	
PCK	

COUNT	DESCRIPTION OF REVISIONS	BY	CHKD	DATE	COUNT	DESCRIPTION OF REVISIONS	BY	CHKD	DATE
△					△				
△					△				
△					△				

REELED DIMENSION (Free)



A (5:1)



- NOTES
- 1 REEL: 1000 CONNECTORS.
 - 2 MINIMUM 10 COMPARTMENTS FROM BOTH REEL ENDS REMAIN EMPTY.
 - 3 THIS PRODUCT HAS NO POLARITY TO TAPE AND REEL PACKAGING.

2	PET	TOP COVER TAPE	3	(CONNECTOR)	FINISH, REMARKS
1	PS	EMBOSSED CARRIER TAPE	3		
NO.	MATERIAL	FINISH, REMARKS	NO.	MATERIAL	FINISH, REMARKS
CODE NO. (OLD)	CL		DRAWN	DESIGNED	CHECKED
			<i>M. Nakamura</i>	<i>M. Nakamura</i>	<i>M. Nakamura</i>
DRAWING FOR PACKING		DRAWING NO. FX11LB-140S-SV(21)			
SCALE 2:1		PART NO. EDC3-152123-01			
UNITS (MM)		CODE NO. CL573-0155-8-21			

TO	
PCK	