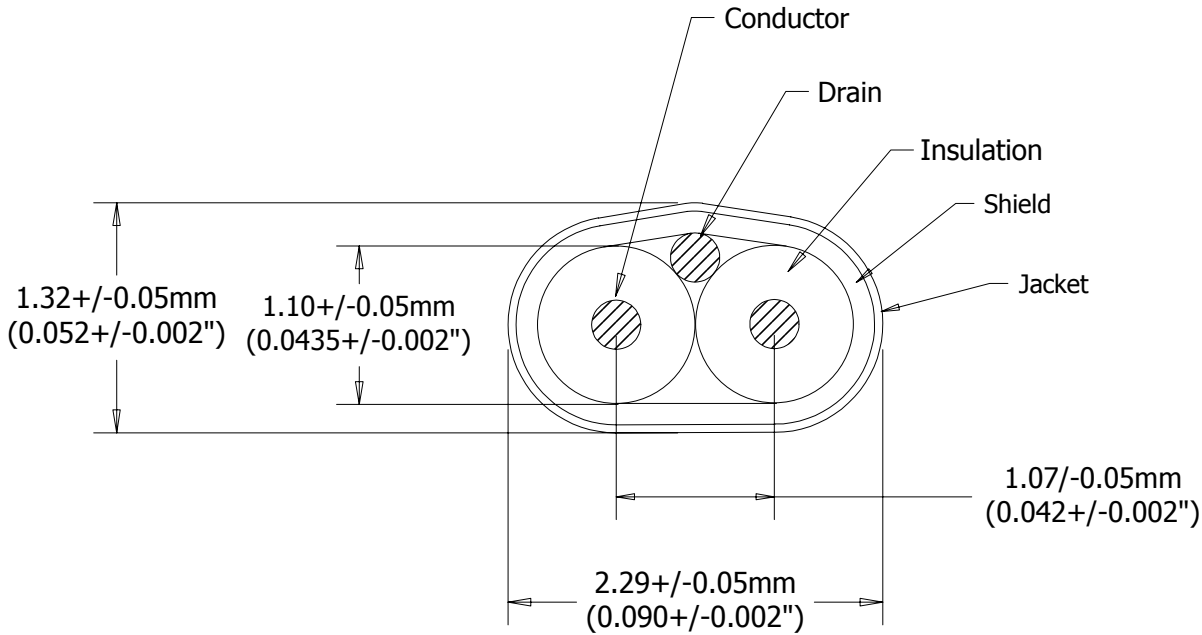


| TITLE | PART No. | REV | PAGE |
|---|------------|-----|--------|
| Shielded Pair 28 AWG, 100 Ohm Twinax | 1000680108 | B | 1 of 1 |



| Based on 4.0m Test Length | | |
|---------------------------|---------|---------|
| Freq (GHz) | SDD21 | |
| | Nom. dB | Max. dB |
| 2.50 | 6.14 | 6.37 |
| 5.00 | 8.91 | 9.31 |
| 7.50 | 11.12 | 11.65 |
| 10.00 | 13.15 | 14.10 |
| 12.89 | 15.28 | 16.50 |
| 15.00 | 16.81 | 18.40 |
| 17.50 | 18.44 | 20.30 |
| 20.00 | 20.02 | 22.85 |
| 22.50 | 21.82 | 25.85 |
| 25.00 | 23.45 | 29.73 |

NOTES

Construction:

- Conductor: 28 AWG, 0.34mm (0.0134") Solid SPC
- Insulation: Fluoropolymer
- Drain Wire: 28 AWG, 0.32mm (0.0126") Solid SPC
- Shield: Aluminum / Polyester, 0.023mm (0.0009") Thickness Ref.
- Jacket: Polyester, Heat Sealed, 0.025mm (0.001") Thickness Ref.
- Safety Compliance: UL AWM STYLE 22058

Electrical Characteristics:

(Based on a 4m Length)

- Differential Impedance: 100+/-5 Ohms
- Propagation Delay: 4.8 ns/m Ref.
- Intra-Pair Skew: 40 ps/4m Max.

SCD21

f < 25.0 GHz: ≥ 20 dB

SCD21-SDD21

- 0.01 ≤ f < 12.89 GHz: ≥ 12 dB
- 12.89 ≤ f < 15.7 GHz: ≥ (29-(29/22)*f) dB
- 15.7 ≤ 25.0 GHz: ≥ 8.3 dB



Print Legend: MOLEX TEMP-FLEX(R) <LOCATION CODE: US or PHL or GDL>TWINMAX(TM) 28 AWG 1000680108

--- E61522 <UL CODE: -MPI for PHL, <blank> for US, -MDM for GDL> STYLE 22058 cRUus AWM I A/B 105C 30V FT1 VW-1 --- <TRACEABILITY>

| This document is the property of TEMP-FLEX. It may not be disclosed, reproduced, or otherwise used without permission. | Rev | DCR | Description | App'd | Date |
|--|-----|------|------------------------|-------|---------|
| | A | 5314 | Release to Production. | KP | 9/5/17 |
| | B | 5370 | Update Print Legend. | KP | 1/11/18 |