

GlobTek, Inc. www.globtek.com 186 Veterans Drive, Northvale, NJ 07647 Tel. (201) 784-1000 Fax (201) 784-0111	Drawing Title: STEREO JACK 3.50	
	Model No. <a href="#">Connector</a>	Part No./Ordering No. <a href="#">G-1362</a>
		Rev A

In Addition to GlobTek Inc.'s renewed ISO9001:2008 - Quality Management System Certification, GlobTek Inc. is now certified to:

ISO13485:2003 - Medical Devices Quality Management System Certification  
ISO14001:2004 - Environmental Management System Certification

ISO Certificates are available online at <http://www.globtek.com/iso-certificates/>

The acceptance of this specification and use of the product described in this document indicates the acceptance and binding of the customer to Globtek TERMS AND CONDITIONS (attached to the end of this document), which supersede all other agreements, terms, and conditions (<http://en.globtek.com/terms-and-conditions/>).

Prop 65 Statement:<https://en.globtek.com/prop-65-statement.pdf>

Footnote:

GlobTek Inc. will not be liable for the safety and performance of these power supplies if unauthorized access and repair occurs. End user should consult applicable UL, CSA or EN standards for proper installation instruction.

Limitation of Use:

GlobTek products are intended for use with commercial, medical, and/or industrial equipment only. GlobTek product are not authorized for use as mission critical components in life support hazardous environment, nuclear or aircraft applications without prior written approval from the CEO of GlobTek Inc.

Contents of this document are subject to change without prior notice.

**Customer Approval of Specification:**

Please approve, sign and send back to GlobTek so we can complete order processing.

A delay in receipt of this form will delay delivery schedule.

Company Name: _____	Customer P/N: _____
Quote Number: _____	Date: _____
Authorized Representative Name: _____	Authorized Representative Signature: _____

GlobTek, Inc. www.globtek.com 186 Veterans Drive, Northvale, NJ 07647 Tel. (201) 784-1000 Fax (201) 784-0111	Drawing Title: STEREO JACK 3.50	
	Model No. <a href="#">Connector</a>	Rev A
Part No./Ordering No. <a href="#">G-1362</a>		

## REVISION HISTORY

REV	DESCRIPTION	SUB	DATE	APPROVED
A	re-release	DR	03/01/2022	QA

### AGENCY ONLINE DOCUMENTS

RoHS/RoHS3 Declaration	<a href="https://www.globtek.com/pdf/rohs_cert/01t3000002p8o1AAA">https://www.globtek.com/pdf/rohs_cert/01t3000002p8o1AAA</a>
REACH Declaration	<a href="https://www.globtek.com/pdf/iso_certificates/REACH.pdf">https://www.globtek.com/pdf/iso_certificates/REACH.pdf</a>
Conflict Minerals Declaration	<a href="https://www.globtek.com/pdf/conflict-minerals.pdf">https://www.globtek.com/pdf/conflict-minerals.pdf</a>
Prop 65 Statement	<a href="https://en.globtek.com/prop-65-statement.pdf">https://en.globtek.com/prop-65-statement.pdf</a>

IPXY rating is based on 3rd party testing and customers should check suitability and test system level IPXY rating before ordering.

### Specifications:

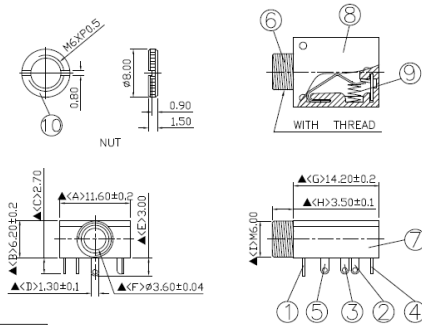
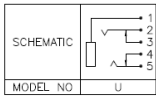
Contact resistance: 30 mΩ Max

Insulation Resistance: 100 mΩ min. at DC 500V

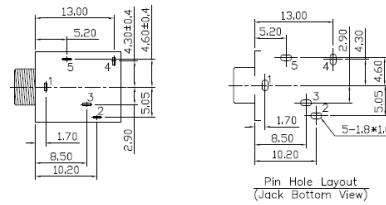
Dielectric Withstand Voltage AC 500V for one minute

▲ = critical dimensions

### Mechanical drawing



NO.	Description	Material	QTY	Finish
10.	NUT	Low lead Brass Rod	1	Nickel plated
9.	Spring	SUS-304	1	
8.	Cover	PC	1	Trans Parent
7.	Housing	POM	1	Black Color
6.	Barrel(W/Thread)	Low lead Brass Rod	1	Nickel plated
5.	Tip Spring	0.25T Phosphor Bronze	1	Silver Plated
4.	Break Terminal	0.4T Brass	1	Silver Plated
3.	Break Terminal	0.4T Brass	1	Silver Plated
2.	Ring Spring	0.25T Phosphor Bronze	1	Silver Plated
1.	Earth Terminal	0.4T Brass	1	Silver Plated



### PROPRIETARY INFORMATION

PROPRIETARY OF GLOBTEK, INC. ANY REPRODUCTION, DISCLOSURE OR USE OF THIS DRAWING, IN WHOLE OR IN PART, IS HEREBY PROHIBITED EXCEPT AS SPECIFIED IN WRITING BY GLOBTEK, INC. © GlobTek, Inc. 2012 - 2023

quest /05/10/2023 11:14:39 AM

GlobTek, Inc. www.globtek.com 186 Veterans Drive, Northvale, NJ 07647 Tel. (201) 784-1000 Fax (201) 784-0111	Drawing Title: STEREO JACK 3.50	
	Model No. <a href="#">Connector</a>	
	Part No./Ordering No. <a href="#">G-1362</a>	Rev A

**PACKAGING**

Packing Spec P/N: \_\_\_\_\_

Box Qty:                     1                    

Gift Box Size (mm): \_\_\_\_\_

Gift Box Color:                     White                    

Master Carton Size (mm):                     TBD                    

Master Carton Cubic  
Volume (m³):                     0.00                    

Master GW (Kg):                     kg                    

wt Ea. (Kg):                     kg                    

wt Ea. (Kg):                     kg                    

LABEL SPECS:                     ,                    

PACK SPEC: \_\_\_\_\_