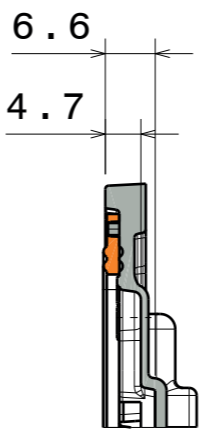
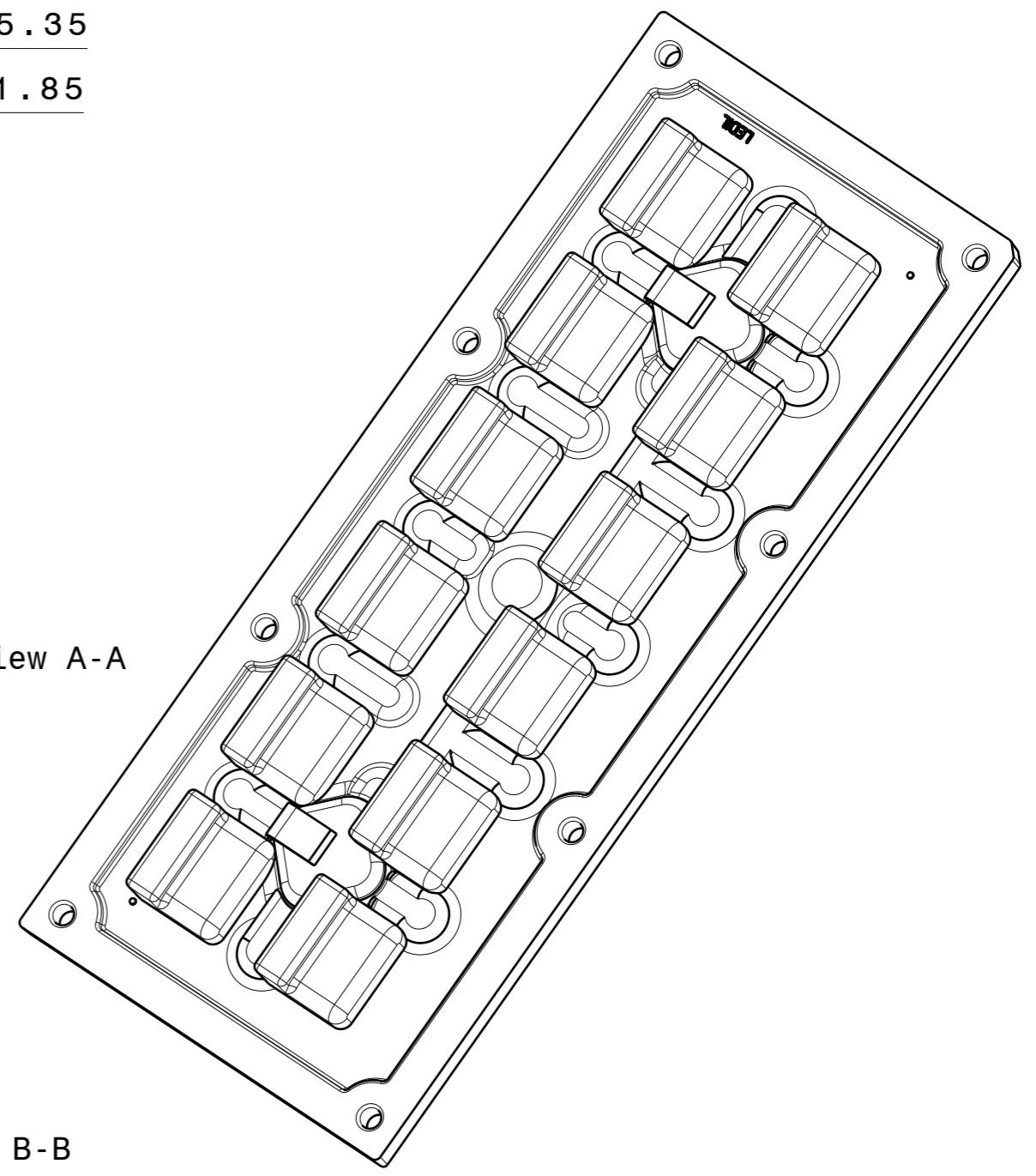


Section view A-A



Section view B-B



INDEX	PART NO	DESCRIPTION	MATERIAL	COLOUR
1	C15880	STRADA-IP-2X6-T2-B-90	PMMA	Clear
2	C14018	2X6-SEAL25	Silicone	white

Plastic moulding general tolerances according to DIN 16901-130 and applies if not otherwise shown in the drawing.  
 Silicone moulding general tolerances according to ISO 3302-1 Class M3 and applies if not otherwise shown in the drawing.

**LEDiL** Ledil Oy  
 Salorankatu 10  
 FIN 24240 SALO  
 Finland

THIRD ANGLE PROJECTION:

DRAWING TITLE  
**CS15886\_STRADA-IP-2X6-T2-90**

This drawing is the property of LEDiL Oy. It may not be reproduced, copied or communicated without a written agreement with LEDiL Oy.

SIZE	PART NUMBER
<b>A3</b>	<b>CS15886</b>

SCALE	1:1	WEIGHT	57,8 g	SHEET	1/1
-------	-----	--------	--------	-------	-----