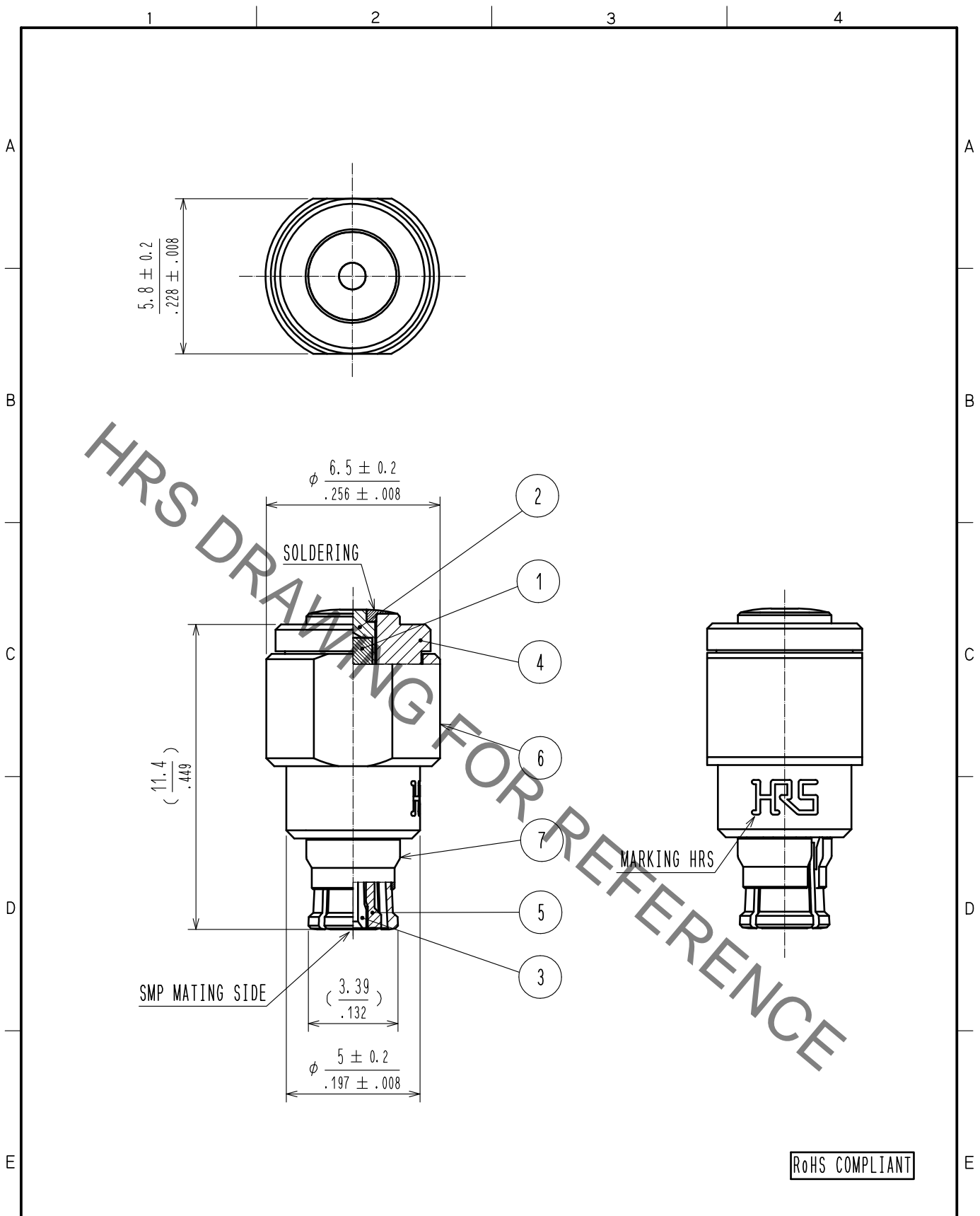


May.1.2023 Copyright 2023 HIROSE ELECTRIC CO., LTD. All Rights Reserved.
 In case of consideration for using Automotive equipment / device which demand high reliability, kindly contact our sales window correspondents.



4	BRASS	GOLD PLATING					
3	BERYLLIUM COPPER	GOLD PLATING	7	BERYLLIUM COPPER	GOLD PLATING		
2	BRASS	GOLD PLATING	6	BERYLLIUM COPPER	GOLD PLATING		
1	RESISTANCE	50Ω	5	PTFE			
NO.	MATERIAL	FINISH .	REMARKS	NO.	MATERIAL	FINISH .	REMARKS

UNITS mm		SCALE 5 : 1	COUNT 	DESCRIPTION OF REVISIONS	DESIGNED	CHECKED	DATE
HRS HIROSE ELECTRIC CO., LTD.		APPROVED : KH. IKEDA	17. 09. 08	DRAWING NO.	EDC-375383-00-00		
		CHECKED : TS. NOBE	17. 09. 08	PART NO.	SMP-TMJ		
		DESIGNED : AH. MARUYAMA	17. 09. 08	CODE NO.	CL353-0024-0-00		
		DRAWN : AH. MARUYAMA	17. 09. 08				1/1