

10 9 8 7 6 5 4 3 2 1

F

E

D

C

B

A

F

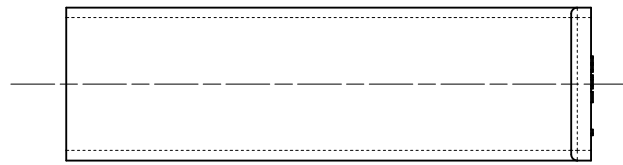
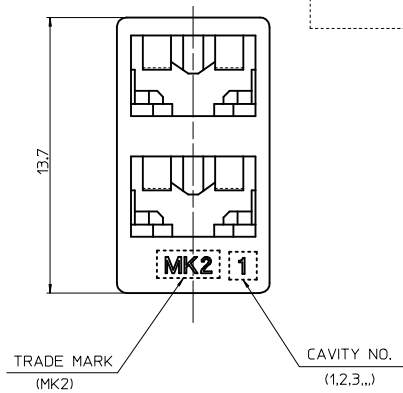
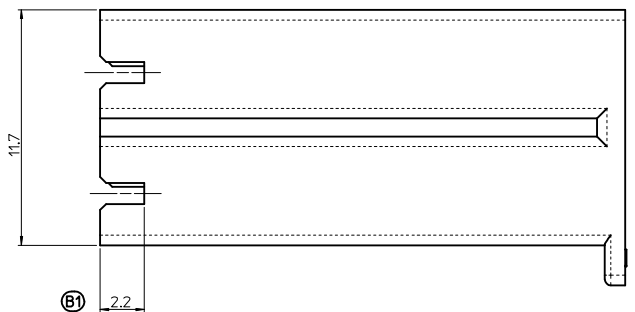
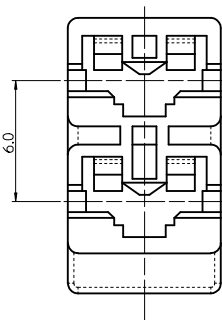
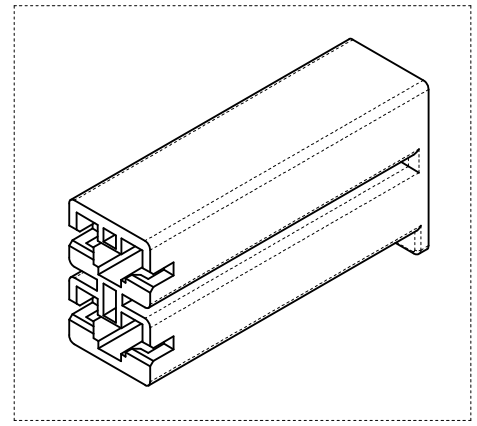
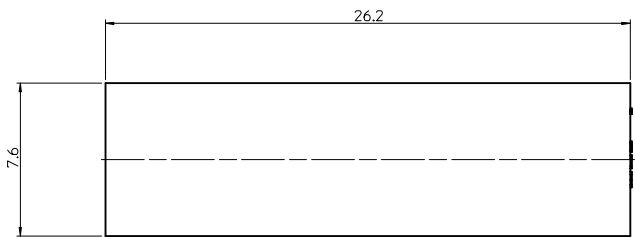
E

D

C

B

A



NOTES

1. MATERIAL : POLYAMIDE66, NO GLASS FILLED, UL94V-2.

NO.	MATERIAL NO.	PART NO.	COLOR
1.	351890200	35189-0200	NATURAL
2.	351890202	35189-0202	RED
3.	351890203	35189-0203	YELLOW
4.	351890204	35189-0204	BLUE

2. APPLICABLE TERMINAL : 35068-9\*\*2

REVISED EC NO: KOR2015-0096 DRWN: SCHONG03 2014/06/09 CHKD: SHCHU 2014/06/09 APPR:	QUALITY SYMBOLS ▽=0 ◻=0	GENERAL TOLERANCES (UNLESS SPECIFIED) mm INCH 4 PLACES ± --- ± --- 3 PLACES ± --- ± --- 2 PLACES ± --- ± --- 1 PLACE ± 0.3 ± --- 0 PLACE ± --- ± --- ANGULAR ± 1 °	DIMENSION STYLE MM ONLY DRAWN BY SCHONG03 DATE 2014/06/09 CHECKED BY SHCHU DATE 2014/06/09 APPROVED BY DATE	SCALE 5:1 DESIGN UNITS METRIC THIRD ANGLE PROJECTION	TITLE .187 MP-Lock HOUSING -2P (6.0MM PITCH) molex DOCUMENT NO. SD-35189-0200 SHEET NO. 1 OF 1
	DRAFT WHERE APPLICABLE MUST REMAIN WITHIN DIMENSIONS	MATERIAL NO. SEE NOTES SIZE A3	THIS DRAWING CONTAINS INFORMATION THAT IS PROPRIETARY TO MOLEX INCORPORATED AND SHOULD NOT BE USED WITHOUT WRITTEN PERMISSION		
	REV B1	DESCRIPTION	DESCRIPTION		
	REV B1	DESCRIPTION	DESCRIPTION		

9 8 7 6 5 4 3 2 1