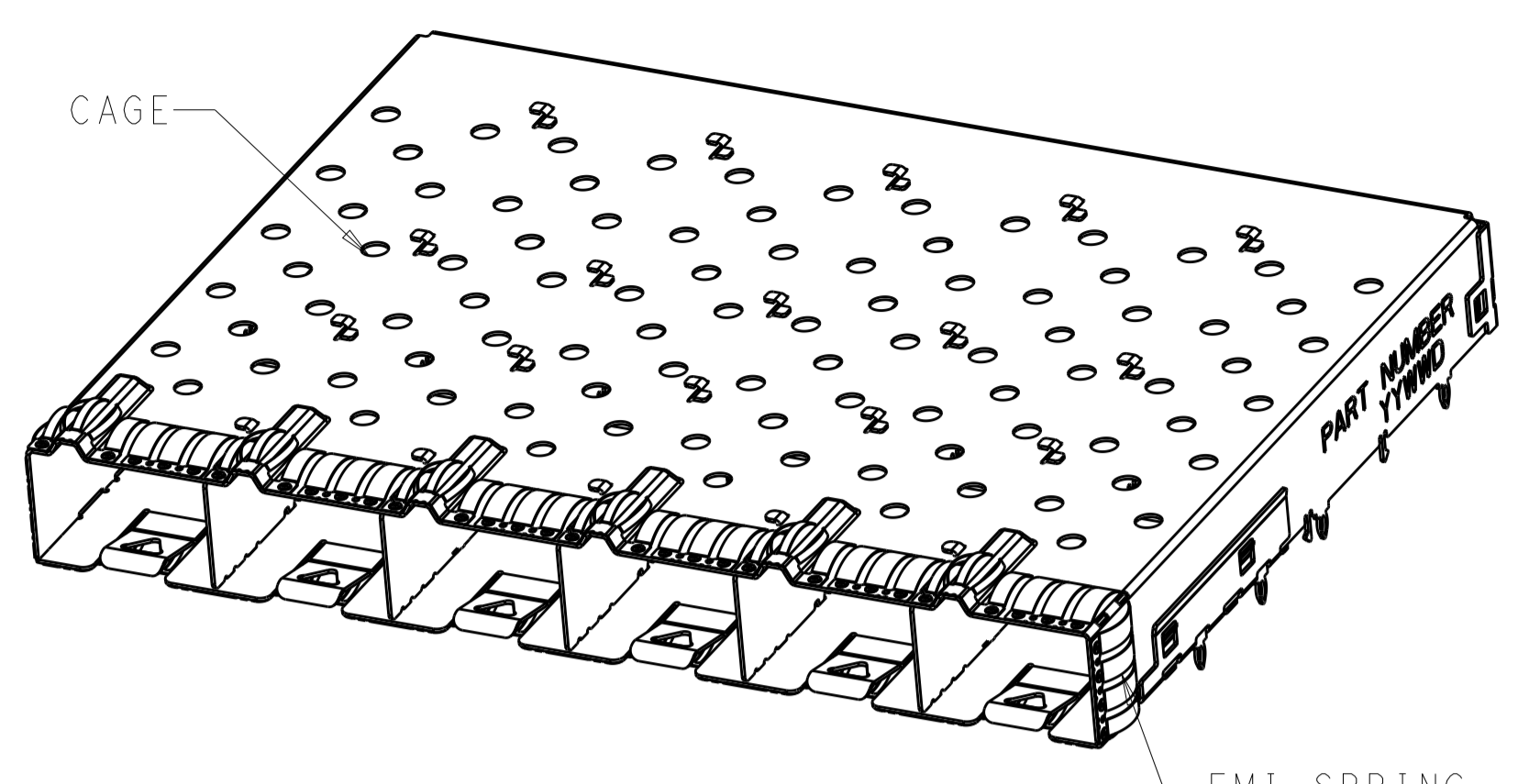
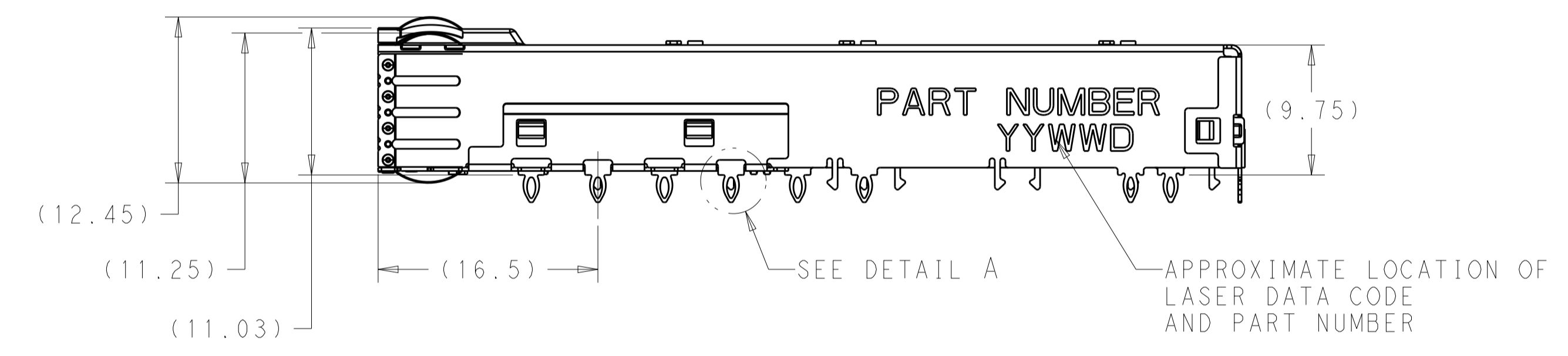
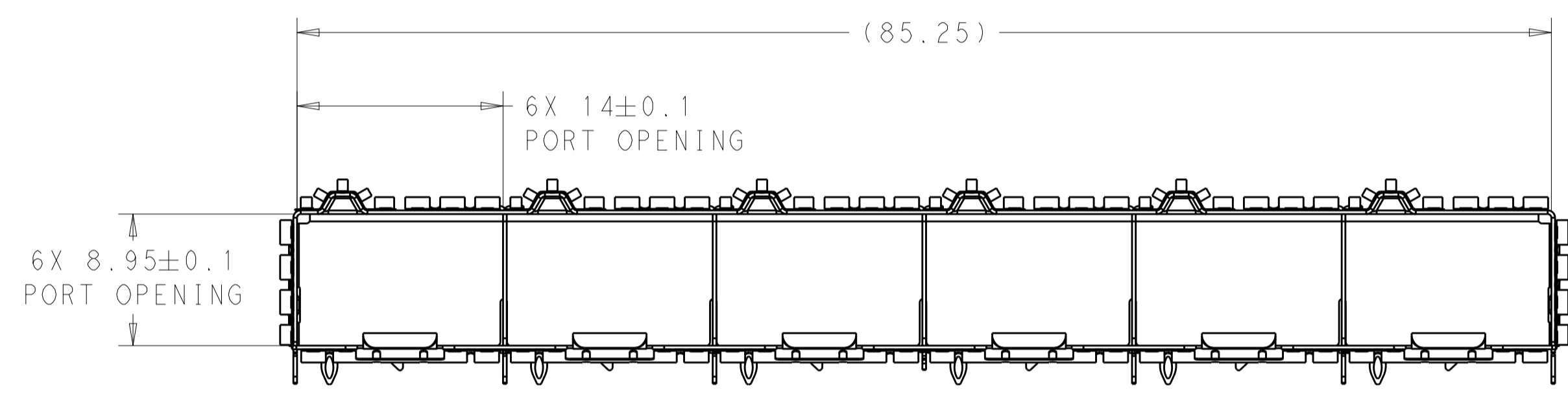


| REVISIONS | | | | |
|-----------|-----|-----------------|-----------|-------|
| P | LTN | DESCRIPTION | DATE | APVD |
| A | | INITIAL RELEASE | 24SEP2020 | AJ SH |
| | | | | |
| | | | | |

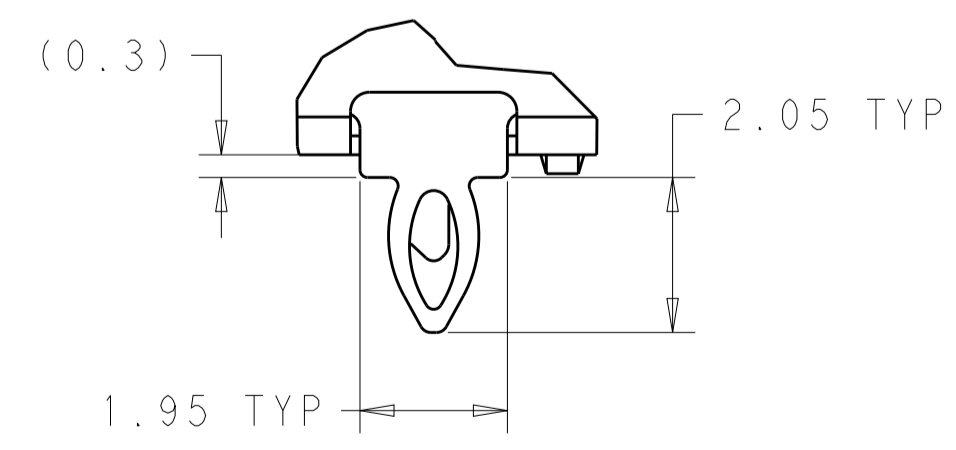
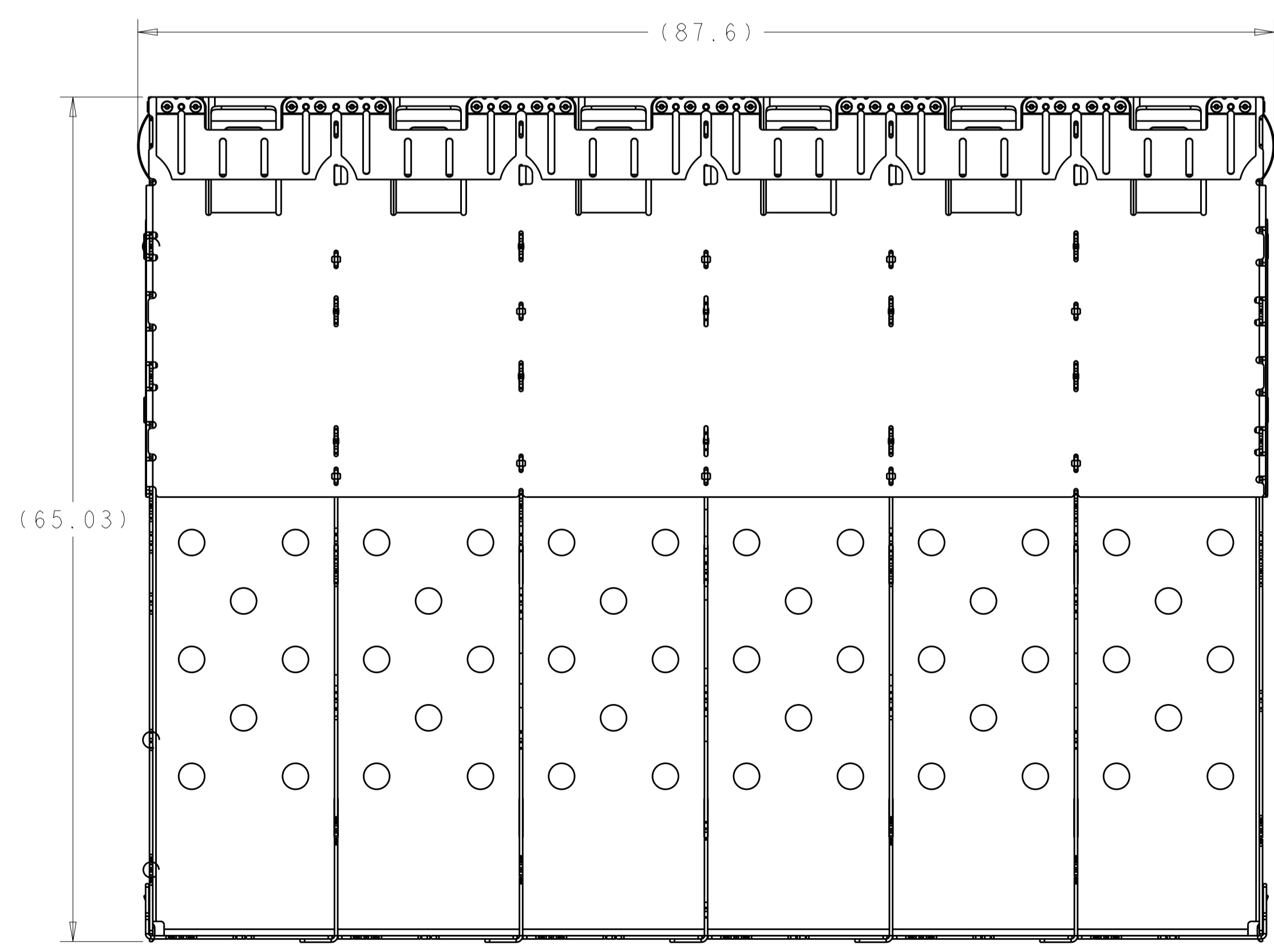


2345214-1
FINISHED ASSEMBLY
SCALE 2:1

- CAGE: 0.25mm THICK STAINLESS STEEL
EMI SPRINGS: COPPER ALLOY
- FINISH:
SPRINGS: 0.8um NICKEL. NON-PLATED EDGES PERMISSIBLE.
- MATES WITH SFP-DD MSA COMPLIANT TRANSCEIVERS.
- INTERPRETATION OF DATUM REFERENCE FRAME IN ACCORDANCE WITH SECT 4.4.1.1 OF ASME Y14.5M-1994.
- MINIMUM PC BOARD THICKNESS:
SINGLE SIDED = 1.57mm
DOUBLE SIDED = 2.20mm
- DATUM AND BASIC DIMENSION ESTABLISHED BY CUSTOMER.
- REFERENCE APPLICATION SPEC. 114-60027, HOLE A, FOR RECOMMENDED DRILL HOLE DIAMETER AND PLATING THICKNESS.
- REFERENCE APPLICATION SPEC. 114-60027, HOLE B, FOR RECOMMENDED DRILL HOLE DIAMETER AND PLATING THICKNESS.
- HOLE PATTERN REPEATS FOR EACH PORT. SPACING BETWEEN PORTS IS 14.25mm.
- DATUM -A- IS TOP SURFACE OF THE HOST BOARD.



SCALE 3:1

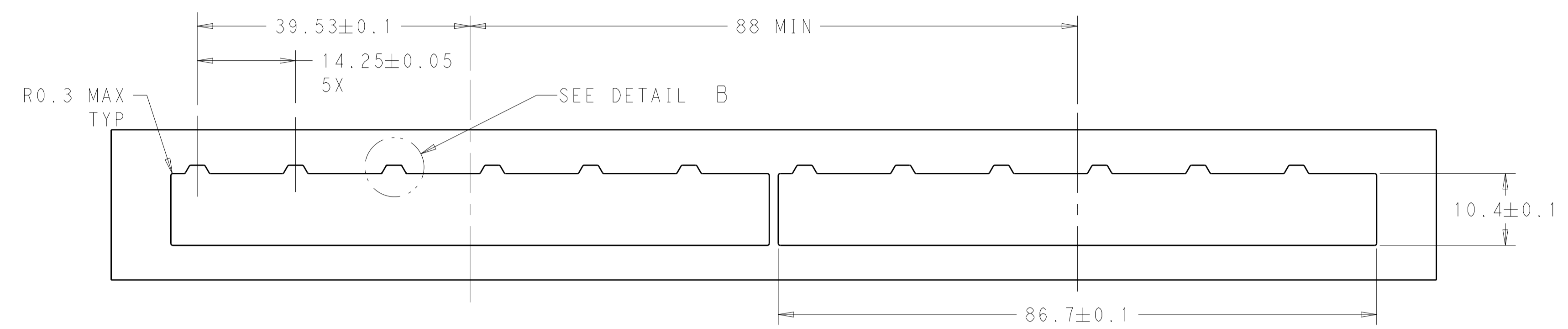


DETAIL A
SCALE 10:1

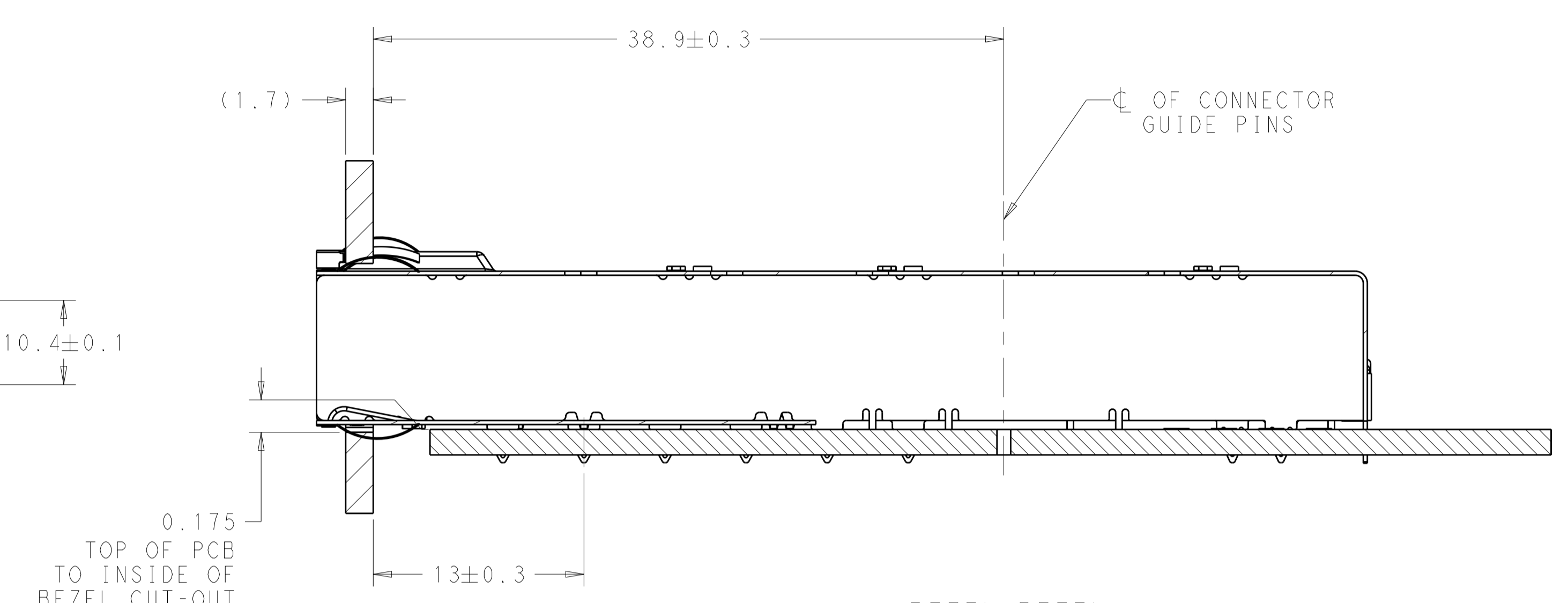
| | | |
|------------------------|-------------|-------------|
| 2 | NO | 2345214-1 |
| REAR PIN # PER PORT | TOP OPENING | PART NUMBER |

| | | | | |
|--|-------|---------------------------|---|--|
| THIS DRAWING IS A CONTROLLED DOCUMENT. | | OWN: ARTHUR JIN 14NOV2019 | TE TE Connectivity | |
| DIMENSIONS: mm | | CHK: SEAN HAN 14NOV2019 | | |
| TOLERANCES UNLESS OTHERWISE SPECIFIED: | | APVD: | NAME: SFPDD 1X6 CAGE ASSEMBLY W/ HS PRESS-FIT, EXTERNAL EMI SPRINGS | |
| 0 PLC | ±0.25 | PRODUCT SPEC: | - | |
| 1 PLC | ±0.25 | 108-60128 | - | |
| 2 PLC | ±0.20 | APPLICATION SPEC: | - | |
| 3 PLC | ±0.20 | 114-60027 | - | |
| 4 PLC | ±0.20 | WEIGHT: | - | |
| ANGLES | ± | RESTRICTED CUSTOMER | - | |
| FINISH | - | SCALE: 1:1 | SHEET 1 OF 5 | |

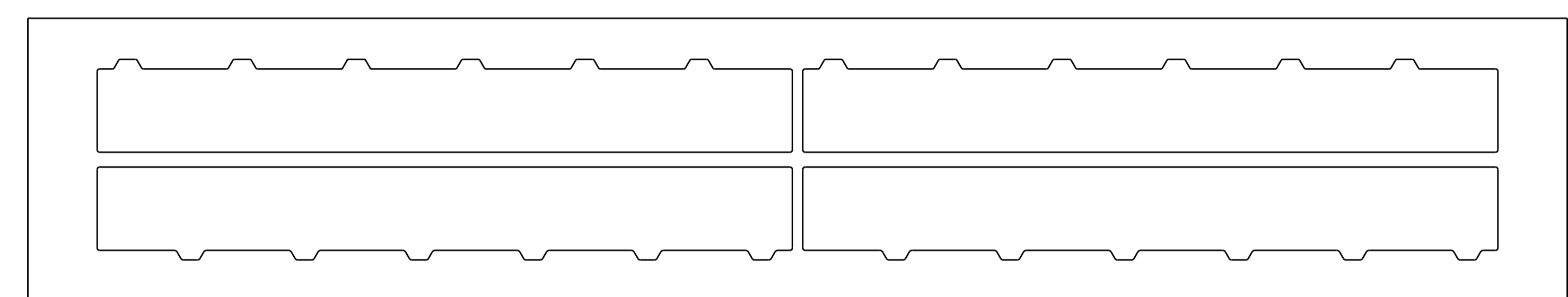
| REVISIONS | | | | |
|-----------|-----|-------------|------|------|
| P. | LTN | DESCRIPTION | DATE | APVD |
| - | - | SEE SHEET 1 | - | - |
| | | | | |
| | | | | |



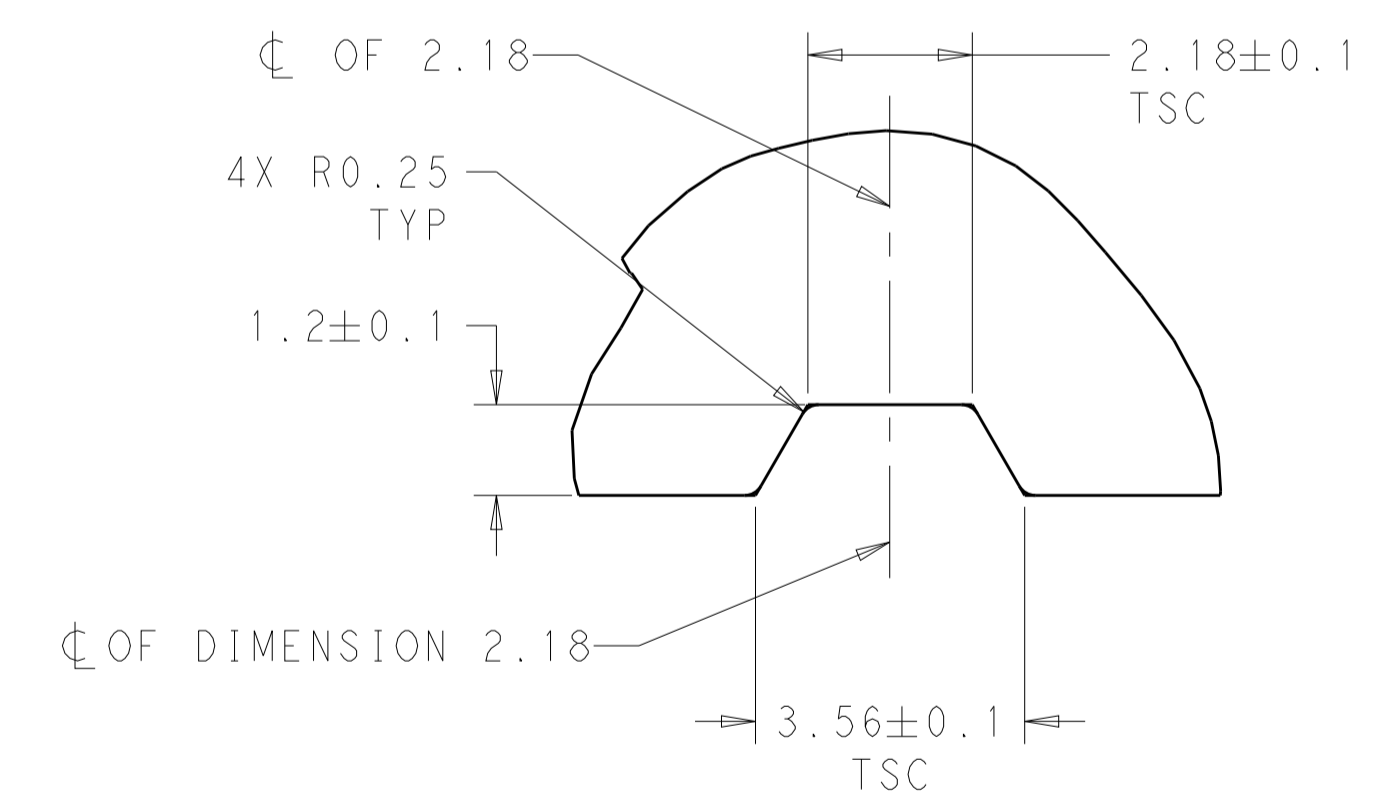
RECOMMENDED BEZEL CUT-OUT
SINGLE SIDED APPLICATIONS
SCALE 2:1



SECTION BEZEL-BEZEL
SCALE 4:1



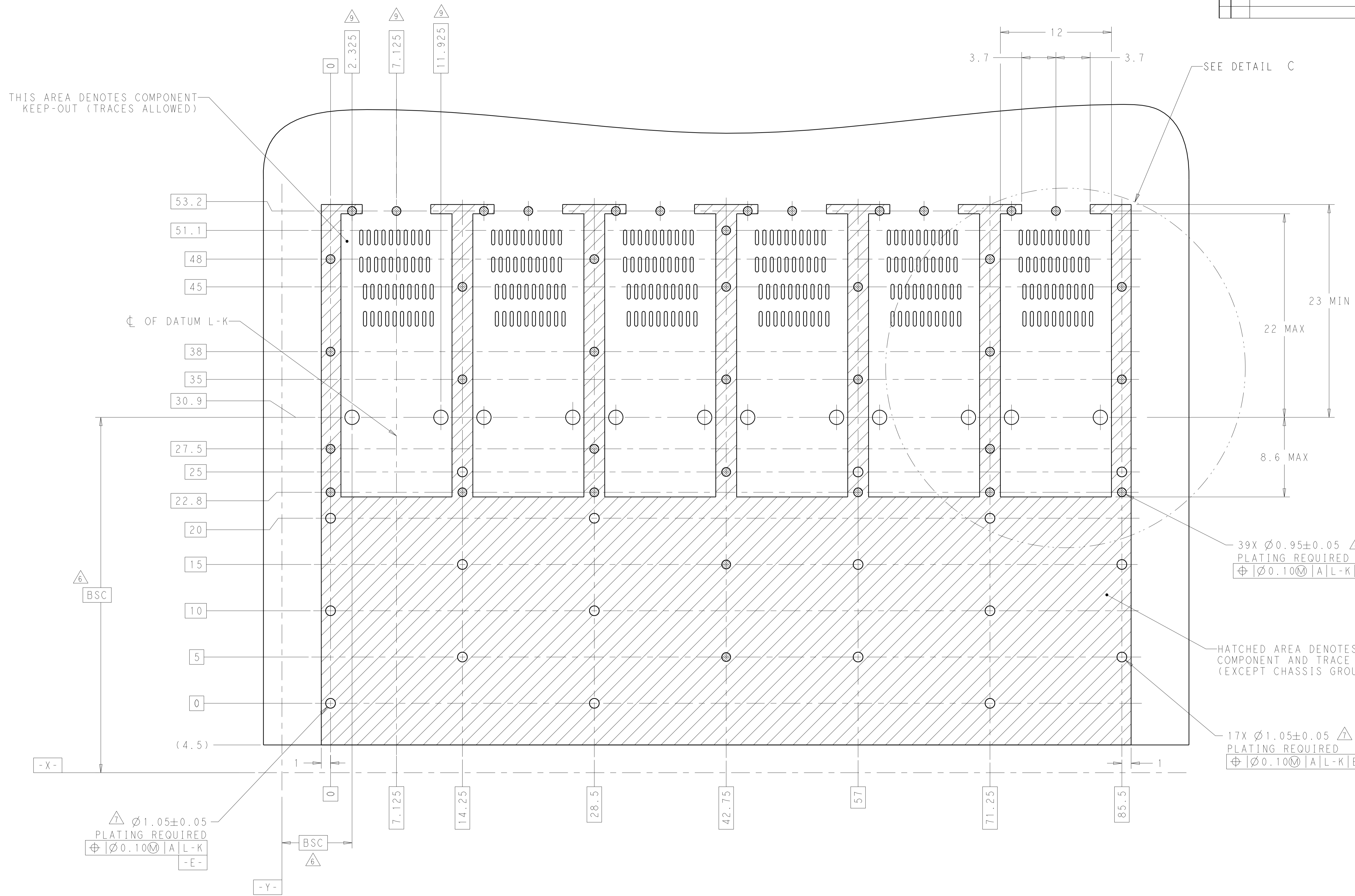
RECOMMENDED BEZEL CUT-OUT
BELLY TO BELLY APPLICATIONS
SCALE 2:1



DETAIL B
SCALE 10:1

| | | | |
|--|---|---------------------------|---|
| THIS DRAWING IS A CONTROLLED DOCUMENT. | | OWN: ARTHUR JLN 14NOV2019 | |
| | | CHK: SEAN HAN 14NOV2019 | |
| DIMENSIONS: | TOLERANCES UNLESS OTHERWISE SPECIFIED: | APVD: | NAME: SFPDD 1X6 CAGE ASSEMBLY W/ HS PRESS-FIT, EXTERNAL EMI SPRINGS |
| mm | 0 PLC ±0.25 1 PLC ±0.25 2 PLC ±0.20 3 PLC ±0.20 4 PLC ± | PRODUCT SPEC: 108-60128 | SIZE: CAGE CODE DRAWING NO: 114-60027 |
| | ANGLES: ± | APPLICATION SPEC: | RESTRICTED TO: A 00779 ©=2345214 |
| MATERIAL: | FINISH: | WEIGHT: | SCALE: 1:1 SHEET 2 OF 5 REV A |
| | | RESTRICTED CUSTOMER | |

| REVISIONS | | | | |
|-----------|------|-------------|------|------|
| P. | LTR. | DESCRIPTION | DATE | APVD |
| - | - | SEE SHEET 1 | - | - |
| | | | | |
| | | | | |

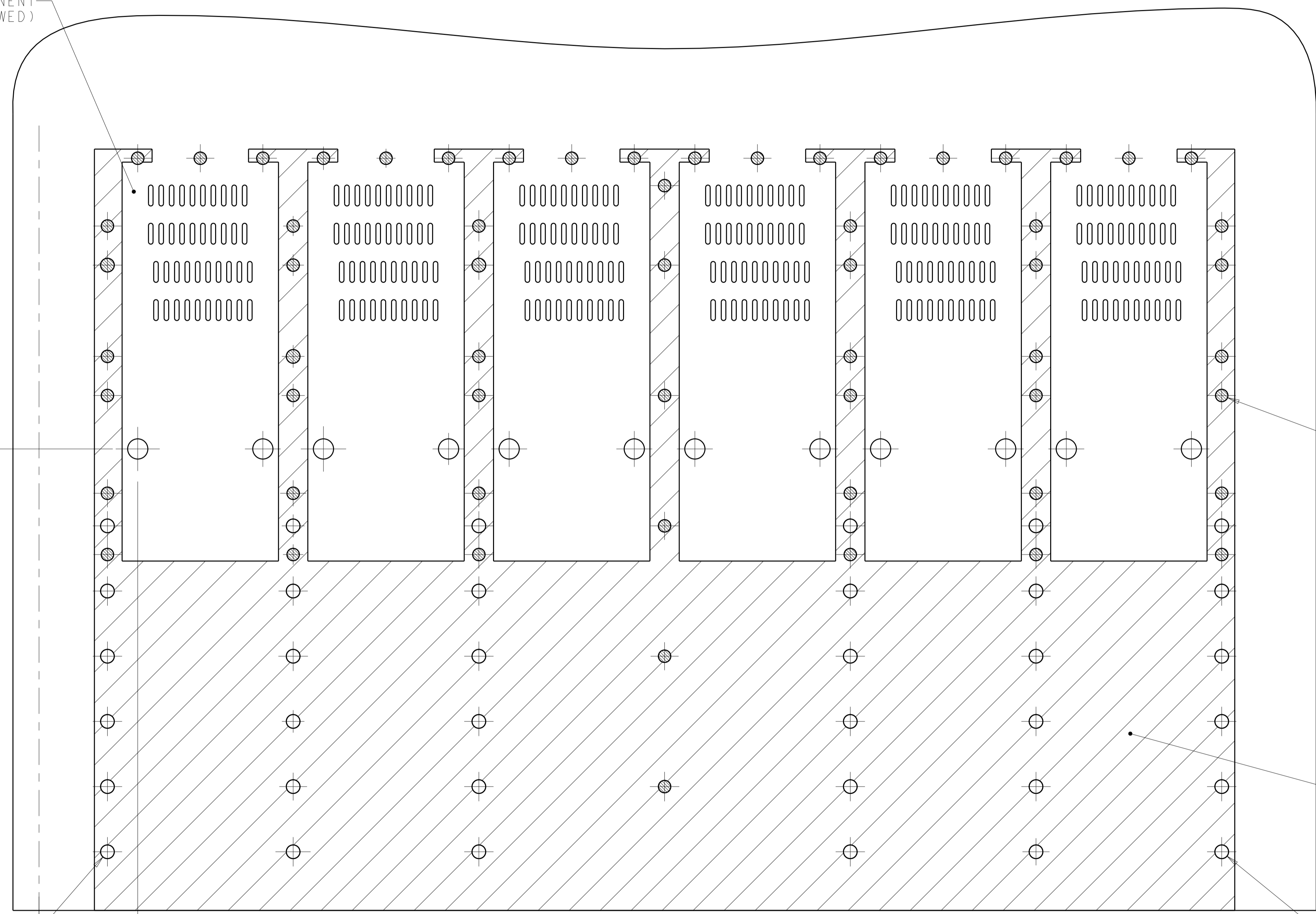


RECOMMENDED PCB CONFIGURATION
WITH KEEP-OUT AREAS
SINGLE SIDED APPLICATIONS
SCALE 5:1

| | | | |
|--|---------|-----------------------------|---|
| THIS DRAWING IS A CONTROLLED DOCUMENT. | | OWN: ARTHUR JIN 14NOV2019 | TE Connectivity |
| DIMENSIONS: mm | | CHK: SEAN HAN 14NOV2019 | |
| TOLERANCES UNLESS OTHERWISE SPECIFIED: | | APVD: | NAME: SFPDD 1X6 CAGE ASSEMBLY W/ HS PRESS-FIT, EXTERNAL EMI SPRINGS |
| 0 PLC | ±0.25 | PRODUCT SPEC: | 108-60128 |
| 1 PLC | ±0.25 | APPLICATION SPEC: | 114-60027 |
| 2 PLC | ±0.20 | SIZE: CAGE CODE DRAWING NO: | A 00779 C=2345214 |
| 3 PLC | ±0.20 | RESTRICTED TO: | RESTRICTED CUSTOMER |
| 4 PLC | ±0.20 | SCALE: 1:1 | SHEET 3 OF 5 |
| ANGLES | # | REV: A | |
| MATERIAL: | FINISH: | | |

| REVISIONS | | | | |
|-----------|-----|-------------|------|------|
| P. | LTN | DESCRIPTION | DATE | APVD |
| - | - | SEE SHEET 1 | - | - |
| | | | | |
| | | | | |

THIS AREA DENOTES COMPONENT
KEEP-OUT (TRACES ALLOWED)



60X Ø0.95±0.05 \triangle
PLATING REQUIRED
Ø0.10 | A | L-K | E

HATCHED AREA DENOTES
COMPONENT AND TRACE KEEP-OUT
(EXCEPT CHASSIS GROUND)

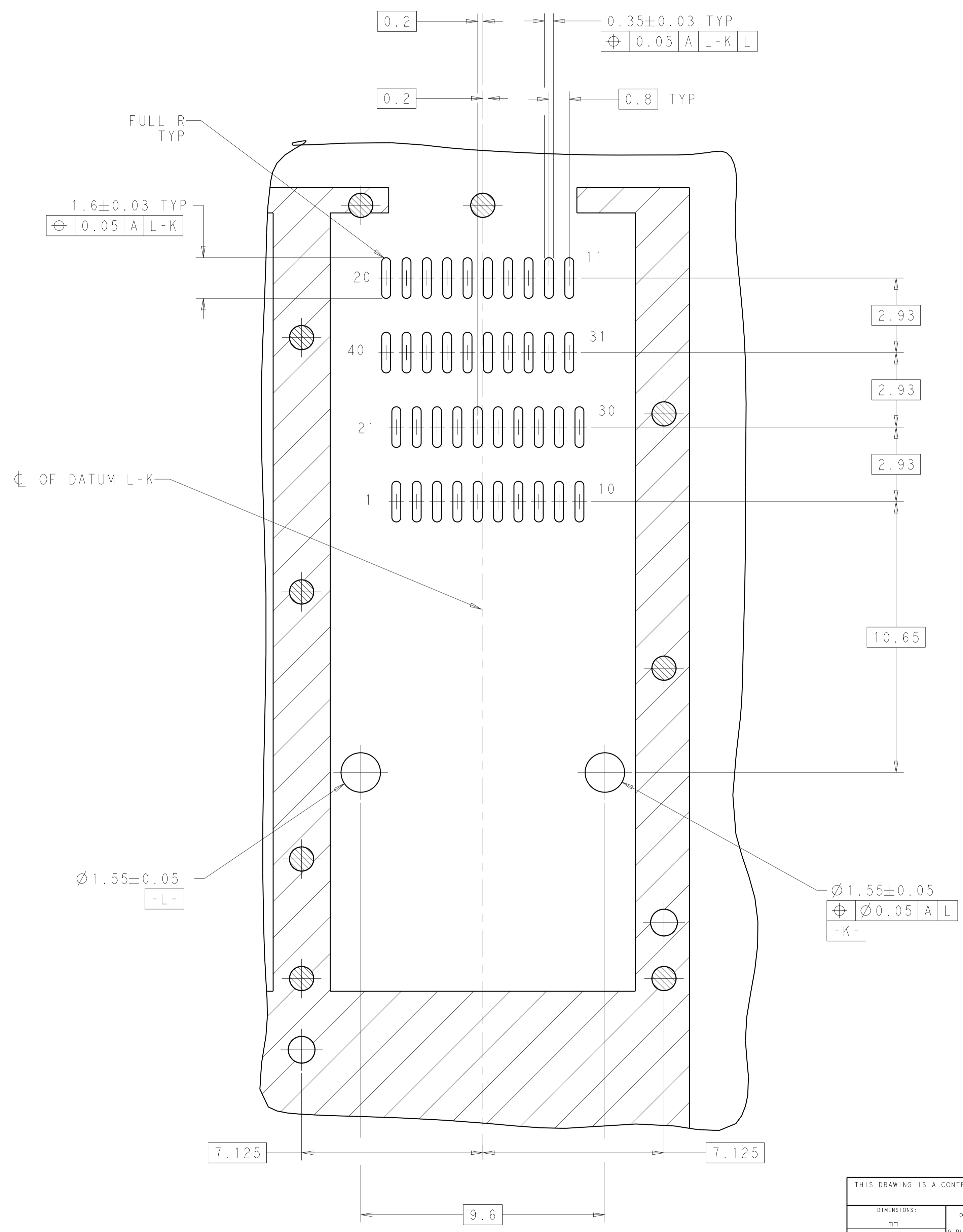
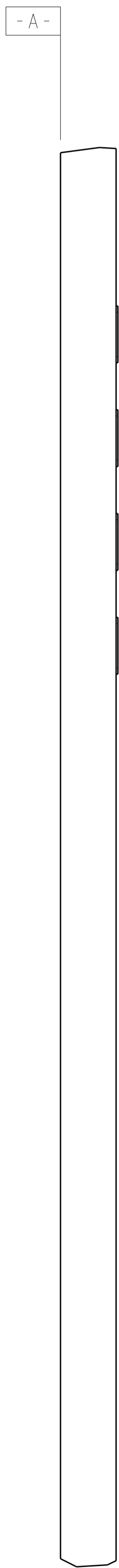
35X Ø1.05±0.05 \triangle
PLATING REQUIRED
Ø0.10 | A | L-K | E

Ø1.05±0.05 \triangle
PLATING REQUIRED
Ø0.10 | A | L-K | E

RECOMMENDED PCB CONFIGURATION WITH KEEP-OUTS FOR BELLY TO BELLY APPLICATIONS
SAME AS SINGLE SIDE APPLICATION, EXCEPT AS SHOWN
SCALE 5:1

| | | | |
|--|--|---------------------------|---------------------------------|
| THIS DRAWING IS A CONTROLLED DOCUMENT. | | DWN: ARTHUR JIN 14NOV2019 | TE Connectivity |
| | | CHK: SEAN HAN 14NOV2019 | |
| DIMENSIONS: | TOLERANCES UNLESS OTHERWISE SPECIFIED: | APVD: | NAME: |
| mm | 0 PLC ±0.25 | PRODUCT SPEC: | SFPDD 1X6 CAGE ASSEMBLY W/ HS |
| | 1 PLC ±0.25 | 108-60128 | PRESS-FIT, EXTERNAL EMI SPRINGS |
| | 2 PLC ±0.20 | APPLICATION SPEC: | |
| | 3 PLC ±0.20 | 114-60027 | SIZE: CAGE CODE: DRAWING NO: |
| | 4 PLC ± | RESTRICTED TO: | A 00779 C=2345214 |
| MATERIAL: | FINISH: | WEIGHT: | RESTRICTED CUSTOMER |
| | | | SCALE: 1:1 SHEET 4 OF 5 REV A |

| REVISIONS | | | | |
|-----------|-------------|-------------|------|------|
| P. | LTN | DESCRIPTION | DATE | APVD |
| - | SEE SHEET 1 | | | |
| | | | | |
| | | | | |



DETAIL C
SCALE 10:1

| | | | |
|--|--|---------------------------|---|
| THIS DRAWING IS A CONTROLLED DOCUMENT. | | DWN: ARTHUR JLN 14NOV2019 | |
| | | CHK: SEAN HAN 14NOV2019 | |
| DIMENSIONS: | TOLERANCES UNLESS OTHERWISE SPECIFIED: | APVD: | NAME: SFPDD 1X6 CAGE ASSEMBLY W/ HS PRESS-FIT, EXTERNAL EMI SPRINGS |
| mm | 0 PLC ±0.25 | PRODUCT SPEC: 108-60128 | SIZE: A |
| | 1 PLC ±0.25 | APPLICATION SPEC: | CAGE CODE: 00779 |
| | 2 PLC ±0.20 | 114-60027 | DRAWING NO: 2345214 |
| | 3 PLC ±0.20 | WEIGHT: | RESTRICTED TO: RESTRICTED CUSTOMER |
| | 4 PLC ±0.20 | FINISH: | SCALE: 1:1 |
| | ANGLES: # | | SHEET: 5 OF 5 |
| MATERIAL: | | | REV: A |