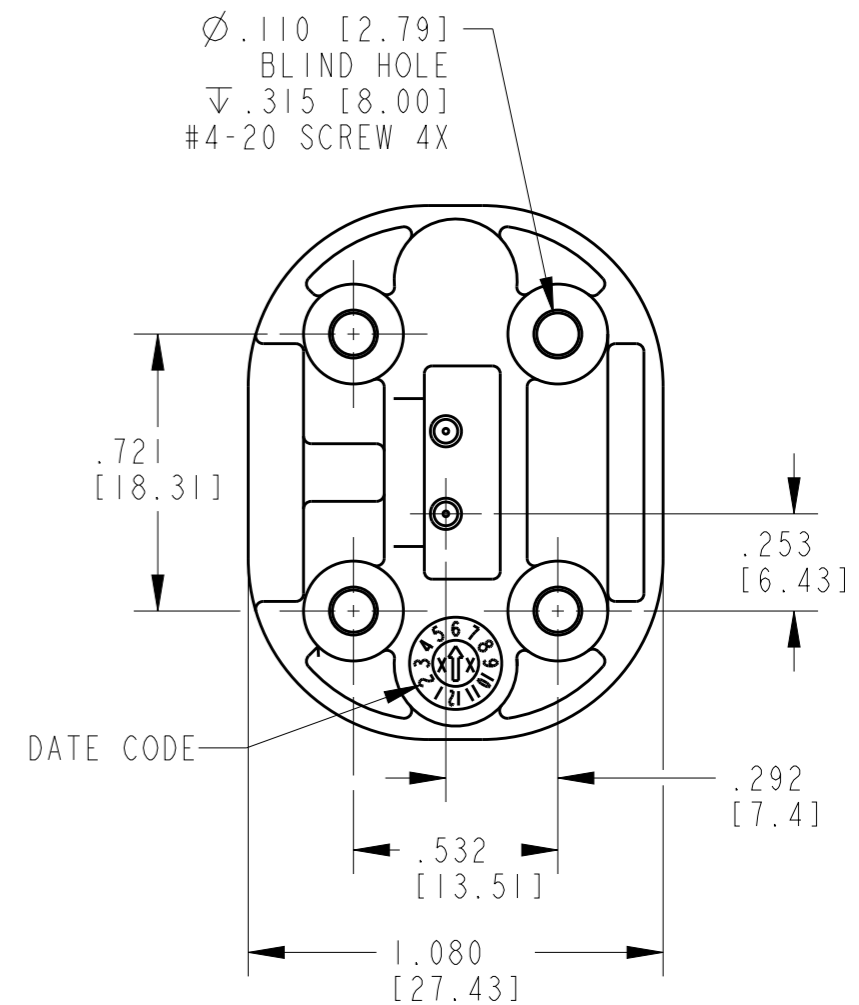
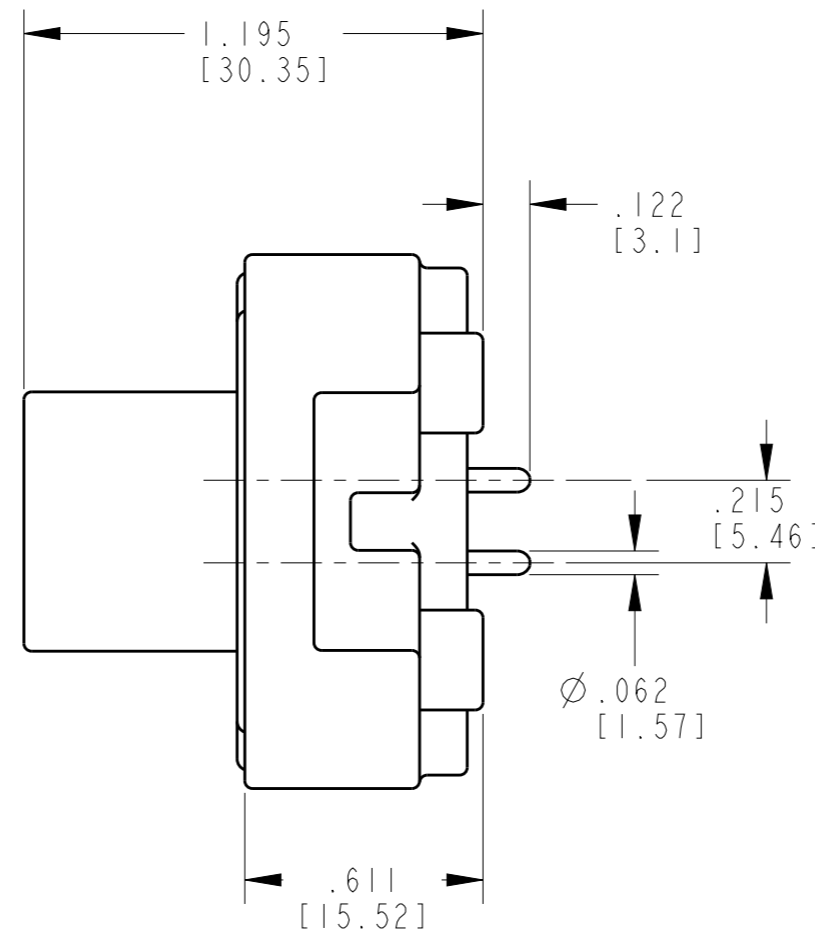
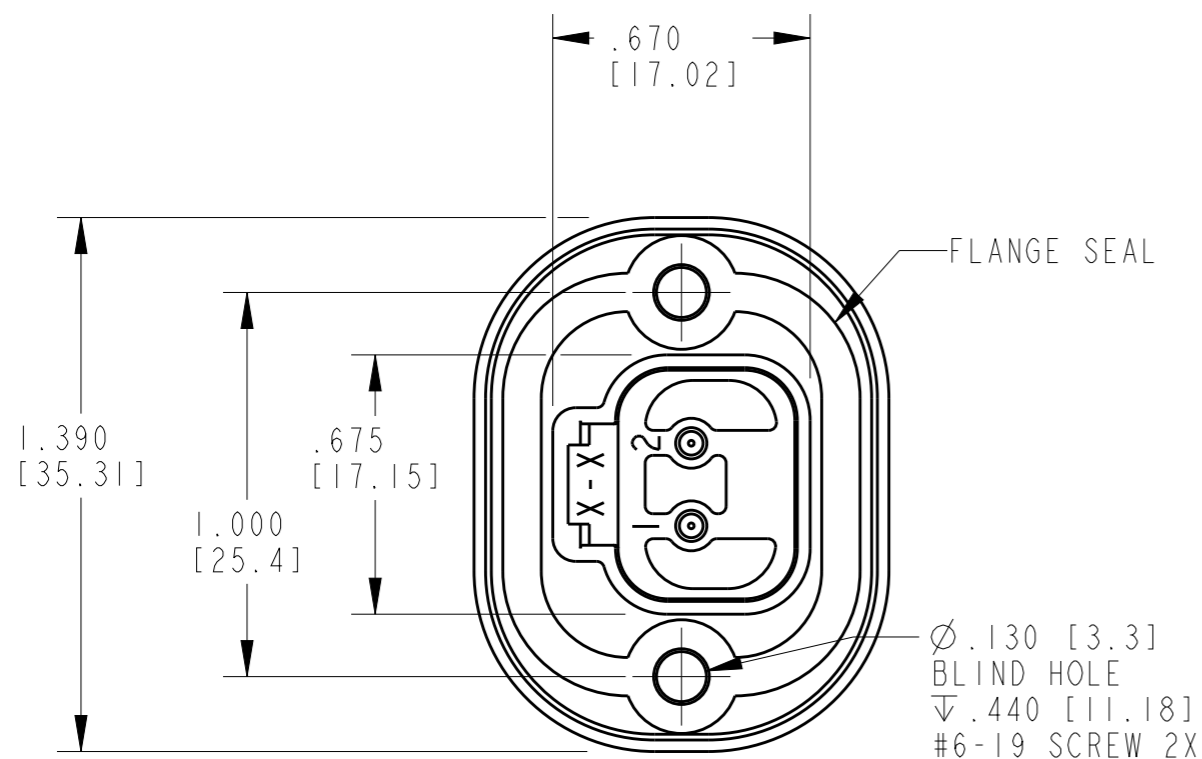


| P | LTR | DESCRIPTION                 | DATE      | DWN | APVD |
|---|-----|-----------------------------|-----------|-----|------|
|   | C1  | REVISED PER PCN-E-19-016091 | 07MAY2019 | MK  | DM   |
|   |     |                             |           |     |      |
|   |     |                             |           |     |      |



7. MINIMUM RECOMMENDED HOLE SIZE. CUSTOMER TO DETERMINE FINISHED HOLE SIZE BASED ON SOLDER PROCESS.

6. CONTACT PLATING - MATING SIDE: NICKEL; PCB SIDE: TIN.

5. MOUNTING SCREW TORQUE VALUES ARE AS FOLLOWS:  
 #6-19 SCREWS:  $13 \pm 2.0$  IN-LB [ $1.47 \pm .23$  N-M].  
 #4-20 SCREWS:  $8 \pm 2.0$  IN-LB [ $.90 \pm .23$  N-M].  
 VALUES VALID FOR PLASTITE 48 SCREWS ONLY.

4. RECOMMENDED MOUNTING SCREWS (NOT INCLUDED):  
 CAMCAR PLASTITE 48.

3. THIS RECEPTACLE MATES WITH DT06-2S-XXXX PLUG  
 (XXXX = ALL MODIFICATIONS.)

2. SHELL MATERIAL: PA GF30 (GRAY);  
 FLANGE SEAL MATERIAL: SILICONE (ORANGE-RED).

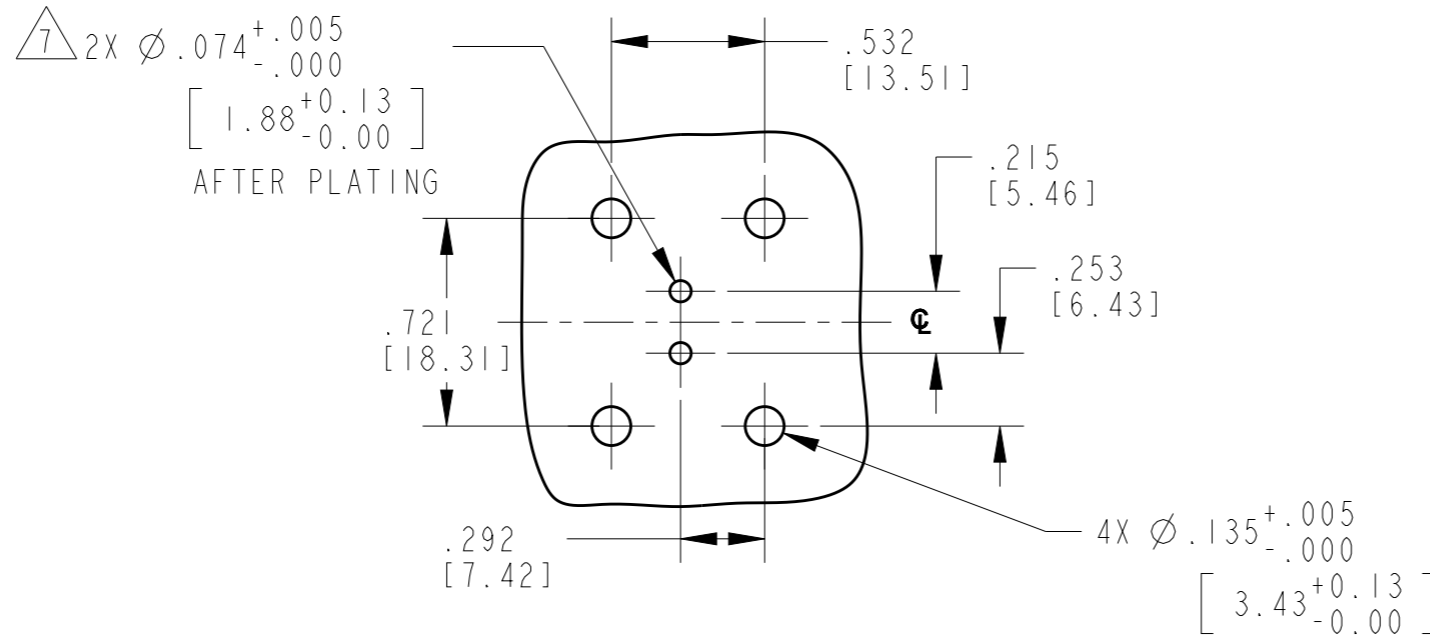
1. DIMENSION TOLERANCE:  $\pm .025$  [0.64]  
 PANEL CUTOUT:  $\pm .010$  [0.25]  
 PIN LOCATION:  $\pm .005$  [0.13]  
 MOUNTING HOLE LOCATION:  $\pm .005$  [0.13]  
 PCB LAYOUT  $\pm .005$  [0.13]

NOTES:

|         |                   |
|---------|-------------------|
| TCPN    | ALIAS PART NUMBER |
| DT15-2P | DT15-2P           |

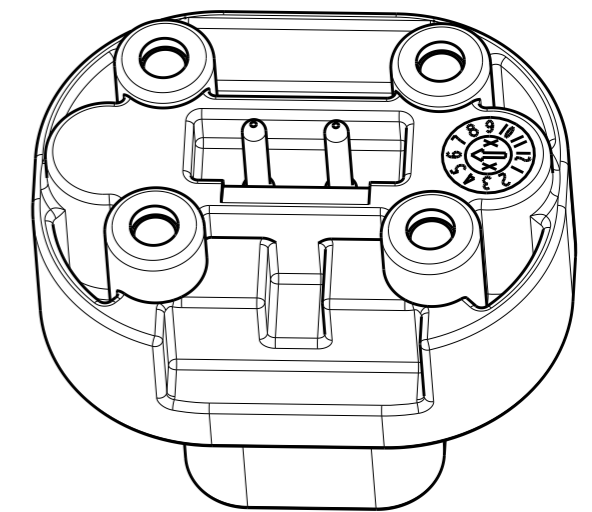
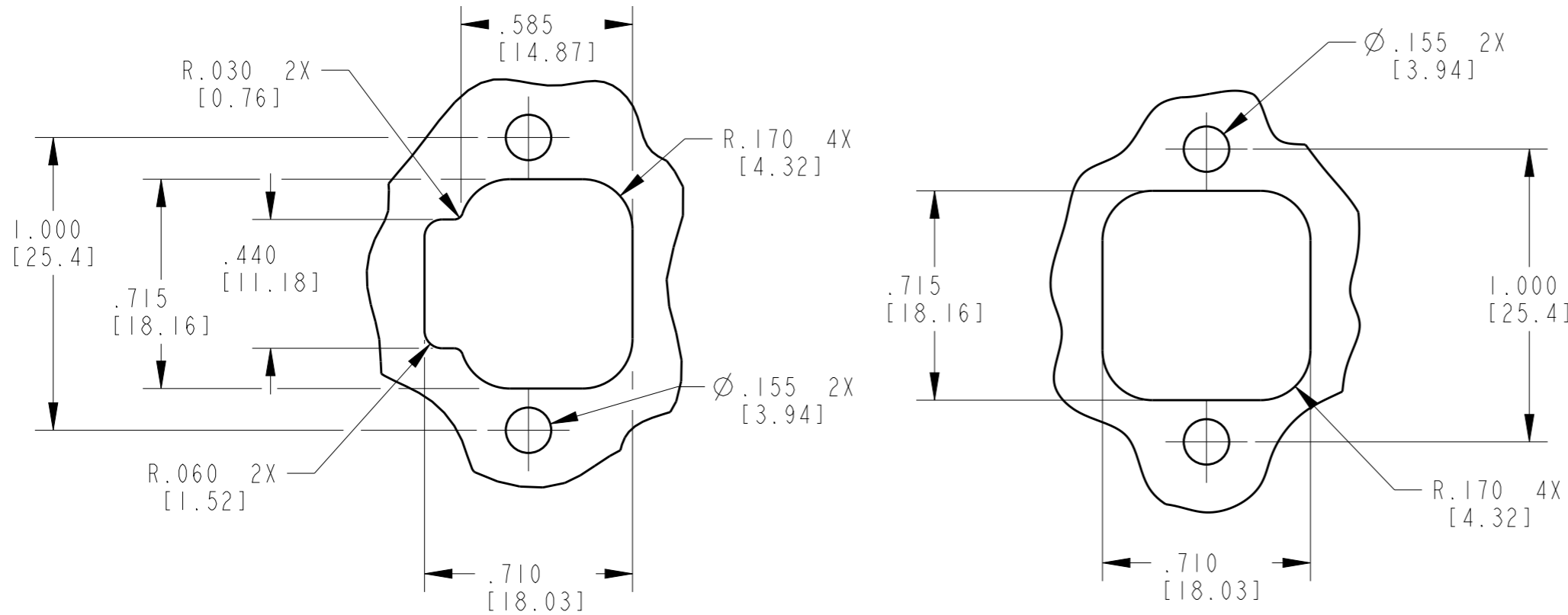
|   |    |                                |  |                    |                       |    |       |    |       |    |       |    |     |                            |               |  |
|---|----|--------------------------------|--|--------------------|-----------------------|----|-------|----|-------|----|-------|----|-----|----------------------------|---------------|--|
| THIS DRAWING IS A CONTROLLED DOCUMENT.  |    | DWN<br>P. BURKE<br>04JAN2002   |  |                    |                       |    |       |    |       |    |       |    |     |                            |               |  |
| DIMENSIONS:<br>INCHES[MM]   |    | CHK<br>J. APOSTOL<br>16NOV2006 |  |                    |                       |    |       |    |       |    |       |    |     |                            |               |  |
| TOLERANCES UNLESS OTHERWISE SPECIFIED:  |    | APVD<br>S. BEARD<br>16NOV2006  | NAME<br>PCB MOUNT RECEPTACLE<br>2 PIN-STRAIGHT DT SERIES<br>COLOUR: GRAY |                    |                       |    |       |    |       |    |       |    |     |                            |               |  |
| <table border="1"> <tr> <td>0 PLC</td> <td>±-</td> <td rowspan="4"> </td> </tr> <tr> <td>1 PLC</td> <td>±-</td> </tr> <tr> <td>2 PLC</td> <td>±-</td> </tr> <tr> <td>3 PLC</td> <td>±-</td> </tr> <tr> <td>4 PLC</td> <td>±-</td> <td>±1°</td> </tr> </table> |    | 0 PLC                          | ±-   |                    | 1 PLC                 | ±- | 2 PLC | ±- | 3 PLC | ±- | 4 PLC | ±- | ±1° | PRODUCT SPEC<br>108-151009 | RESTRICTED TO |  |
| 0 PLC   | ±- |                                |  |                    |                       |    |       |    |       |    |       |    |     |                            |               |  |
| 1 PLC   | ±- |                                |  |                    |                       |    |       |    |       |    |       |    |     |                            |               |  |
| 2 PLC   | ±- |                                |  |                    |                       |    |       |    |       |    |       |    |     |                            |               |  |
| 3 PLC   | ±- |                                |  |                    |                       |    |       |    |       |    |       |    |     |                            |               |  |
| 4 PLC   | ±- | ±1°                            |  |                    |                       |    |       |    |       |    |       |    |     |                            |               |  |
| MATERIAL  |    | APPLICATION SPEC               | SIZE<br>A3   | CAGE CODE<br>4AFU8 | DRAWING NO<br>DT15-2P |    |       |    |       |    |       |    |     |                            |               |  |
| FINISH  |    | WEIGHT<br>14 g                 | SCALE<br>2:1   |                    |                       |    |       |    |       |    |       |    |     |                            |               |  |
|   |    | CUSTOMER DRAWING               |  | SHEET<br>1 OF 2    | REV<br>C1             |    |       |    |       |    |       |    |     |                            |               |  |

| P | LTR | DESCRIPTION | DATE | DWN | APVD |
|---|-----|-------------|------|-----|------|
| - | -   | SEE SHEET 1 | -    | -   | -    |



SEE SHEET ONE

### RECOMMENDED PCB LAYOUT



### 3D VIEW

### RECOMMENDED PANEL CUTOUTS

|  |  |                                |  |                    |                         |
|--|--|--------------------------------|--|--------------------|-------------------------|
| THIS DRAWING IS A CONTROLLED DOCUMENT. |  | DWN<br>P. BURKE<br>04JAN2002   |  |                    |                         |
| DIMENSIONS:<br>INCHES [MM]             |  | CHK<br>J. APOSTOL<br>16NOV2006 |  |                    |                         |
| TOLERANCES UNLESS OTHERWISE SPECIFIED: |  | APVD<br>S. BEARD<br>16NOV2006  | NAME<br>PCB MOUNT RECEPTACLE<br>2 PIN-STRAIGHT DT SERIES<br>COLOUR: GRAY |                    |                         |
|  |  | PRODUCT SPEC<br>108-151009     | RESTRICTED TO  |                    |                         |
| MATERIAL                               |  | APPLICATION SPEC               | SIZE<br>A3   | CAGE CODE<br>4AFU8 | DRAWING NO<br>G-DT15-2P |
| FINISH                                 |  | WEIGHT<br>14 g                 | SCALE<br>2:1   |                    |                         |
|  |  | CUSTOMER DRAWING               | SHEET 2 OF 2   |                    |                         |
|  |  |                                | REV C1   |                    |                         |