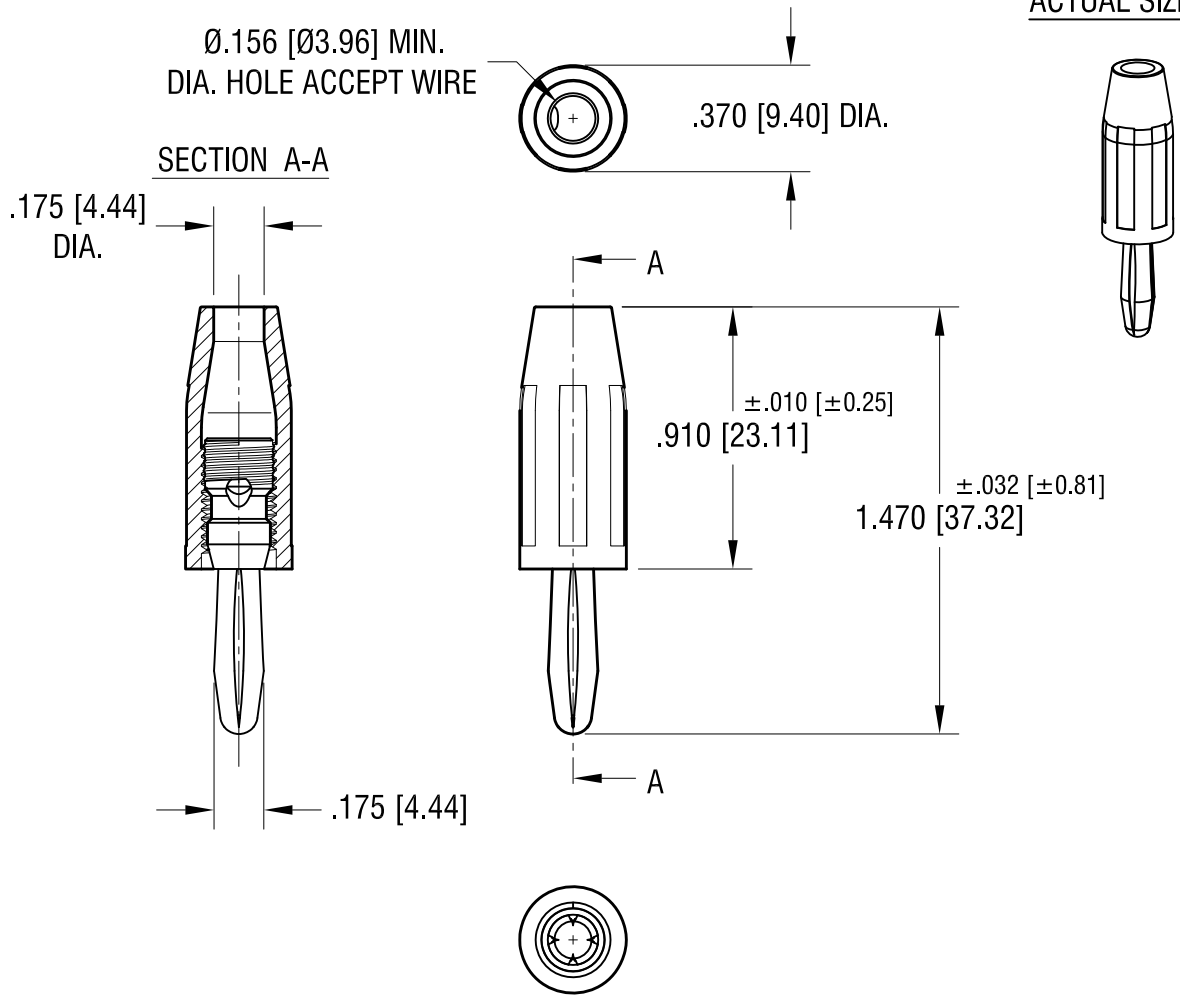


THIS DOCUMENT IS THE PROPERTY OF KEYSTONE ELECTRONICS CORP. AND SHALL NOT BE REPRODUCED, DISTRIBUTED OR USED AS A BASIS FOR MANUFACTURE WITHOUT PRIOR WRITTEN PERMISSION FROM KEYSTONE ELECTRONICS CORP.

ACTUAL SIZE



NOTES:

1. SPRING: MAT'L - PHOSPHOR BRONZE
2. BODY: MAT'L - BRASS
FINISH - NICKEL PLATE
3. HANDLE: MAT'L - NYLON

PART NO.	COLOR
6078	RED
6079	BLACK

DATE	DESCRIPTION	REV.
2.18.21	SPRING MAT'L WAS NICKEL SILVER CHANGE AS PER ECN 21-023	B
5.11.12	CHANGE AS PER ECN 12-059	A

KEYSTONE ELECTRONICS CORP.			
www.keyelco.com • NEW HYDE PARK, NY 11040 • Tel (516) 328-7500			
PART NAME BANANA PLUG, SOLDERLESS CONNECTION			
MATERIAL AS NOTED			
FINISH AS NOTED		DRN BY BOONE	DATE 1.16.06
		APP'D RH	SCALE 1.5X
TOLERANCES DECIMAL ANGULAR $\pm 1^\circ$ UNLESS OTHERWISE SPECIFIED	INCH [MM] $\pm .005$ [± 0.13]	CODE C	DWG NO. 6078 - 6079