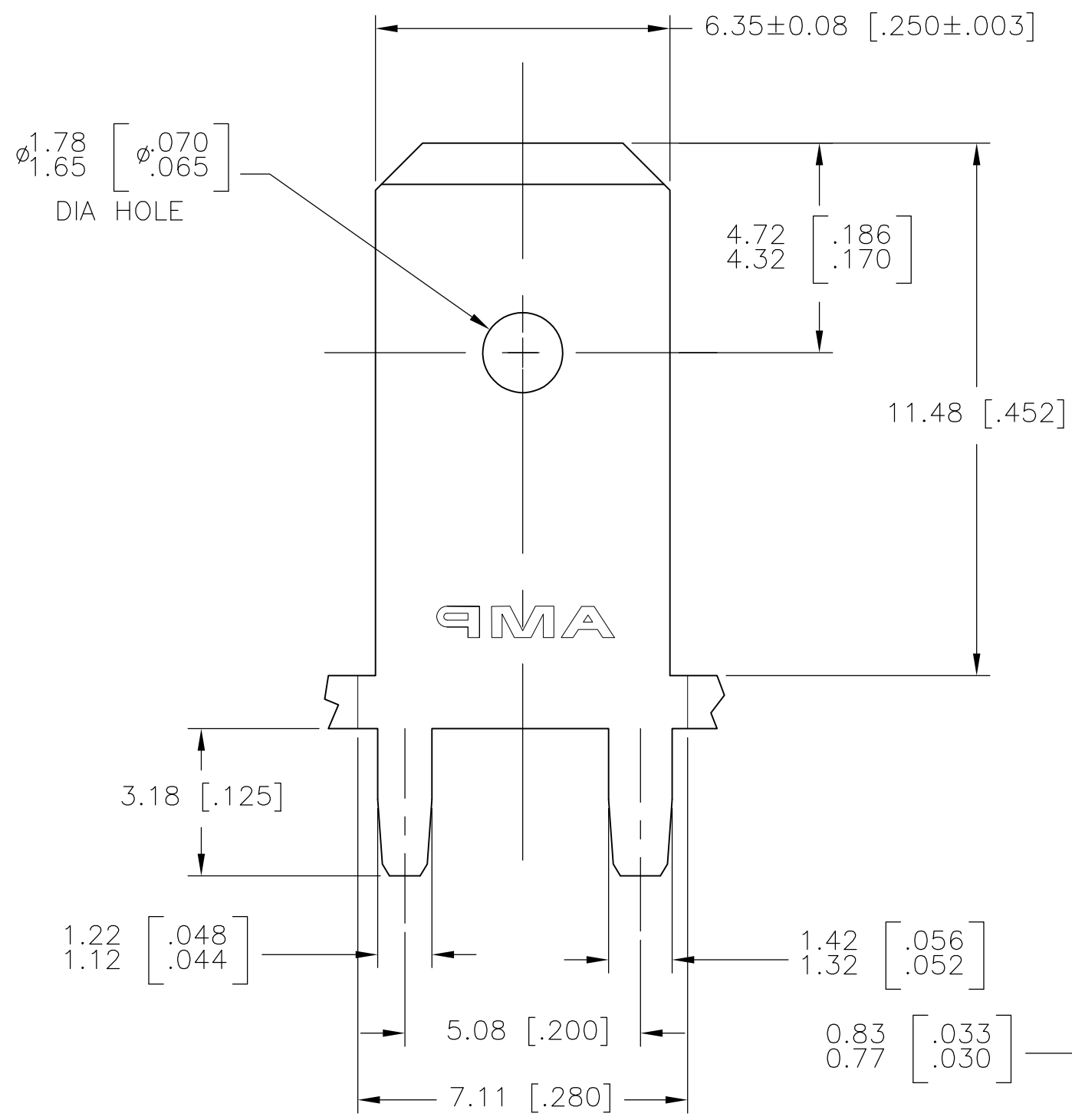
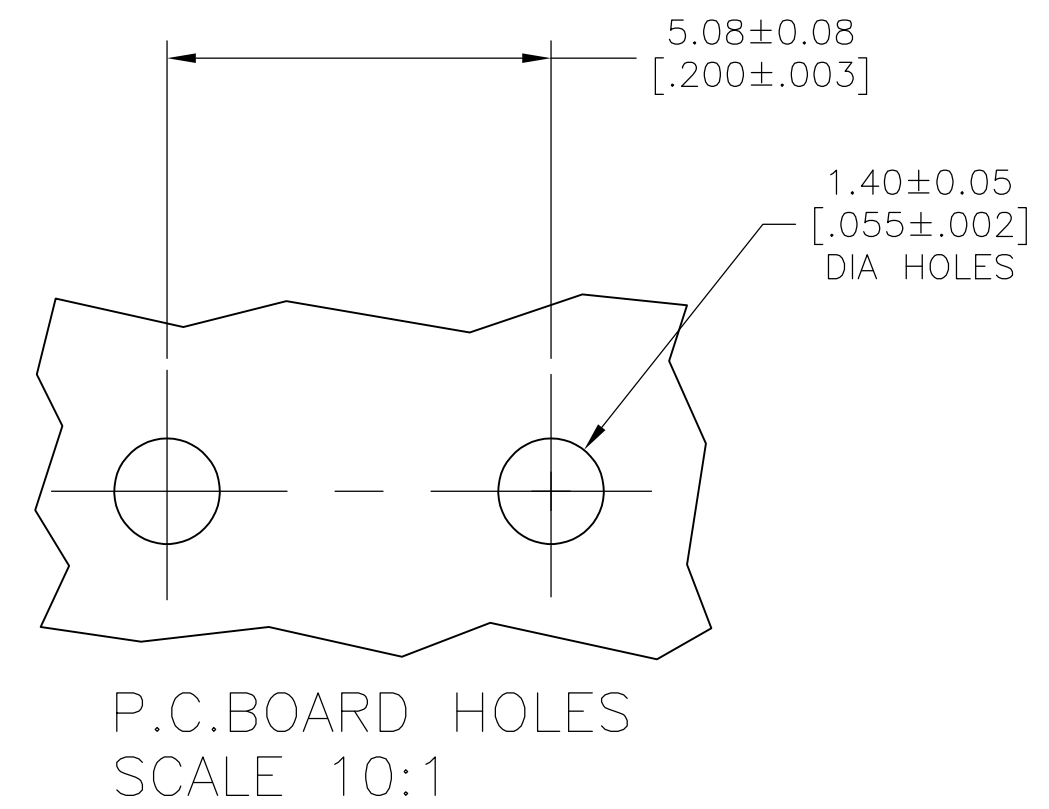


THIS DRAWING IS UNPUBLISHED. RELEASED FOR PUBLICATION  
 © COPYRIGHT - By - ALL RIGHTS RESERVED.

LOC	DIST	REVISIONS			
P	LTR	DESCRIPTION	DATE	DWN	APVD
AF	50				
	D	REVISED PER ECR-13-001204	24JUN13	KH	PD



1 SUPPLIED IN LOOSE PIECE  
 2 0.00381 [.000150] MIN TIN OVER  
 0.00254 [.000100] MIN THK COPPER.



63900-1  
 PART NUMBER

THIS DRAWING IS A CONTROLLED DOCUMENT.		DWN	JR RUTH	30NOV00	 TE Connectivity	NAME		TAB, FASTON, PC BOARD, 6.35 [.250] SERIES		
DIMENSIONS: mm [INCHES]		CHK	MS FEHER	30NOV00		APPLICATION SPEC		SIZE	CAGE CODE	DRAWING NO
TOLERANCES UNLESS OTHERWISE SPECIFIED:		APVD	G PORTA	30NOV00		PRODUCT SPEC		—	—	—
0 PLC ± - 1 PLC ± - 2 PLC ± 0.25 [.010] 3 PLC ± - 4 PLC ± - ANGLES ± -		MATERIAL		FINISH		RESTRICTED TO		—	—	—
		BRASS		TIN OVER COPPER	WEIGHT		A3 00779 C-63900		SCALE	
				CUSTOMER DRAWING		8:1		SHEET 1 OF 1		
								REV D		