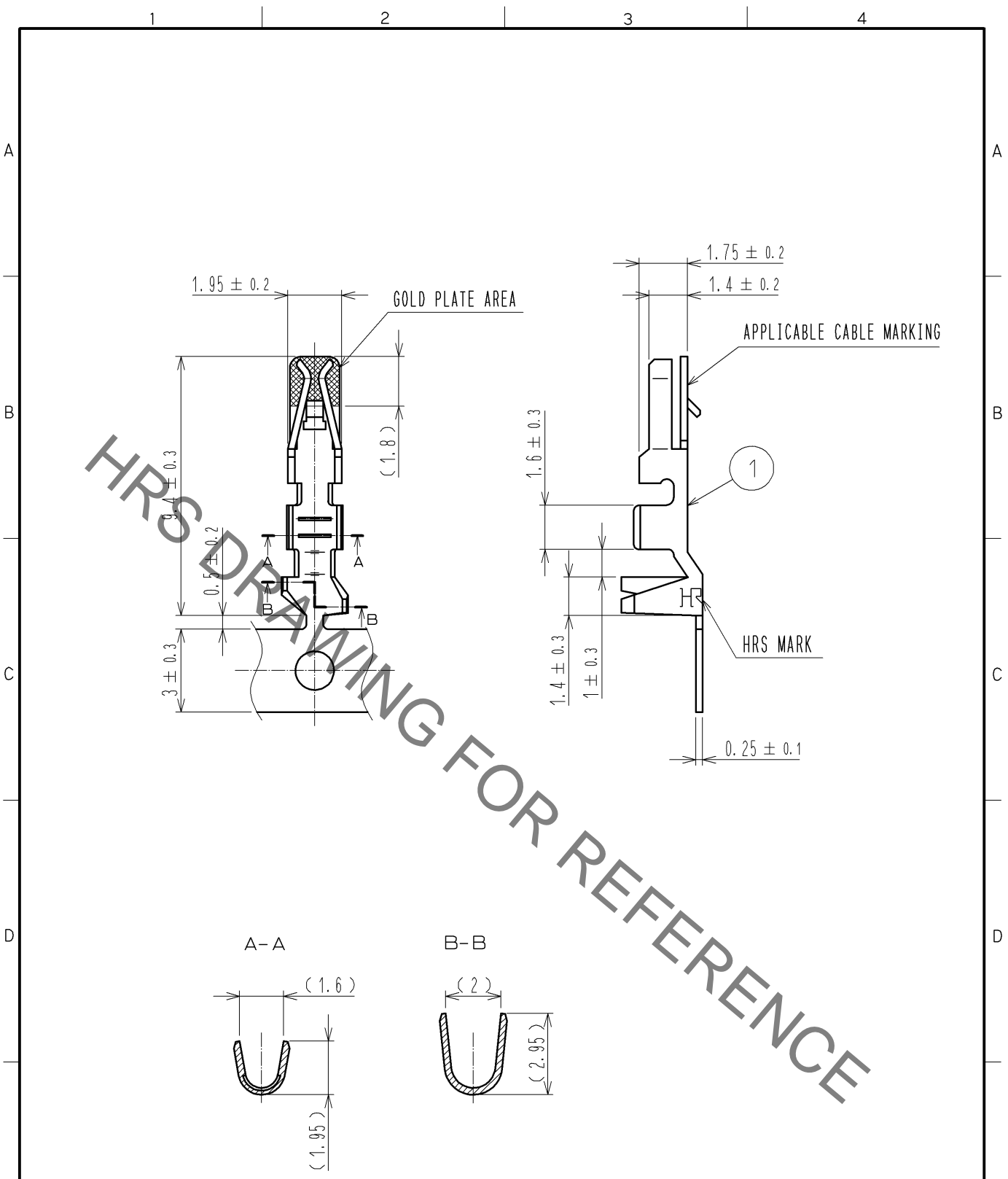


Apr.1.2023 Copyright 2023 HIROSE ELECTRIC CO., LTD. All Rights Reserved.
 In case of consideration for using Automotive equipment / device which demand high reliability, kindly contact our sales window correspondents.



NOTE 1 : 1 REEL 10000 CONTACTS
 2 : APPLICABLE CABLE : AWG20-22

NO.		MATERIAL		FINISH . REMARKS		NO.		MATERIAL		FINISH . REMARKS	
		1		PHOSPHOR BRONZE				CONTACT AREA: GOLD PLATING 0.2 μ m		OTHER AREA : NICKEL PLATING 0.5 μ m	
UNITS mm		SCALE 5 : 1	COUNT 	DESCRIPTION OF REVISIONS			DESIGNED	CHECKED	DATE		
HIROSE ELECTRIC CO., LTD.		APPROVED : KI. AKIYAMA	12.10.11	DRAWING NO.			EDC4-162826-01				
		CHECKED : HK. UMEHARA	12.10.11	PART NO.			DF1E-2022SCFA				
		DESIGNED : HT. SATO	12.10.11	CODE NO.			CL541-1001-5-00				
		DRAWN : MI. SAKIMURA	12.10.10				1/1				