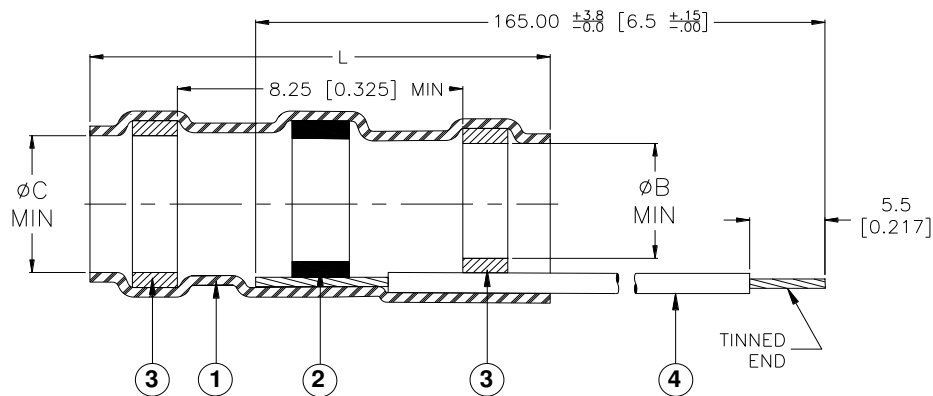


CUSTOMER DRAWING



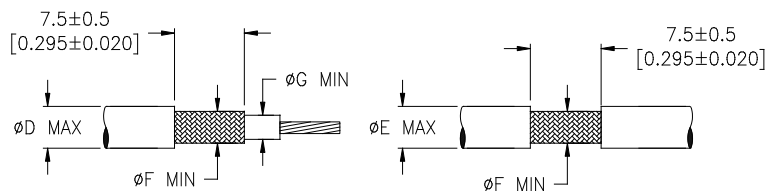
Product Name	Product Dimensions			Cable Dimensions			
AWG 22*	L±1.75 [L±0.07]	Ø B min	Ø C min	Ø D max	Ø E max	Ø F min	Ø G min
S02-07-R-90-65-T	16.5 [0.650]	2.65 [0.105]	3.68 [0.145]	3.68 [0.145]	2.65 [0.105]	1.40 [0.055]	0.75 [0.030]
S02-08-R-90-65-T	16.5 [0.650]	4.30 [0.170]	5.08 [0.200]	5.08 [0.200]	4.30 [0.170]	2.15 [0.085]	1.25 [0.050]
S02-10-R-90-65-T	19.1 [0.750]	7.00 [0.275]	7.60 [0.300]	7.60 [0.300]	7.00 [0.275]	4.30 [0.170]	2.50 [0.100]

MATERIALS

- INSULATION SLEEVE: Heat-shrinkable, transparent blue, radiation cross-linked polyvinylidene fluoride.
- SOLDER PREFORM WITH FLUX AND THERMAL INDICATOR:
 SOLDER: TYPE Sn63 per ANSI/J-STD-006.
 FLUX: TYPE ROL1 per ANSI/J-STD-004.
 THERMAL INDICATOR: Color change violet to colorless.
- MELTABLE SEALING RINGS: Environment resistant thermoplastic. Color: blue.
- PRE-INSTALLED LEAD: RAYCHEM 55A0111-22-90 IN ACCORDANCE WITH MIL-W-22759/32-22-90, with pre-tinned end. Color: white/black stripe.

APPLICATION

- These parts are designed to provide an environment resistant shield termination on cables, rated for 125°C minimum, meeting the dimensional criteria listed and having tin or silver-plated shields and insulation compatible with the insert material. For compatible insulations, see SAE-AS83519/2 or consult TE Connectivity.
- For assembly information, refer to TE Connectivity/Raychem document RCPS-100-70.
- Parts shall be marked with identification code "S02XXR"; XX shall be replaced with the product size 07 thru 10.
- For best results, prepare the cable as shown:



		Raychem DEVICES	TITLE: SOLDERSLEEVE SHIELD TERMINATOR ENVIRONMENT RESISTANT WITH PRE-TINNED END LEAD		
Unless otherwise specified dimensions are in millimeters. [Inches dimensions are shown in brackets]			DOCUMENT NO.:		
			S02-XX-R-90-65-T		
TOLERANCES: 0.00 N/A 0.0 N/A 0 N/A	ANGLES: N/A ROUGHNESS IN MICRON	TE Connectivity reserves the right to amend this drawing at any time. Users should evaluate the suitability of the product for their application.	REV : D	DATE : 01-DEC-2021	
PREPARED BY: MALLIKA.D	CAGE CODE: 06090	ECN: ECN-21-128737	SCALE: NTS	SIZE: A	SHEET: 1 of 1