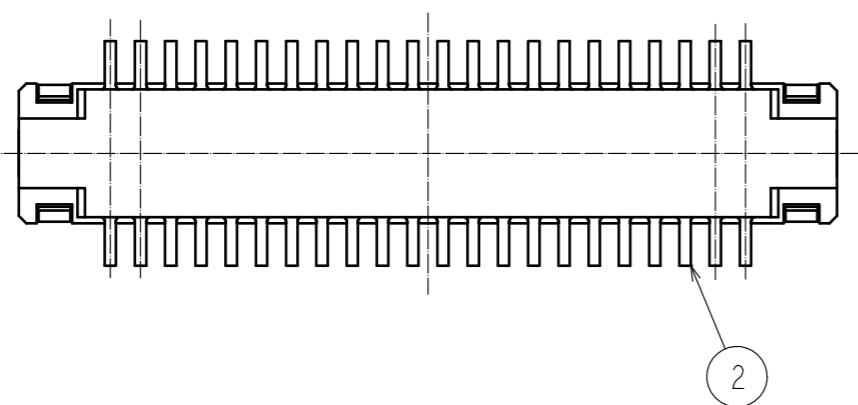
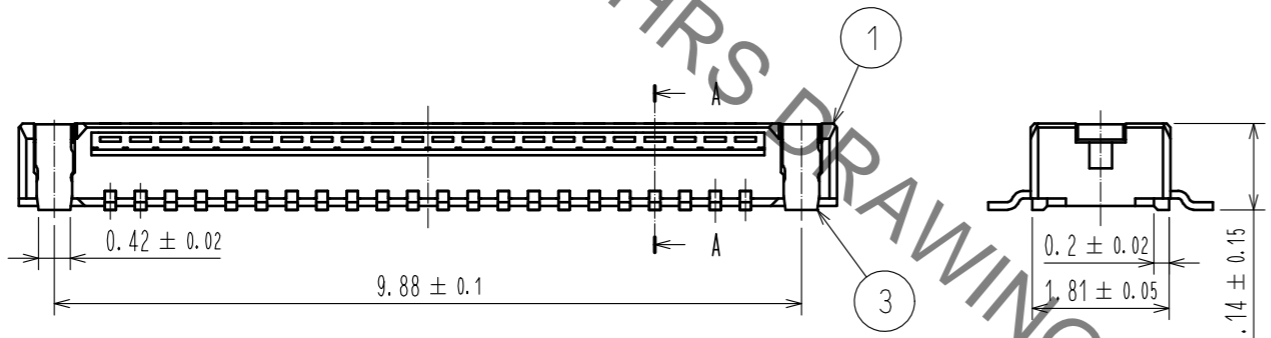
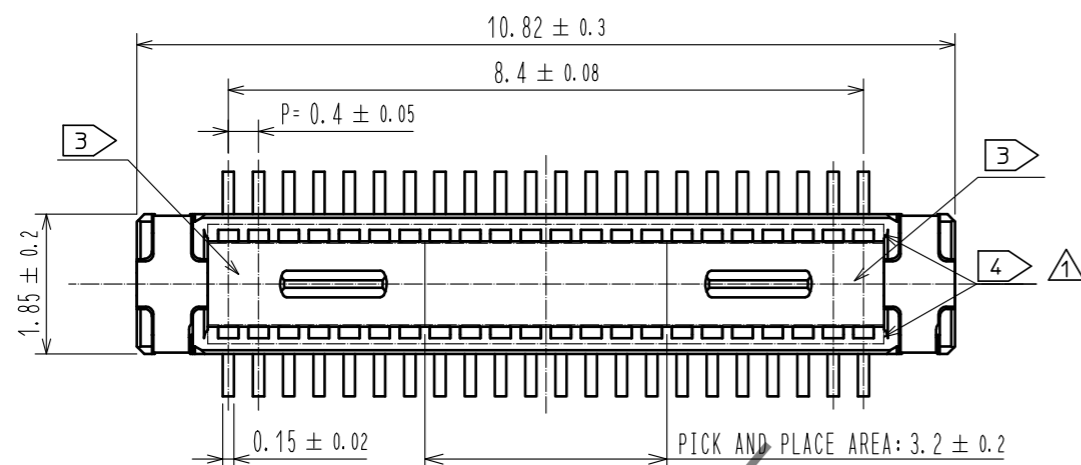
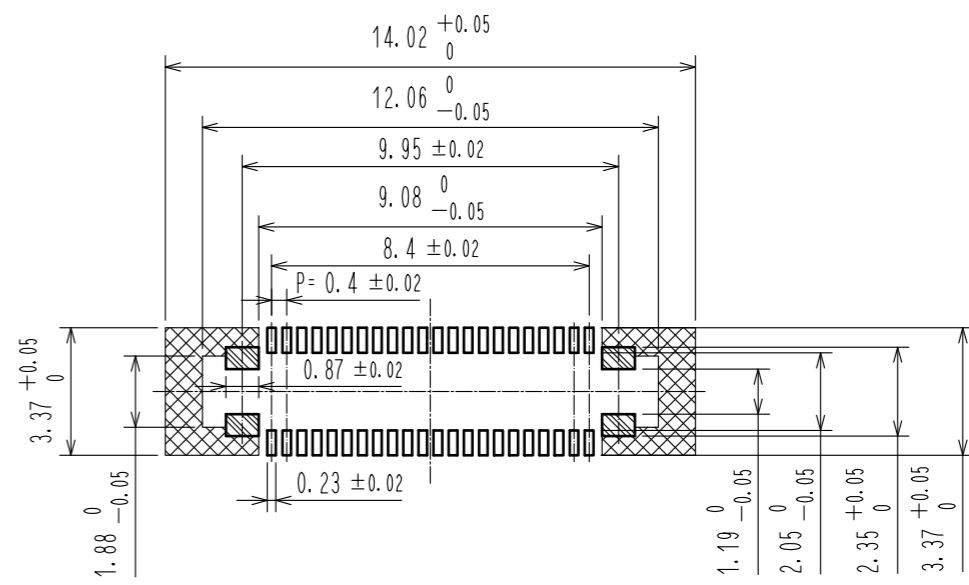


May.1.2023 Copyright 2023 HIROSE ELECTRIC CO., LTD. All Rights Reserved.
In case of consideration for using Automotive equipment / device which demand high reliability, kindly contact our sales window correspondents.

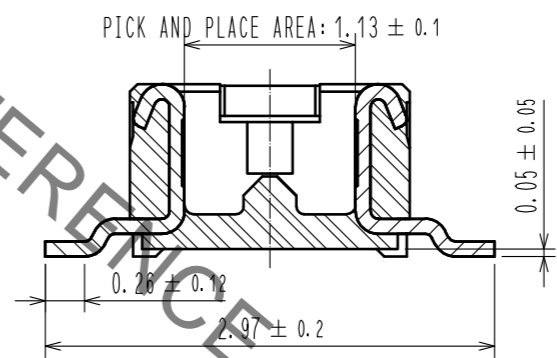


RECOMMENDED PATTERN (5:1)



□ : SIGNAL ▨ : GROUND ▩ : NON-CONDUCTIVE AREA
RECOMMENDED METAL MASK THICKNESS : 120 μm
RECOMMENDED MASK OPENING RATIO : 80% FOR LEAD PAD

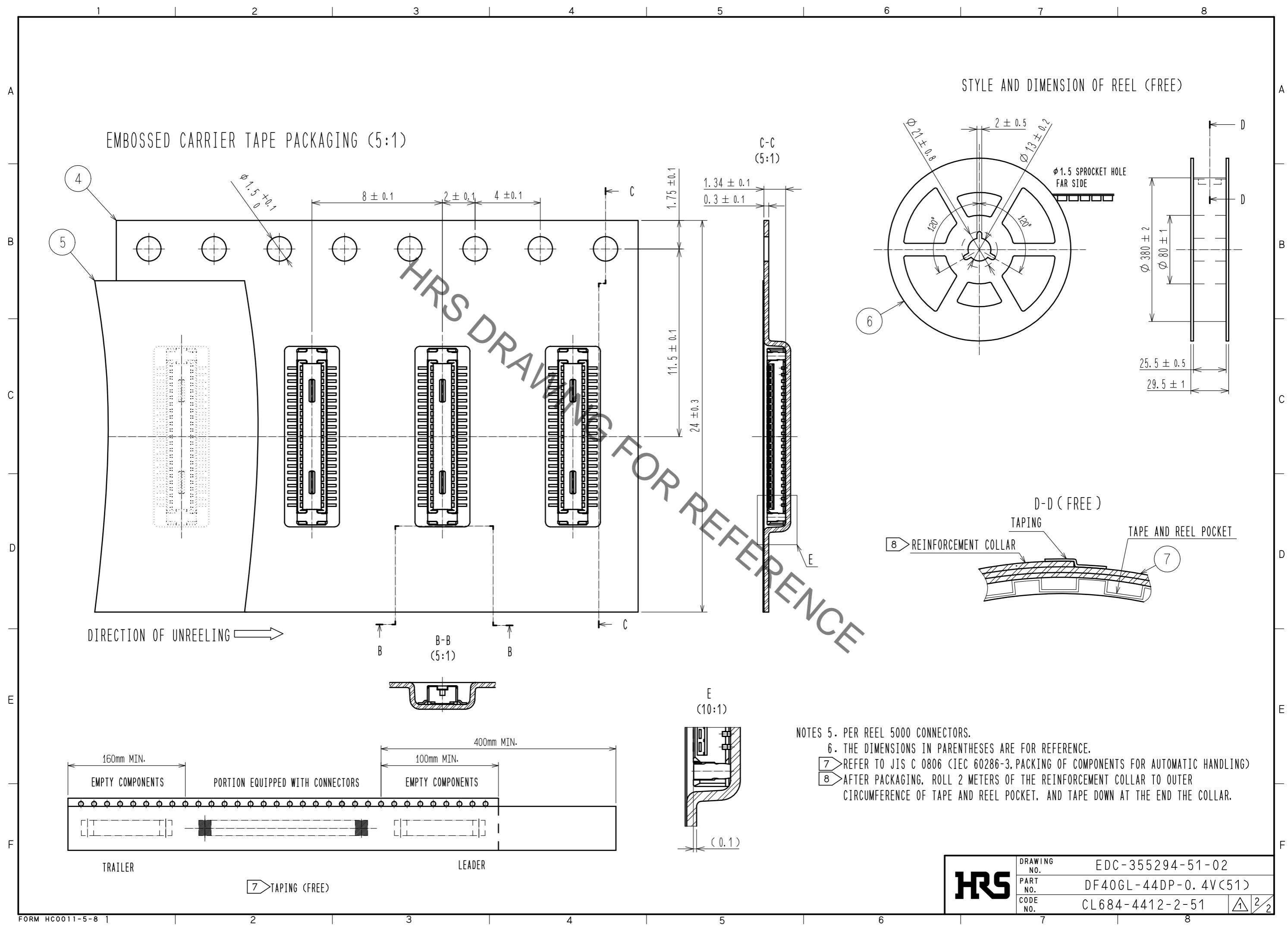
A-A (20:1)



- NOTES
- ALL LEAD CO-PLANARITY SHALL BE 0.1mm MAX.
 - PLATING SPECIFICATIONS
CONTACT AREA : GOLD 0.05 μm MIN
SMT LEAD : GOLD 0.05 μm MIN
UNDER PLATING : NICKEL 1 μm MIN
(SURFACE : SEALING)
 - HRS MARK AND CAV No. ARE INDICATED IN APPROX POSITION SHOWN.
 - THERE IS A POSSIBILITY THAT THE RESIN WILL BE EXPOSED AT THIS AREA, BUT THIS WILL NOT AFFECT THE CONTACT RELIABILITY.

3	STAINLESS STEEL	2	7	PS	CLEAR(REINFORCEMENT COLLAR)
2	PHOSPHOR BRONZE	2	6	PS	BLACK(PLASTIC REEL)
1	LCP	BLACK , UL94 V-0	5	POLYESTER	CLEAR(COVER TAPE)
			4	PS	CLEAR(EMBOSSED CARRIER TAPE)
NO.	MATERIAL	FINISH , REMARKS	NO.	MATERIAL	FINISH , REMARKS
UNITS	mm	SCALE	10 : 1	COUNT	2
DESCRIPTION OF REVISIONS			DESIGNED	CHECKED	DATE
DIS-H-00006346			PAN YIWEI	YK. SATAKE	20200928
APPROVED : MO. ISHIDA 20150206			DRAWING NO. EDC-355294-51-02		
CHECKED : WR. FUKUCHI 20150206			PART NO. DF40GL-44DP-0.4V(51)		
DESIGNED : SJ. WADA 20150206			CODE NO. CL684-4412-2-51		
DRAWN : SJ. WADA 20150206			1/2		

May.1.2023 Copyright 2023 HIROSE ELECTRIC CO., LTD. All Rights Reserved.
In case of consideration for using Automotive equipment / device which demand high reliability, kindly contact our sales window correspondents.



7 TAPING (FREE)

HRS DRAWING FOR REFERENCE



DRAWING NO.	EDC-355294-51-02
PART NO.	DF40GL-44DP-0.4V(51)
CODE NO.	CL684-4412-2-51

2/2