



#### FEATURES

Magnetic connector
Self-mating & self-alignment
Food grade materials
Prevents wire & cable damage
Easy cleaning
5000 mating cycles
IP67 (mated)
Gold plated Pogo pins (spring loaded)

#### SPECIFICATIONS

Electrical	
Voltage	48VDC max
Amperage	1.5A
Pins	18 AWG wire maximum

#### MECHANICAL

Material	Food grade Teflon (white)
Shell	316 stainless steel
Pins	Gold plated (x6)
Weight	70g (2.5 oz)
Retention force	10 pounds
Connector type	Self-mating
Cable size	2.8 - 8.0mm (1/8" - 1/4")

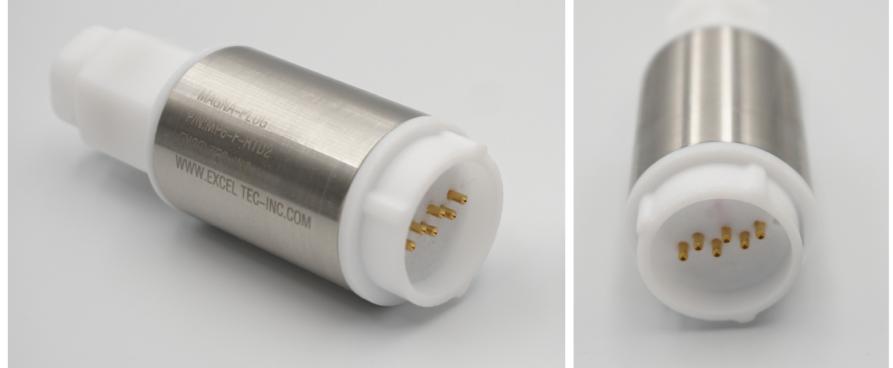
#### ENVIRONMENT

Rating	IP67 / NEMA 6 (mated)
Operating temperature	-40°C to 150°C (-40°F to 302°F)
Dust & waterproof	

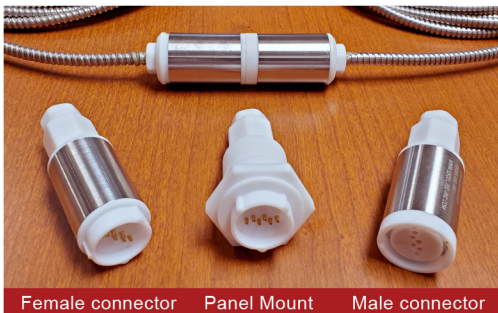
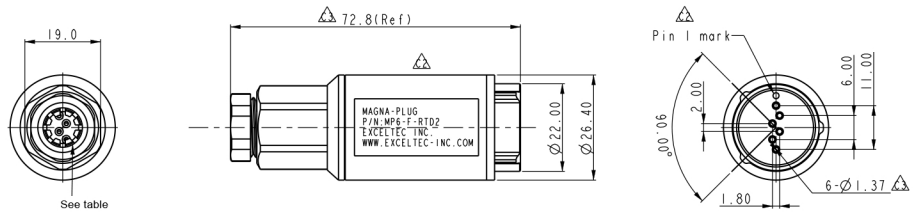
#### TYPICAL APPLICATIONS

Temperature probes, measuring instruments, auto manufacturing, food & pharma, manufacturing equipment, Ethernet communications, drones and more

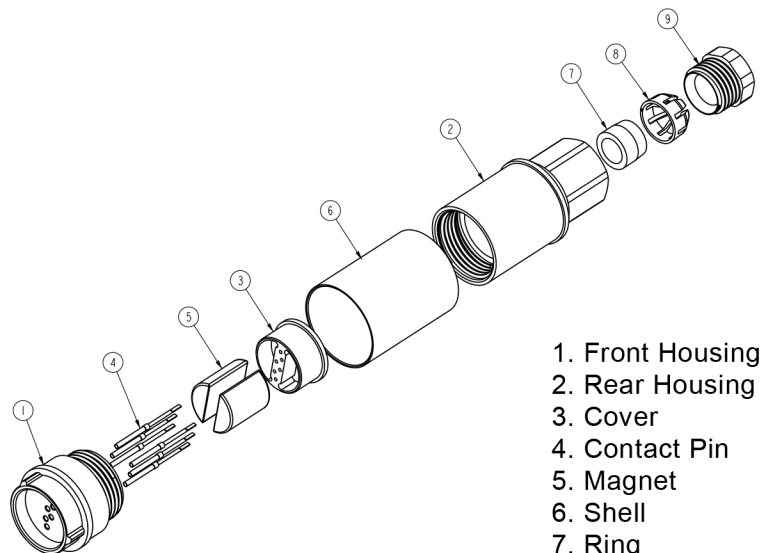
### MAGNETIC CONNECTOR 6P FEMALE



MP6-F-RTD2 Female connector – 6 sockets



Female connector Panel Mount Male connector



1. Front Housing
2. Rear Housing
3. Cover
4. Contact Pin
5. Magnet
6. Shell
7. Ring
8. Claw
9. Nut

### ORDERING INFORMATION

Part number	Description
MP6-F-RTD2	Female connector – 6 sockets