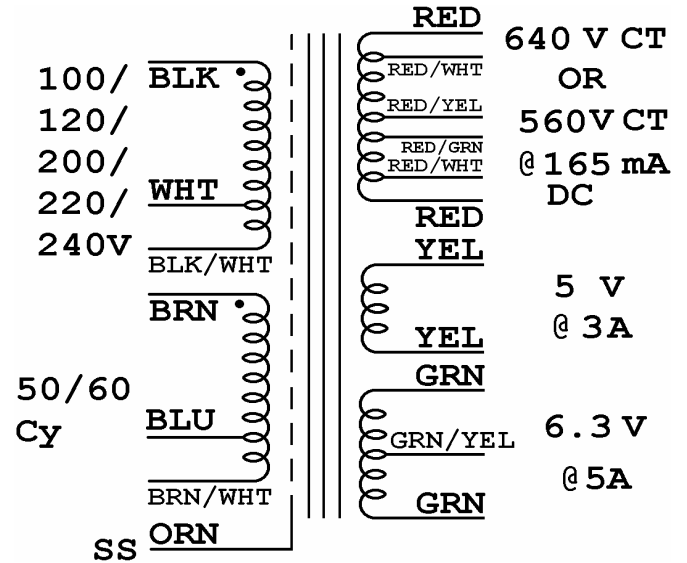
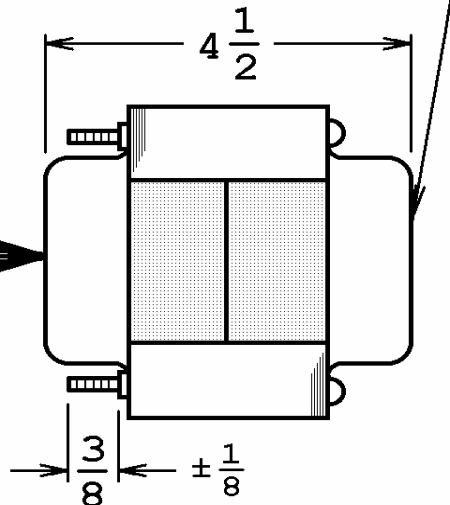
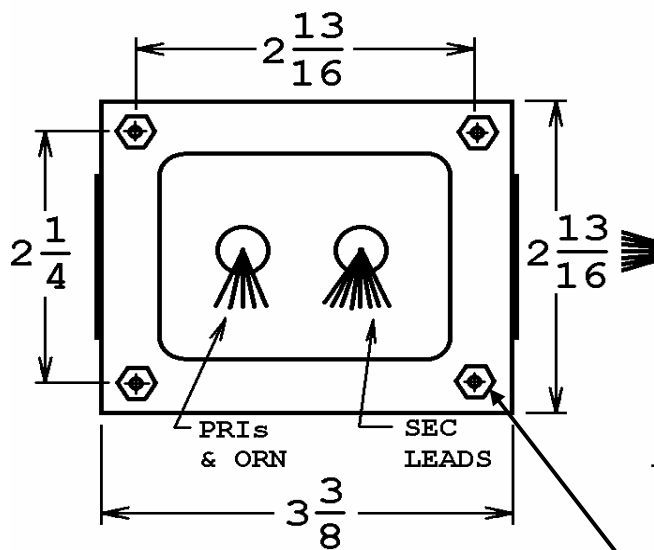


This drawing is the property of Magnetic Components, Inc. and shall not be reproduced, in whole or in part, without the written permission of Magnetic Components, Inc.

REVISIONS			
LTR	DESCRIPTION	DATE	APPROVED



USE FOUR # 8-32 HEX NUTS (NOT SUPPLIED) FOR CHASSIS MOUNTING. PLEASE DO NOT REMOVE EXISTING HEX NUTS.

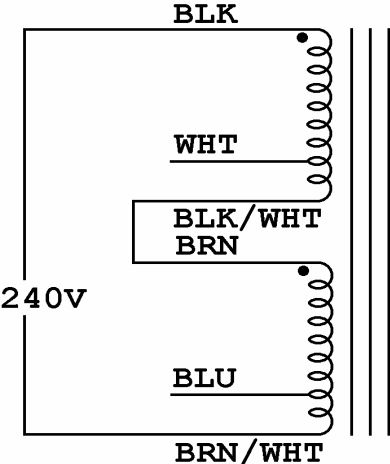
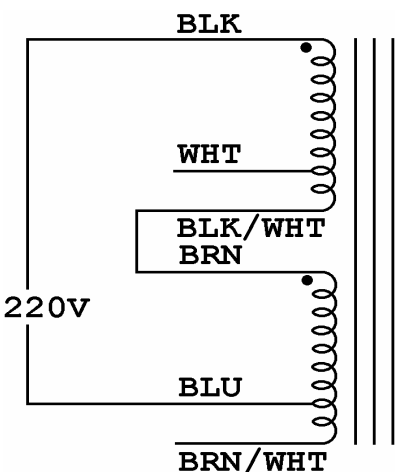
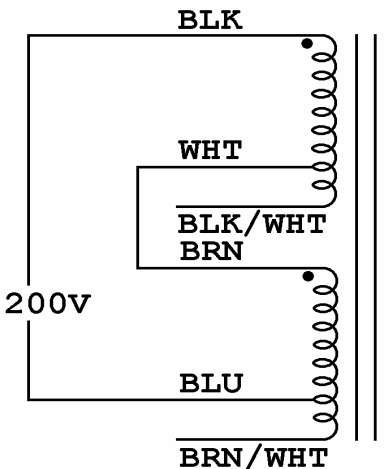
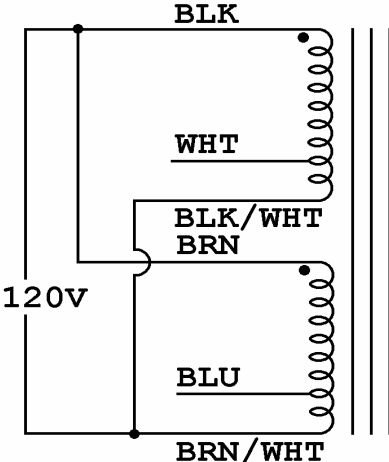
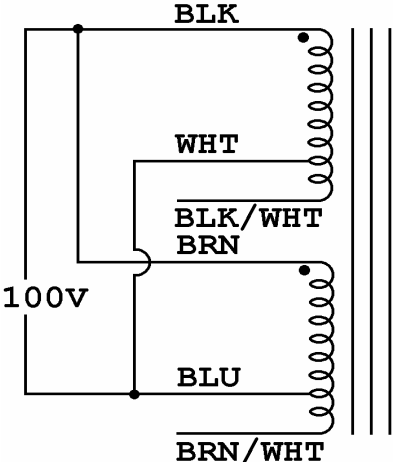
RED/YEL IS HV CENTER TAP. RED/GRN IS 50V BIAS TAP

→ SEE SHEET 2 FOR PRIMARY CONNECTIONS ←

UNLESS OTHERWISE SPECIFIED ALL DIMENSIONS IN INCHES DO NOT SCALE DRAWING FRACTIONS +/- .X = +/- .XX = +/- .XXX = +/- ANGLES = +/-	SIGNATURES		DATE	MAGNETIC COMPONENTS, INC.		DIV : LOC : SCHILLER PK	
	DRAWN : <i>[Signature]</i>		08 JUN 2015	TITLE			
	CHECK :			POWER TRANSFORMER			
	APPR : <i>[Signature]</i>		08 JUN 2015	CAGE 50508	SIZE A	PART No. 40-18107	REV -
			SCALE NONE	SHEET :			

This drawing is the property of Magnetic Components, Inc. and shall not be reproduced, in whole or in part, without the written permission of Magnetic Components, Inc.

REVISIONS			
LTR	DESCRIPTION	DATE	APPROVED



UNLESS OTHERWISE SPECIFIED ALL DIMENSIONS IN INCHES DO NOT SCALE DRAWING FRACTIONS +/- .X = +/- .XX = +/- .XXX = +/- ANGLES = +/-	SIGNATURES		DATE	MAGNETIC COMPONENTS, INC.		DIV : LOC : SCHILLER PK	
	DRAWN : <i>Mef</i>		08 JUN 2015	TITLE PRIMARY WIRING DIAGRAMS			
	CHECK :						
	APPR : <i>M. Locketta</i>		08 JUN 2015	CAGE 50508	SIZE <b>A</b>	PART No. <b>40-18107</b>	REV -
			SCALE NONE	SHEET : 2 OF 2			