

<b>Crimp Adapter For 35mm wide U-Dies In Pneumatic Crimp Machine</b>	<b>molex</b>	
	<b>Application Tooling Specification Sheet</b>	

### Features

- The Quick Change Crimp Adapter allows crimp die kits to be easily installed into the bench mounted pneumatic crimp machine UP 60.
- Powered crimp capabilities help reduce fatigue and discomfort from repetitive manual crimping.

### Scope

The 63801-8902 Crimp Adapter was created for use with the 35mm wide U-dies when used with the Universal Pneumatic Crimp Machine UP 60 (Order No. 63801-8900).

### Installation

To install the U-dies in the Crimp Adapter and the Crimp Adapter into the Universal Pneumatic Crimp Machine UP 60, refer to the Instruction Manual TM-638018900, Section 9 *Adapters*.

### Maintenance

It is recommended that each operator of the tool be made aware of, and responsible for, the following maintenance steps:

1. Remove dust, moisture and other contaminants with a clean brush, or soft, lint-free cloth.
2. Do not use any abrasive materials that could damage the tool.
3. Make certain the pins are protected with a thin coat of high quality machine oil. Do not oil excessively. This tool was engineered for durability, but like any fine piece of equipment, it needs cleaning and lubrication for a maximum service life of trouble-free crimping. The use of a light oil, such as SAE 30 weight automotive oil, every 5,000 crimps or monthly, will significantly enhance the tool life and ensure a stable calibration.
4. Store the tool in a clean and dry area when not in use.

## Warranty

This tool is for electrical terminal crimping purposes only. This tool is made of the best quality materials. All vital components are long life-tested. All tools are warranted free of manufacturing defects for a period of **30 days**. Should such a defect occur, we will repair or exchange the tool free of charge. This repair or exchange will not be applicable to alter, misused, or damaged tools.

### Crimp Adapter Parts List

Item Number	Order Number	Description	Quantity
1	63801-8902	Crimp Adapter for 35mm wide U-Dies with Safety Guard	1
2	63801-8992	Safety Guard	0

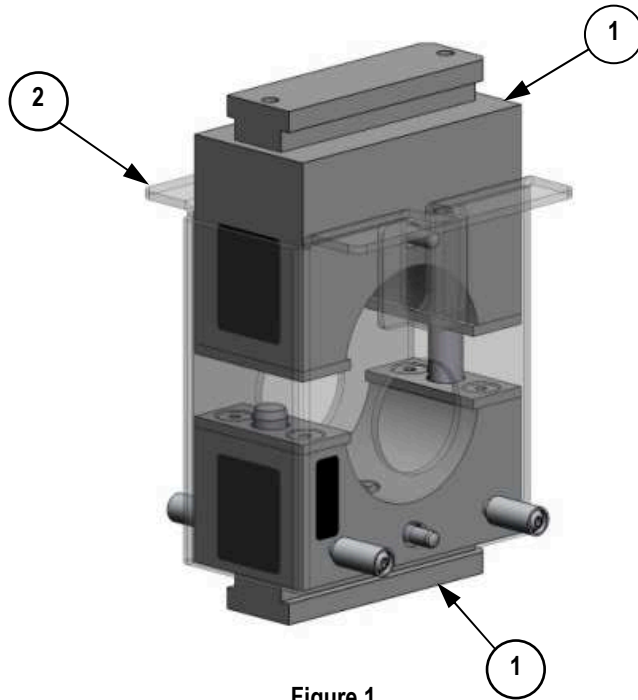


Figure 1

**Contact Information**

For more information on Molex application tooling please contact Molex at 1-800-786-6539.

Visit our Web site at <http://www.molex.com>