

PART NUMBER	VERSION	PRODUCT SPECIFICATION	PLATING
95040-2881	STANDARD	PS 95040	2
95040-2889	HIGH TEMPERATURE	PS-95040-688	2
95040-4881	HIGH MATING CYCLES	PS-95040-001	7

**NOTES:**

**1- MATERIAL :**

HOUSING : POLYAMIDE 4/6 GLASS FILLED UL 94V0. COLOUR: BLACK  
89992-0008

**TERMINAL : PHOSPHOR BRONZE PLATED WITH :**

PLATING 2 : 0.00127/.000050 MIN GOLD IN CONTACT AREA,  
0.00190/.000075 MIN TIN IN TAIL AREA,  
BOTH OVER 0.00127/.000050 MIN NICKEL OVERALL

PLATING 7 : POST PLATE 0.00005/.000002 MIN GOLD OVER 0.00076/.000030 MIN  
PALLADIUM NICKEL IN CONTACT AREA 0.00190/.000075 MIN  
TIN IN TAIL AREA BOTH OVER 0.00127/.000050 MIN NICKEL OVERALL.

SHIELD : BRASS PLATED WITH 0.0020/.000078 MIN. TIN

2- P.C. BOARD THICKNESS : 1.57/.062 ±0.15/.006

3- JACK FOR MATING WITH F.C.C. 68 PLUGS  
95043 MOLEX SERIES.

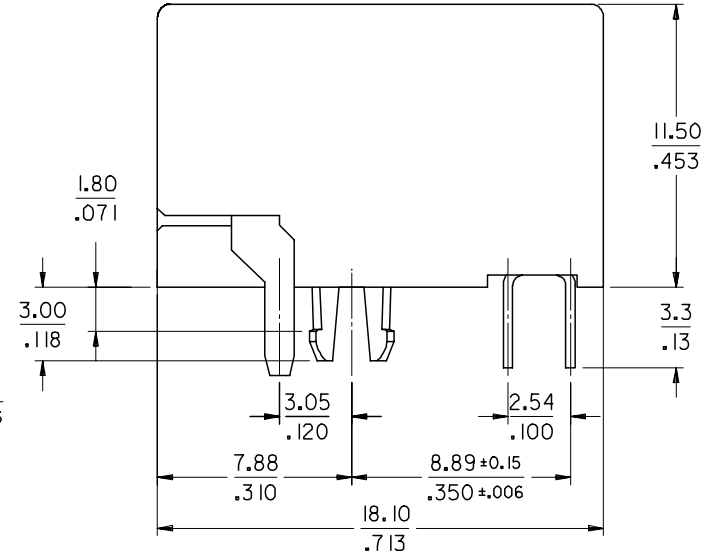
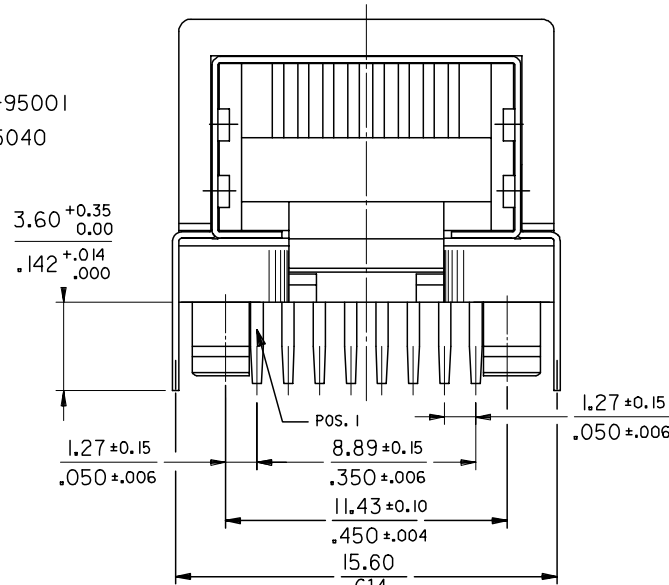
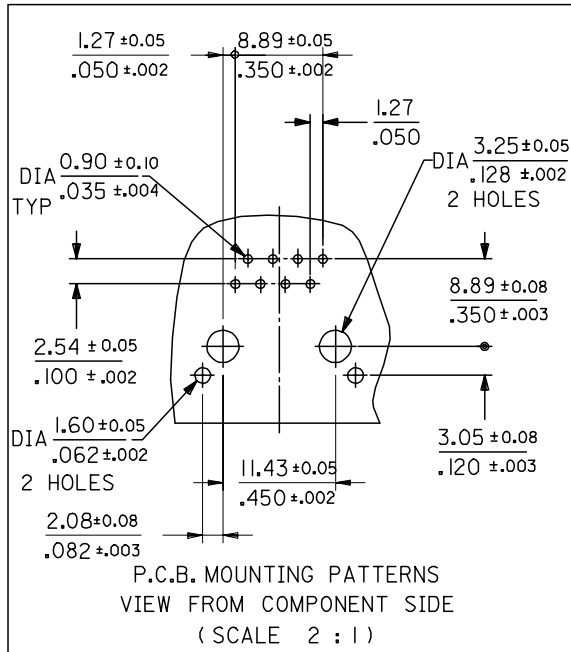
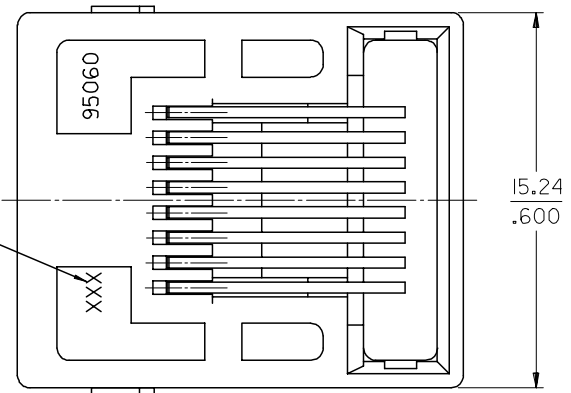
4- PRODUCT SPECIFICATION: SEE CHART

5- APPLICATION SPECIFICATION: MOLEX AS-95001

6- PACKAGING SPECIFICATION: MOLEX PK-95040

7- LOGO MAY BE MXF, MG OR MXI

SEE NOTE 7



REV	DESCRIPTION	QUALITY SYMBOLS		GENERAL TOLERANCES (UNLESS SPECIFIED)		DIMENSION STYLE		SCALE	DESIGN UNITS	THIRD ANGLE PROJECTION
		mm	INCH	MM/IN	DATE	MM/IN	DATE			
Y	MODIFIED SIDE WALLS	±0.05	±0.002	MM/IN	89/04/12	DRAWN BY: CB		5:1	METRIC	RIGHT ANGLE LOW PROFILE SHIELDED PC JACK (THROUGH HOLE VERSION)
	EC NO: E2007-0681	±0.05	±0.002	MM/IN	89/04/12	CHECKED BY: TB				
	DRWN:DBRYNES	±0.05	±0.002	MM/IN	89/04/12	APPROVED BY: JB		MOLEX INCORPORATED		SHEET NO. 1 OF 3
	CHKD: APRR:EOMAHONY	±0.05	±0.002	MM/IN	89/04/12	MATERIAL NO. SEE CHART		DOCUMENT NO. SDA-95040		
	APPR: EOMAHONY	±0.05	±0.002	MM/IN	89/04/12	DRAFT WHERE APPLICABLE MUST REMAIN WITHIN DIMENSIONS		THIS DRAWING CONTAINS INFORMATION THAT IS PROPRIETARY TO MOLEX INCORPORATED AND SHOULD NOT BE USED WITHOUT WRITTEN PERMISSION		