



## TagLock™ Securing Device for 120/277V Breaker

Catalog #: 148690, 148698 & 148699

www.bradyid.com

### Design

- Extremely versatile device, works on a wide range of single-pole breakers
- Secure with 50 lb. minimum strength non-releasable nylon fasteners (shown) or padlock
- Made of rugged polypropylene and impact modified nylon
- Use thumbscrew to clamp lockout securely onto switch tongue, then pull cover over thumbscrew and lock in place to prevent clamp from being loosened
- Blade design provides tighter grip with less torque on thumbscrew
- Accepts lock shackles up to 9/32" in diameter, and comes with detachable cleats to expand the range of applicable breakers



### Material

- Taglock, Cleat and Body - Polypropylene
- Color: Body Red (PMS 1805C)
- Slide, Slidelock and Thumbscrew - Glass-filled Nylon
- Color: Black
- Screw and Blade - Stainless Steel
- UL Rating: UL 94 – HB

### Temperature Range

- Polycarbonate: -40° to 115°C (-40° to 239°F)

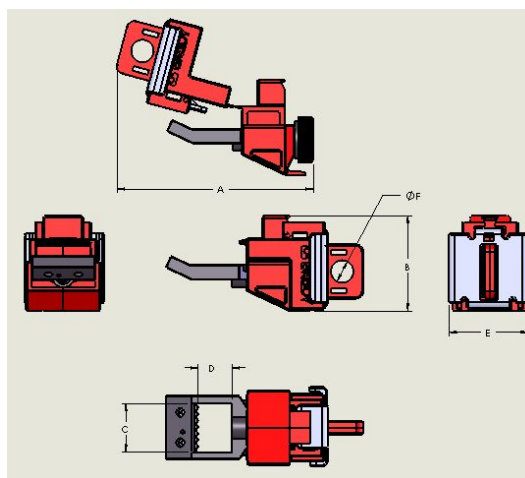
### Chemical Resistance

All approved chemicals listed are based on the manufactures specified chemical resistance chart for plastic material only. All other materials in the device are made of steel.

Chemical	°C	Chemical	°C
Acetone	25	Petroleum	25
Acetone	60	Turpentine oil	25
Chlorine, chlorine water	25	Turpentine substitute (white spirit)	25
Fuel, engine: Gasoline (normal & premium grade)	85	Trichloroethane 1,1,1	45
Lubrication oil: gear oil	< 120	Lubricating oil: HD engine oils, hydraulic oils, transformer oils	< 120
Fuel, engine: M15 mixture (15% methanol)	70	Water (including seawater)	25
Methanol	25	Water (including seawater), chlorinated (<0,5 mg/l)	80

### Dimensions

"A"	-	2.626" [66.71mm]
"B"	-	1.272" [32.3mm]
"C"	-	0.650" [16.5mm]
"D"	-	0.445" [11.3mm]
"E"	-	1.064" [27.02mm]
"F"	-	0.302" [7.66mm]



## Circuit Breaker Cross Reference Guide

Circuit Breaker Manufacture	Breaker Type	# of Poles	Circuit Breaker Manufacture	Breaker Type	# of Poles	Circuit Breaker Manufacture	Breaker Type	# of Poles	Circuit Breaker Manufacture	Breaker Type	# of Poles
American Ckt. Bkr.	NEF	3	Cutler Hammer	QHCW	1	General Electric	TQD	2-3	Square D	KA	2-3
American Switch	C	1	Cutler Hammer	QHCX	1	General Electric	TQL-A	1	Square D	KAL	2-3
Bryant	BR	1	Cutler Hammer	QHPW	1	General Electric	TQL-S	1	Square D	KC	2-3
Challenger	C	1	Cutler Hammer	QHPX	1	Heinemann	LB	1	Square D	KCL	2-3
Challenger	LM	1	Cutler Hammer	QPGF	1	Heinemann	LF	1	Square D	KH	2-3
Challenger	NEJ	1-2	Cutler Hammer	QPGFEP	1	Heinemann	LJ	1	Square D	KHL	3
Cutler Hammer	BA	1	Cutler Hammer	QPHGF	1	Lemag	SD62	1	Square D	KI	2-3
Cutler Hammer	BAB	1	Cutler Hammer	QPHGFEP	2	Merlin Gerin	CE104D	3	Square D	KIL	2-3
Cutler Hammer	BD	1	Cutler Hammer	QPHW	1	Seimans ITE	BL	1	Square D	Q1B	2-3
Cutler Hammer	BR	1	Fed. Pacific Elec	BAB	1	Seimans ITE	BLH	1	Square D	Q1L	2-3
Cutler Hammer	BRH	1	Fed. Pacific Elec	NB	1	Seimans ITE	BQ	1	Square D	Q2	2-3
Cutler Hammer	CC	3	Fed. Pacific Elec	NBH GFI	1	Seimans ITE	BQCH	1-3	Square D	Q2H	2-3
Cutler Hammer	CH	1	Fed. Pacific Elec	NE/NEF	1-3	Seimans ITE	BQD	1-3	Square D	Q2L	2-3
Cutler Hammer	CHH	3	Fed. Pacific Elec	NEJ	1-3	Seimans ITE	BQH	1	Square D	Q2MT	2-3
Cutler Hammer	CHB	1	Fed. Pacific Elec	NFJ	1-3	Seimans ITE	CED6	2-3	Square D	QO	2-3
Cutler Hammer	CHP	1	Fed. Pacific Elec	NP-single	1	Seimans ITE	CQD	1-3	Square D	QOB	2-3
Cutler Hammer	CL	1	Frank Adams	P	1	Seimans ITE	E2	1-3	Square D	QOB-VH	1
Cutler Hammer	CSR	1	FUJI Electric	EA53B	3	Seimans ITE	E4	1-3	Square D	QOM1-VH	2
Cutler Hammer	E125B	1-4	FUJI Electric	EA203B	3	Seimans ITE	ED	1-3	Square D	QOM2-VH	2
Cutler Hammer	E125E	1-4	FUJI Electric	BU-ESB	3	Seimans ITE	ED4	1-3	Square D	QO-SWN	2-3
Cutler Hammer	E125H	1-4	FUJI Electric	BU-ESA	3	Seimans ITE	ED6	1-3	Square D	QOU	2-3
Cutler Hammer	E125S	1-4	FUJI Electric	BU-FSB	3	Seimans ITE	ED6-ETI	3	Square D	QO-VH	2-3
Cutler Hammer	ED	2-4	General Electric	HQC	3	Seimans ITE	EE3	3	Thomas & Betts	F Frame	1-3
Cutler Hammer	EDC	2-4	General Electric	SED	2-3	Seimans ITE	EH3	3	Toshiba	E225B	3
Cutler Hammer	EDH	2-4	General Electric	SEH	2-3	Seimans ITE	ET	3	Westinghouse	BA	1-3
Cutler Hammer	EFH	1-4	General Electric	SEL	2-3	Seimans ITE	FJ2-B	2-3	Westinghouse	BAA5	1-3
Cutler Hammer	EGB	1-4	General Electric	SEP	2-3	Seimans ITE	GF	1	Westinghouse	BR	1-3
Cutler Hammer	EGE	1-4	General Electric	SFH	2-3	Seimans ITE	HBL	1	Westinghouse	CA	1-3
Cutler Hammer	EGS	1-4	General Electric	SFL	2-3	Seimans ITE	HBQ	1	Westinghouse	EB	1-3
Cutler Hammer	EHC	1-4	General Electric	SFP	2-3	Seimans ITE	HE4	1-3	Westinghouse	ED	1-3
Cutler Hammer	EHD	1-4	General Electric	ITB	2	Seimans ITE	HED4	1-3	Westinghouse	EH	1-3
Cutler Hammer	FB	2-3	General Electric	TBC	2	Seimans ITE	HED6	2-3	Westinghouse	EHB	1-3
Cutler Hammer	FC	1-4	General Electric	TE	1-3	Seimans ITE	HHED6	2-3	Westinghouse	EHD	1-3
Cutler Hammer	FD	1-4	General Electric	TEB	1-3	Seimans ITE	HQJ2-H	3	Westinghouse	FA	3

# Technical Data Sheet

Cutler Hammer	FDB	2-4	General Electric	TED	1-3	Seimans ITE	HQP	1	Westinghouse	FB	2-3
Cutler Hammer	FDC	2-4	General Electric	TEF	1-3	Seimans ITE	HQPP	1	Westinghouse	FD	1-4
Cutler Hammer	FS	2-3	General Electric	TEL	3	Seimans ITE	QJ2	2-3	Westinghouse	FDB	2-4
Cutler Hammer	GB	1-3	General Electric	TEML	3	Seimans ITE	QJ2-H	2-3	Westinghouse	FDC	2-4
Cutler Hammer	GC	1-3	General Electric	TEY	1-3	Seimans ITE	QJH2	2-3	Westinghouse	GB	1-3
Cutler Hammer	GD	1-3	General Electric	TF	1-3	Seimans ITE	QP	1	Westinghouse	GBH	1-3
Cutler Hammer	GDB	1-3	General Electric	TFC	3	Seimans ITE	QP1	1	Westinghouse	GHB	1-3
Cutler Hammer	GHB	1-3	General Electric	THED	1-3	Seimans ITE	QPH	1	Westinghouse	HBAW	1
Cutler Hammer	GHBGFEP	1	General Electric	THEF	1-3	Seimans ITE	QPP	1	Westinghouse	HBAX	1
Cutler Hammer	GHC	1-3	General Electric	THHQB-A	1	Seimans ITE	QPPH	1	Westinghouse	HCA	3
Cutler Hammer	GHCGFEP	1	General Electric	THHQB-S	1	Seimans ITE	3VF3	3	Westinghouse	HFB	1-3
Cutler Hammer	HBAW	1	General Electric	THHQC-A	1	Square D	EDB	1-3	Westinghouse	HFD	1-4
Cutler Hammer	HBAX	1	General Electric	THHQC-S	1	Square D	EGB	1-3	Westinghouse	HMCP	
Cutler Hammer	HFD	1-4	General Electric	THHQL-A	1	Square D	EH4	1-3	Westinghouse	HQNP	3
Cutler Hammer	HGHB	1	General Electric	THHQL-S	1	Square D	EHB	1-3	Westinghouse	HQP	1
Cutler Hammer	HGHC	1	General Electric	THLC1	3	Square D	EJB	1-3	Westinghouse	MCPO	3
Cutler Hammer	HMCP	2-3	General Electric	THQB-A	1	Square D	FA	1-3	Westinghouse	P	3
Cutler Hammer	HQP	1	General Electric	THQB-S	1	Square D	FAL	1-3	Westinghouse	QBHW	1
Cutler Hammer	QBGF	1	General Electric	THQC-A	1	Square D	FC	3	Westinghouse	QC	1
Cutler Hammer	QBGFEP	1	General Electric	THQC-S	1	Square D	FCL	2-3	Westinghouse	QCHQ	1
Cutler Hammer	QBHGF	1	General Electric	THQD	2-3	Square D	FDA		Westinghouse	QHCW	1
Cutler Hammer	QBHGFEP	1	General Electric	THQL-A	1	Square D	FH	1-3	Westinghouse	QHCX	1
Cutler Hammer	QBHW	1	General Electric	THQL-S	1	Square D	FHL	1-3	Westinghouse	QHPW	1
Cutler Hammer	QC	1	General Electric	TJC	2-3	Square D	FHL-DC	3	Westinghouse	QPHW	1
Cutler Hammer	QCD	1	General Electric	TKC	3	Square D	FHP	3	Westinghouse	Quicklag P	
Cutler Hammer	QCGF	1	General Electric	TQB-A	1	Square D	FI	3	Westinghouse	RE	
Cutler Hammer	QCGFEP	1	General Electric	TQB-S	1	Square D	FIL	3	Westinghouse	WPHX	1
Cutler Hammer	QCHGF	1	General Electric	TQC-A	1	Square D	FY	1	Zinsco	HQB	6

## MSDS Information

### 1. HAZARDS IDENTIFICATION

This product is NOT DANGEROUS and contains no hazardous ingredients.

### 2. FIRST AID MEASURES/HEALTH INFORMATION /PROTECTION

Eye Contact:	Not applicable, product is inert
Ingestion:	Not applicable, first aid is not normally required.
Inhalation:	Not applicable
Skin Contact:	Not applicable, product is inert, except if product is melted use gloves. For hot melted product, immerse in or flush affected area with water to dissipate heat, and then obtain medical attention.
Exposure Limits:	None
Threshold Limits	None
Personal Protection:	None (ambient conditions)
NPCA-HMIS Rating:	Health: 0; Flammability: 1; Reactivity: 0
NFPA-704 Rating:	Health: 0; Flammability: 1; Reactivity: 0

### 3. FIRE-FIGHTING MEASURES

<ul style="list-style-type: none"> <li>Be cautious of hot melted Nylon</li> </ul>	<ul style="list-style-type: none"> <li>Use water spray to cool fire, exposed surfaces, and to protect personnel</li> </ul>
<ul style="list-style-type: none"> <li>Isolate product from fire</li> </ul>	<ul style="list-style-type: none"> <li>Respiratory and eye protection is required for fire fighting personnel</li> </ul>
<ul style="list-style-type: none"> <li>Extinguish fire with water spray</li> </ul>	<ul style="list-style-type: none"> <li>Decomposition products under fire conditions: Oxygen-lean conditions may cause monoxide and irritating smoke</li> </ul>

### 4. ACCIDENTAL RELEASE MEASURES

Land	Recover material and place in suitable container for reuse or for disposal in conformance with local regulations.
Water	Recover material and place in suitable container for reuse or for disposal in conformance with local regulations.

### 5. HANDLING AND STORAGE

5.1 Handling	5.2 Storage
--------------	-------------

# Technical Data Sheet

No precautions noted-see local regulation if needed	Storage pressure: Atmospheric
	Storage temperature: Ambient, no direct sunlight

## 6. EXPOSURE CONTROLS/PERSONAL PROTECTION

6.1 Exposure limit values	6.2 Exposure Controls
None	6.2.1 Occupational Exposure Controls
	6.2.1.1 Respiratory Protection: Not applicable
	6.2.1.2 Hand Protection: Not applicable
	6.2.1.3 Eye Protection: Not applicable
	6.2.1.4 Skin Protection: Not applicable
	6.2.2 Environmental Exposure Controls: No data available

## 7. PHYSICAL AND CHEMICAL PROPERTIES

General Information	
Other Information	

## 8. STABILITY AND REACTIVITY

8.1 Conditions to Avoid
Higher Temperatures and direct sunlight (chemical resistance is excellent)
Highly stable, but temperatures over 480 F may cause degradation
8.2 Materials to Avoid
No data available
8.3 Hazardous Decomposition Products
Under fire and oxygen-lean conditions may cause monoxide and irritating smoke

## MSDS Information (continued)

## 9. ECOLOGICAL INFORMATION

9.1 Ecotoxicity	No data available
9.2 Mobility	No data available
9.3 Persistence and Degradability	No data available
9.4 Bioaccumulative Potential	No data available
9.5 Other Adverse Effects	No data available

## 10. DISPOSAL CONSIDERATIONS

None of the materials in this product are Recyclable, dispose of all materials in accordance with an applicable federal, state, and local law.
--

## 11. TRANSPORT INFORMATION

No data available
-------------------

## 12. REGULATORY INFORMATION

This product has been tested and validated to the Regulatory Requirements listed below:	
● OSHA 29 CFR 1910.147 ©(4)(ii)(A)(1)/(c)(5)(ii)(C)(1)	● ANSI Standard Z244

## 13. OTHER INFORMATION

No data available
-------------------

**WARRANTY STATEMENT**

Supplier warrants that all goods will be free from defects in materials and workmanship for a period of six (6) months from the time of delivery to the consumer by Supplier. Repair, replacement or credit (at Supplier's option) upon return of the goods is Purchaser's sole remedy for any such losses, expenses, inconveniences or damages. The limited warranty does not apply if (1) the defect is the result of use or handling of the goods in a manner, circumstance, or purpose other than those approved or instructed by Supplier, as identified in the installation procedures accompanying the product, the instruction for use found on the product and as found on the Brady's website; or (2) the goods are misused or abused or there is evidence of tampering, mishandling, neglect, accidental damages, modifications or repair without the approval of Supplier.

Copyright 2019 Brady Worldwide, Inc. | All Rights Reserved  
Material may not be reproduced or distributed in any form without written permission.