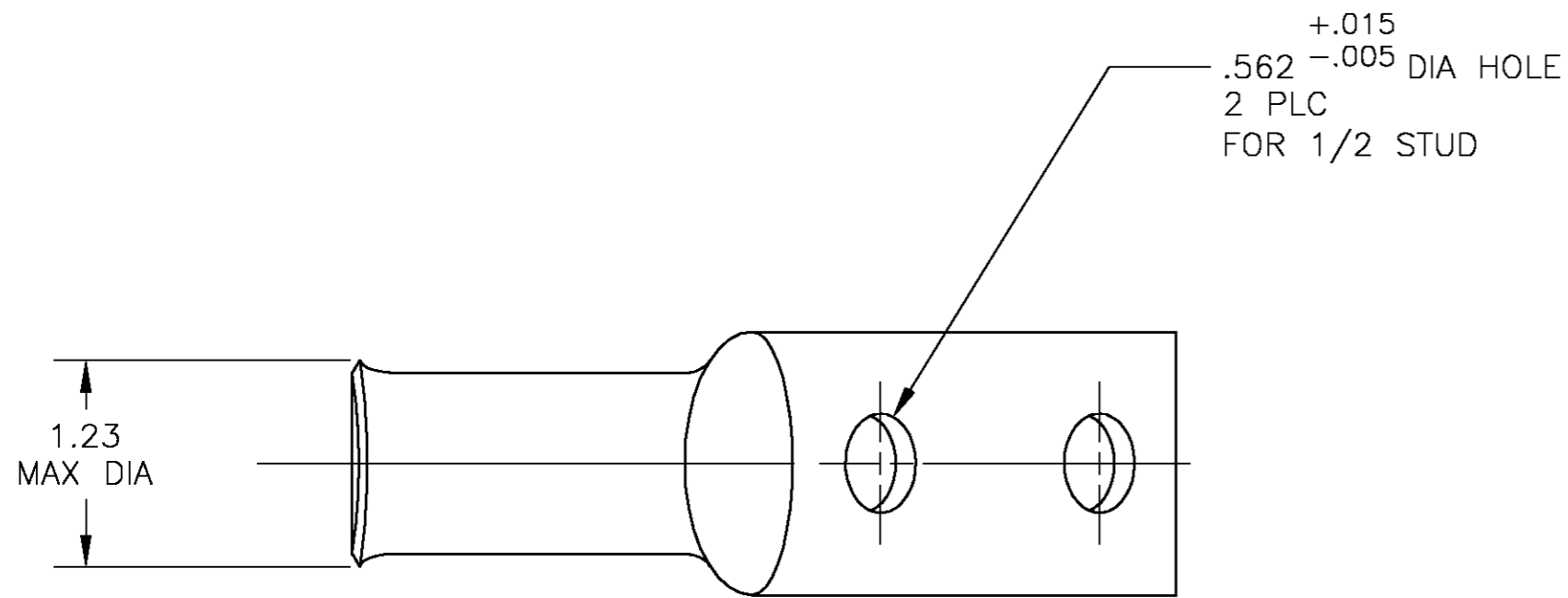
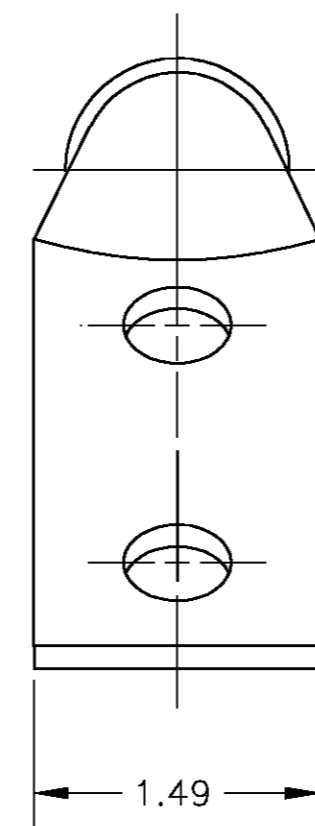
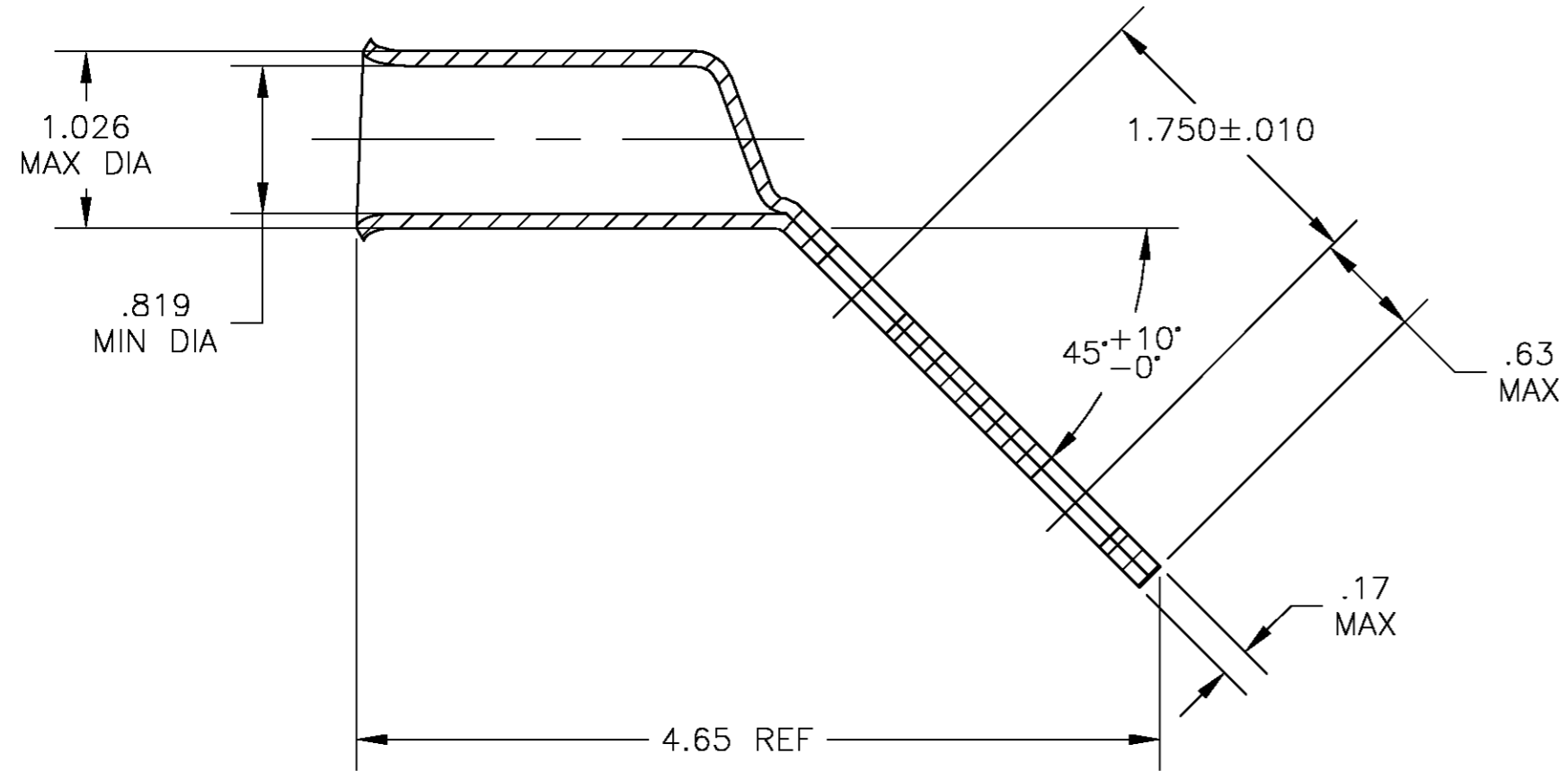
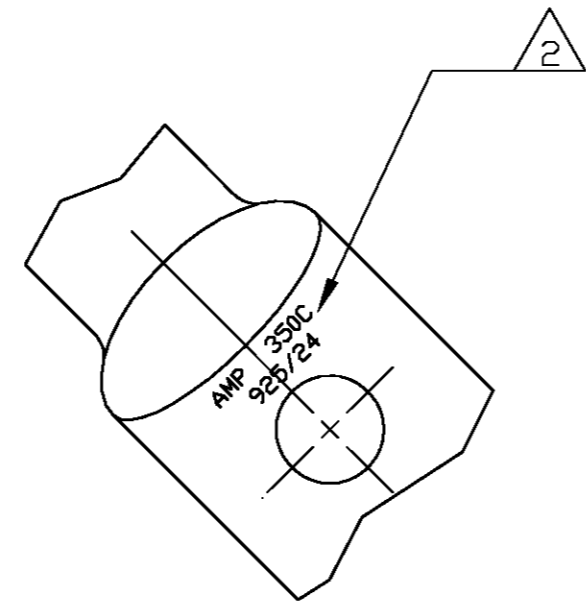


THIS DRAWING IS UNPUBLISHED. RELEASED FOR PUBLICATION  
 © COPYRIGHT BY TYCO ELECTRONICS CORPORATION. ALL RIGHTS RESERVED.

LOC	DIST	REVISIONS					
		P	LTR	DESCRIPTION	DATE	DWN	APVD
G	86	0		PROPOSED	-	-	-



- 1 CIRCULAR MIL RANGE: 325-375 MCM
- △ 2 STAMP AMP 350C 925/24 ,LOCATE APPROX AS SHOWN.
- △ 3 .000150 MIN THK TIN PER ASTM B545
- △ 4 COPPER PER ASTM B-75, ANNEALED



696684-1  
PART NO

THIS DRAWING IS A CONTROLLED DOCUMENT.		DWN jr ruth 29JAN04	Tyco Electronics Corporation Harrisburg, Pa 17105-3608	
DIMENSIONS: INCHES		CHK MJ SPICER 29JAN04		
TOLERANCES UNLESS OTHERWISE SPECIFIED:		APVD MJ SPICER 29JAN04	NAME TERMINAL, AMPOWER BENT 45, WIRE SIZE 350 MCM	
0 PLC ± -	1 PLC ± -	PRODUCT SPEC 108-30200	SIZE A2	CAGE CODE 00779
2 PLC ± -	3 PLC ± .020	APPLICATION SPEC	DRAWING NO C=696684	
4 PLC ± -	ANGLES ± 1°	FINISH	RESTRICTED TO	
MATERIAL - △ 4			SCALE 1:1 SHEET 1 OF 1 REV 0	
CUSTOMER DRAWING				