

6

5

4

3

2

1

E

E

D

D

C

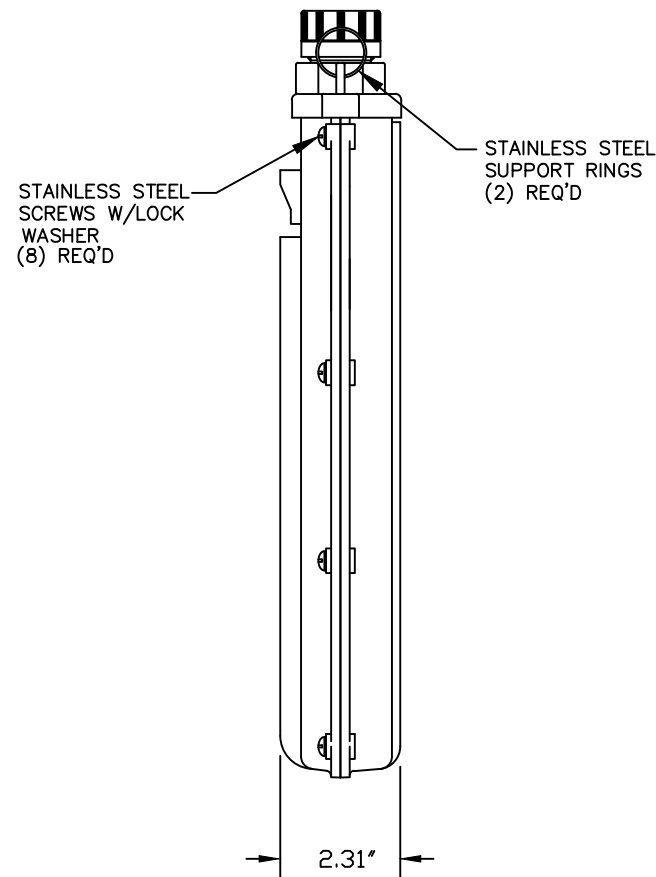
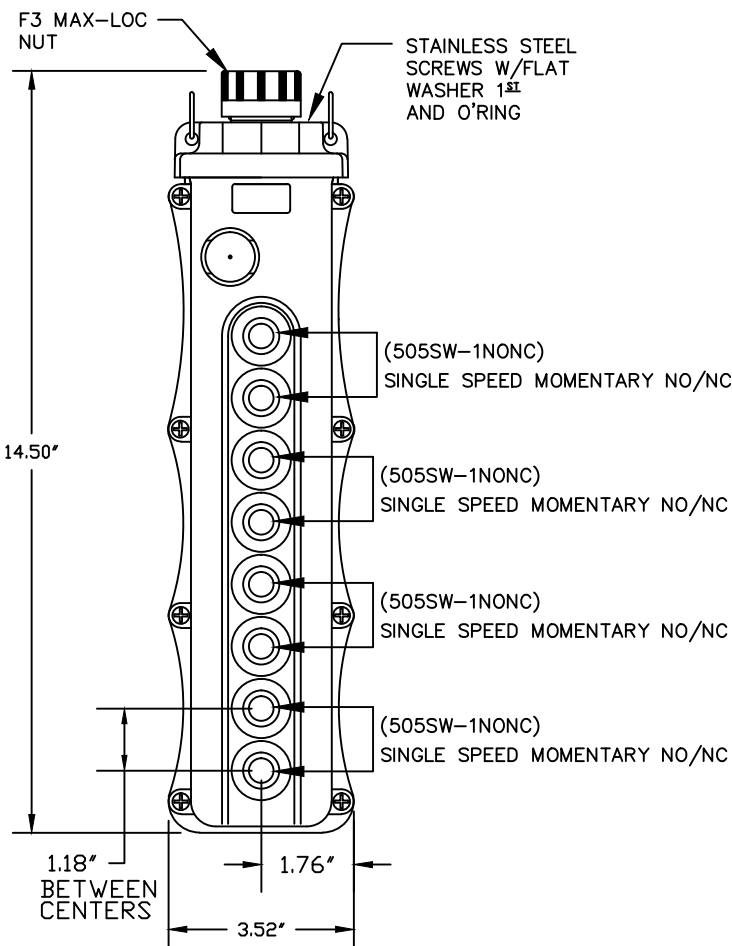
C

B

B

A

A



NOTES:

1. INSTALLATION INSTRUCTIONS, BUTTON ID. LABELS. ARE PACK WITH THE PART.
2. ALL BUTTONS ARE HIGH AMBIENT, CHEMICALLY RESISTANT MATERIAL - COLOR BLACK

CUSTOMER APPROVAL DWG EC NO: IPC2013-0340 DRWN: HKNEELAN 2012/09/06 CHKD: HKNEELAN APPR: DTITUS 2012/10/15	DESCRIPTION REV	QUALITY SYMBOLS	GENERAL TOLERANCES (UNLESS SPECIFIED)		DIMENSION STYLE INCH		SCALE NTS	DESIGN UNITS INCH	THIRD ANGLE PROJECTION	
		$\nabla = 0$ $\nabla C = 0$	mm	INCH	DRAWN BY	DATE	TITLE			
		4 PLACES	±---	±---	HKNEELAN	2009/04/03	8 POS PENDANT W/ (4) 505SW-1NONC ----			
		3 PLACES	±---	±.020	CHECKED BY	DATE				
2 PLACES	±0.05	±.010	DTITUS	2012/09/06	<b>MOLEX INCORPORATED</b>					
1 PLACE	±0.10	±.005	APPROVED BY	DATE						
ANGULAR ±5°			DRAFT WHERE APPLICABLE MUST REMAIN WITHIN DIMENSIONS		MATERIAL NO.	1301260340	DOCUMENT NO.	SD-130126-058	SHEET NO.	
A			SIZE A		THIS DRAWING CONTAINS INFORMATION THAT IS PROPRIETARY TO MOLEX INCORPORATED AND SHOULD NOT BE USED WITHOUT WRITTEN PERMISSION					