

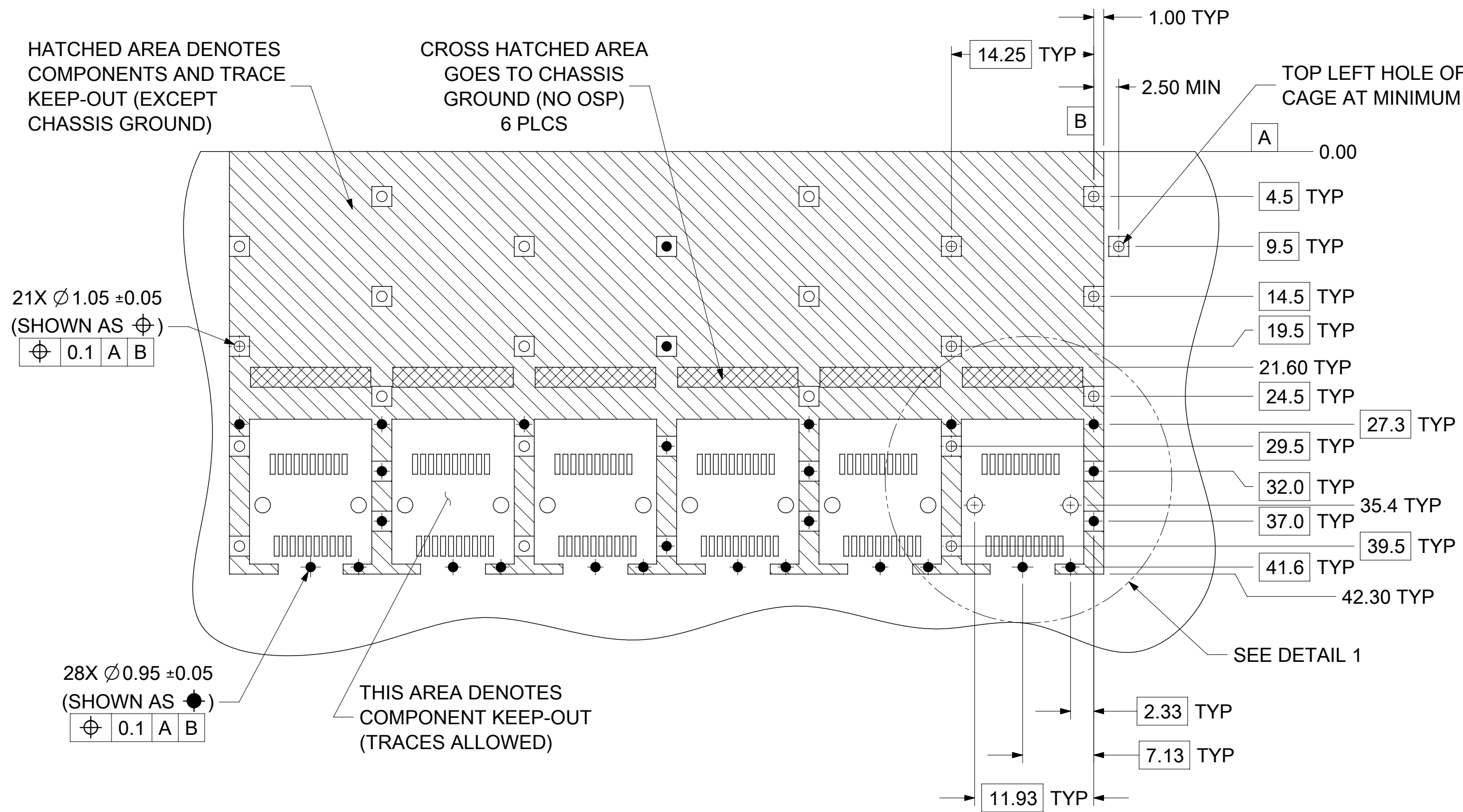
PART NO. AND WEEK/YEAR DATE CODE TO BE PRINTED OR LASERED ON THE SIDE OF COMPLETED CAGE ASSEMBLY APPROXIMATELY AS SHOWN

WEEK/YEAR DATE CODE TABLE	
WW	WEEK 01 THRU 52 OR 53 EXAMPLE: 01 = FIRST WEEK OF YEAR 52 = LAST WEEK OF YEAR
YY	22, 23, 24, ETC. EXAMPLE: YEAR 2022 = 22

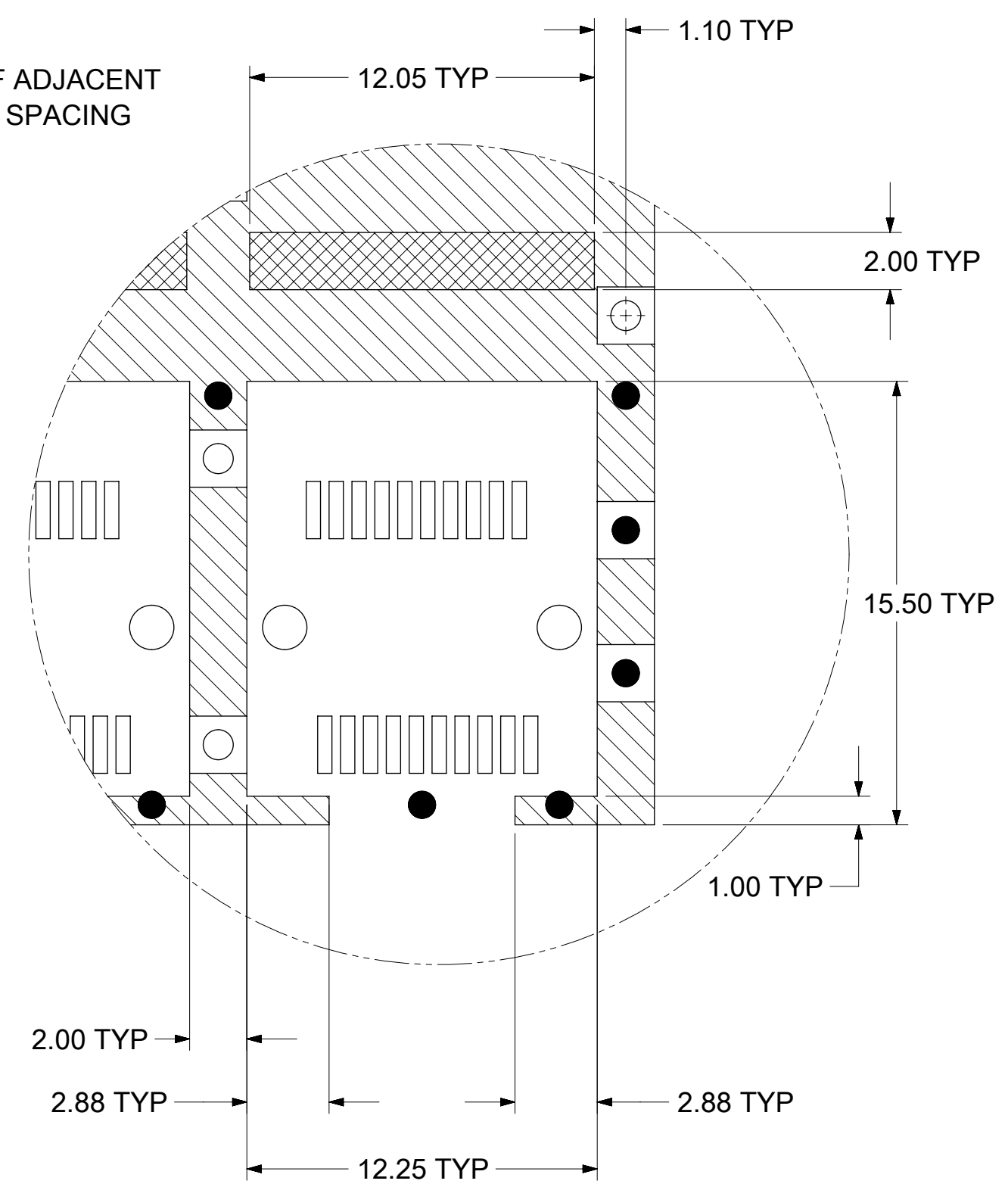
- NOTES:**
- MATERIAL:**
 CAGE: 0.25mm THICK COPPER ALLOY, NICKEL PLATED.
 SPRING FINGERS: STAINLESS STEEL.
 UNDER BELLY GASKET: EMI GASKET, UL94-V0.
 COPPER FOIL: COPPER TAPE
 - PRESS FIT LEGS 3.05mm LONG:**
 - PORTS ARE DESIGNED FOR SFP+ TRANSCEIVERS AND ARE COMPATIBLE WITH SFP TRANSCEIVERS. THE TOP SURFACE OF THE MODULE MUST BE FLAT (NO PRODUCT LABEL RECESS) AND THERMALLY CONDUCTIVE TO FUNCTION OPTIMALLY.**
 - WELD SPOT MAY SHOW SLIGHT MATERIAL DISCOLORATION.**
 - NO RoHS EXEMPTIONS.**

FUNCTIONAL SYMBOLS $\nabla_A = 0$ $\nabla_E = 0$ $\nabla_P = 0$	THIS DRAWING CONTAINS INFORMATION THAT IS PROPRIETARY TO MOLEX ELECTRONIC TECHNOLOGIES, LLC AND SHOULD NOT BE USED WITHOUT WRITTEN PERMISSION		CURRENT REV DESC: SEE REVISION TABLE		
	DIMENSION UNITS	SCALE			
	GENERAL TOLERANCES (UNLESS SPECIFIED)				
	ANGULAR TOL	± 1.0°			
DIVISIONAL SYMBOLS $\nabla_A = 0$ $\nabla_E = 0$ $\nabla_P = 0$	4 PLACES	±	EC NO: 707054	2022/04/12	ZSFP+ 1X6 CAGE ASSY, COPPER FOIL ON TOP, PRESS FIT, WITH SUS EMI SPRING FINGERS PRODUCT CUSTOMER DRAWING
	3 PLACES	±	DRWN: PKH	2022/05/20	
	2 PLACES	± 0.15	CHK'D: TKUMARKC	2022/05/23	
	1 PLACE	± 0.25	APPR: SCHIEN		
DRAFT WHERE APPLICABLE MUST REMAIN WITHIN DIMENSIONS		THIRD ANGLE PROJECTION	DRAWING	SERIES	DOCUMENT NUMBER
			C-SIZE	100115	1001158621
					CUSTOMER
					PSD ASY A
					SHEET NUMBER
					1 OF 5

PCB LAYOUT FOR SINGLE SIDE MOUNT



HOST CONNECTOR DETAIL



DETAIL 1
SCALE 5:1

- NOTES:
- PADS AND VIAS CONNECT TO CHASSIS GROUND (RECOMMEND PADS TO BE 2.00mm SQUARE)
 - RECOMMENDED THRU HOLE PLATING INCLUDES HASL, OSP, OR IMMERSION (GOLD, SILVER, OR TIN).
 - CONNECTOR PAD LAYOUT PER SFP+ MSA WILL ACCOMMODATE MOLEX CONNECTOR SERIES 74441 OR EQUIVALENT.
 - HOLE PATTERN REPEATS FOR EACH PORT. SPACING BETWEEN PORTS IS 14.25mm.
 - MIN PCB THICKNESS FOR SINGLE SIDED USE: 1.57mm

FUNCTIONAL SYMBOLS		THIS DRAWING CONTAINS INFORMATION THAT IS PROPRIETARY TO MOLEX ELECTRONIC TECHNOLOGIES, LLC AND SHOULD NOT BE USED WITHOUT WRITTEN PERMISSION		CURRENT REV DESC: SEE REVISION TABLE	
$\frac{F}{A} = 0$	DIMENSION UNITS	SCALE			
$\frac{F}{C} = 0$	mm	2.5:1			
$\frac{F}{P} = 0$	GENERAL TOLERANCES (UNLESS SPECIFIED)				
	ANGULAR TOL $\pm 1.0^\circ$				
DIVISIONAL SYMBOLS		4 PLACES \pm	EC NO: 707054	2022/04/12	
		3 PLACES \pm	DRWN: PKH	2022/05/20	
		2 PLACES ± 0.15	CHK'D: TKUMARKC	2022/05/23	
		1 PLACE ± 0.25	APPR: SCHIEN		
		0 PLACES \pm	INITIAL REVISION:		
			DRWN: PKH	2022/04/12	
			APPR: SCHIEN	2022/05/23	
DRAFT WHERE APPLICABLE MUST REMAIN WITHIN DIMENSIONS		THIRD ANGLE PROJECTION	DRAWING	SERIES	MATERIAL NUMBER
			C-SIZE	100115	1001158621
			CUSTOMER		SHEET NUMBER
					2 OF 5

molex

ZSFP+ 1X6 CAGE ASSY, COPPER FOIL ON TOP, PRESS FIT, WITH SUS EMI SPRING FINGERS

PRODUCT CUSTOMER DRAWING

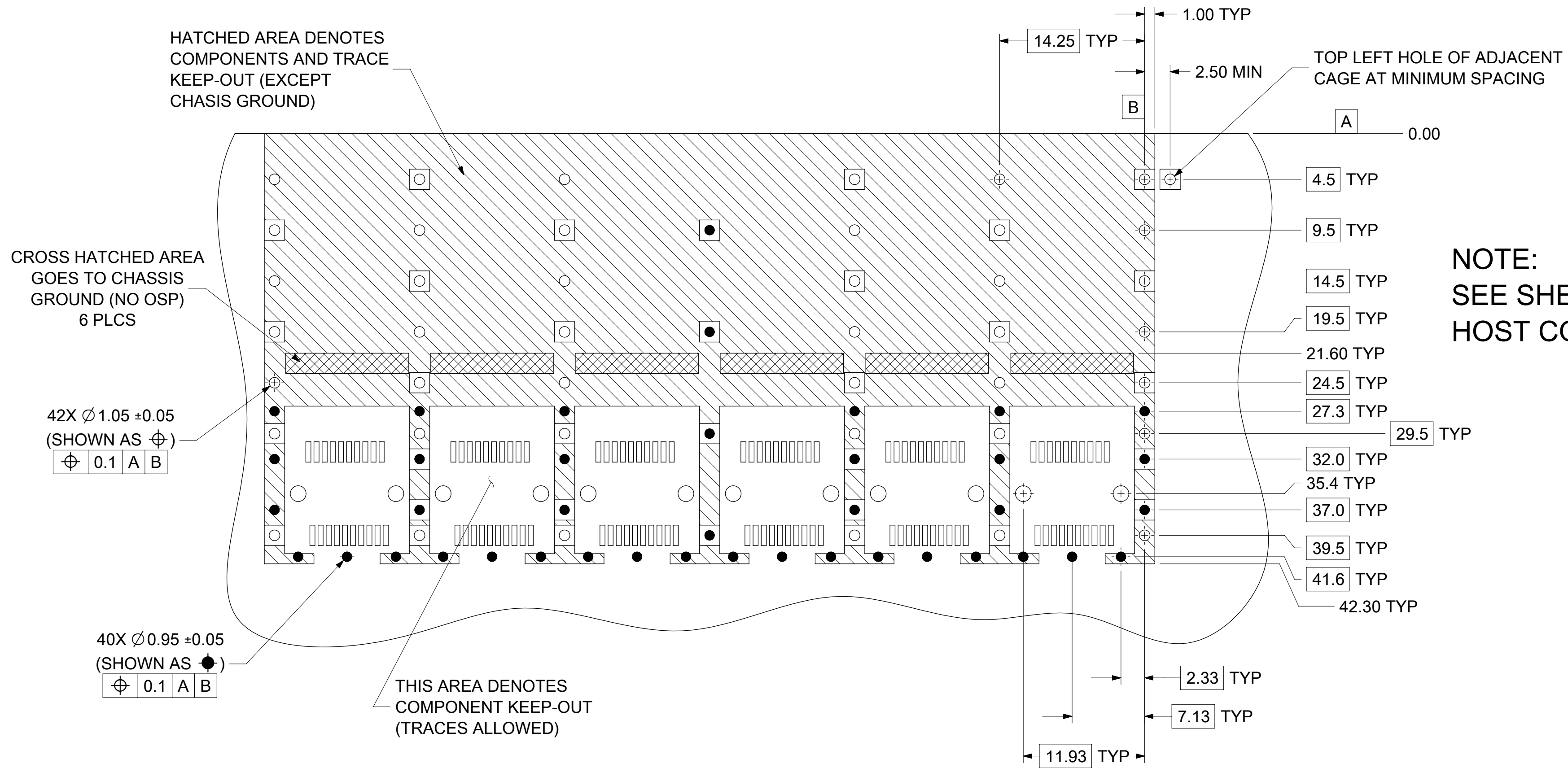
DOCUMENT NUMBER: 1001158621

DOC TYPE: PSD

DOC PART: ASY

REVISION: A

PCB LAYOUT FOR BELLY TO BELLY MOUNTING



NOTE:
SEE SHEET 2 FOR
HOST CONNECTOR DETAIL

- NOTES:**
1. PADS AND VIAS CONNECT TO CHASSIS GROUND (RECOMMEND PADS TO BE 2.00mm SQUARE)
 2. RECOMMENDED THRU HOLE PLATING INCLUDES HASL, OSP, OR IMMERSION (GOLD, SILVER, OR TIN).
 3. CONNECTOR PAD LAYOUT PER SFP+ MSA WILL ACCOMMODATE MOLEX CONNECTOR SERIES 74441 OR EQUIVALENT.
 4. HOLE PATTERN REPEATS FOR EACH PORT. SPACING BETWEEN PORTS IS 14.25mm.
 5. MIN PCB THICKNESS FOR BELLY TO BELLY USE: 3.00mm

FUNCTIONAL SYMBOLS	THIS DRAWING CONTAINS INFORMATION THAT IS PROPRIETARY TO MOLEX ELECTRONIC TECHNOLOGIES, LLC AND SHOULD NOT BE USED WITHOUT WRITTEN PERMISSION		CURRENT REV DESC: SEE REVISION TABLE	
	DIMENSION UNITS	SCALE		
$\frac{A}{A} = 0$	mm	3:1		
GENERAL TOLERANCES (UNLESS SPECIFIED)				
	ANGULAR TOL	± 1.0°		
DIVISIONAL SYMBOLS	4 PLACES	±		
	3 PLACES	±		
	2 PLACES	± 0.15		
	1 PLACE	± 0.25		
	0 PLACES	±		
DRAFT WHERE APPLICABLE MUST REMAIN WITHIN DIMENSIONS		THIRD ANGLE PROJECTION	DRAWING	SERIES
			C-SIZE	100115
DOCUMENT STATUS		DOC TYPE	DOC PART	REVISION
P1	RELEASE DATE	1001158621	PSD	ASY
2022/05/23	11:20:25	1001158621		A
MATERIAL NUMBER		CUSTOMER	SHEET NUMBER	
1001158621			3 OF 5	

molex

ZSFP+ 1X6 CAGE ASSY, COPPER FOIL ON TOP, PRESS FIT, WITH SUS EMI SPRING FINGERS

PRODUCT CUSTOMER DRAWING

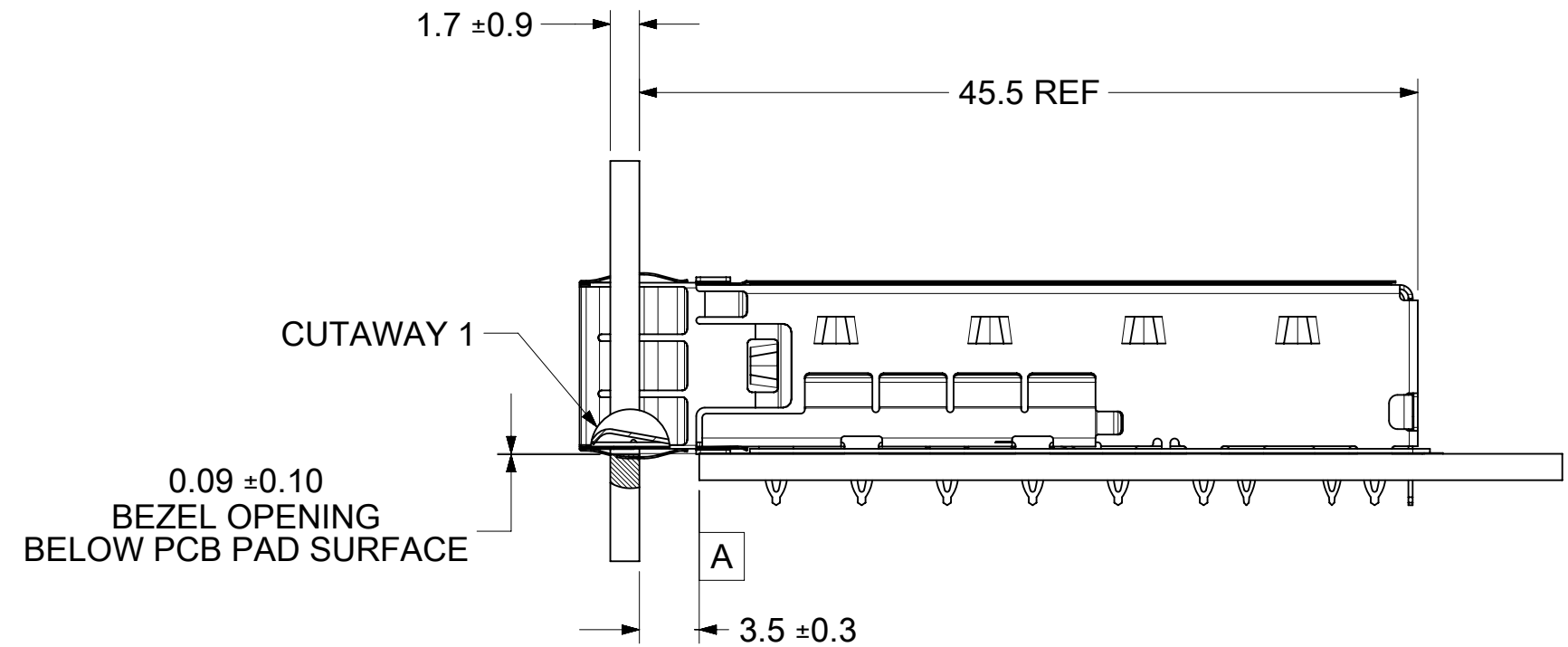
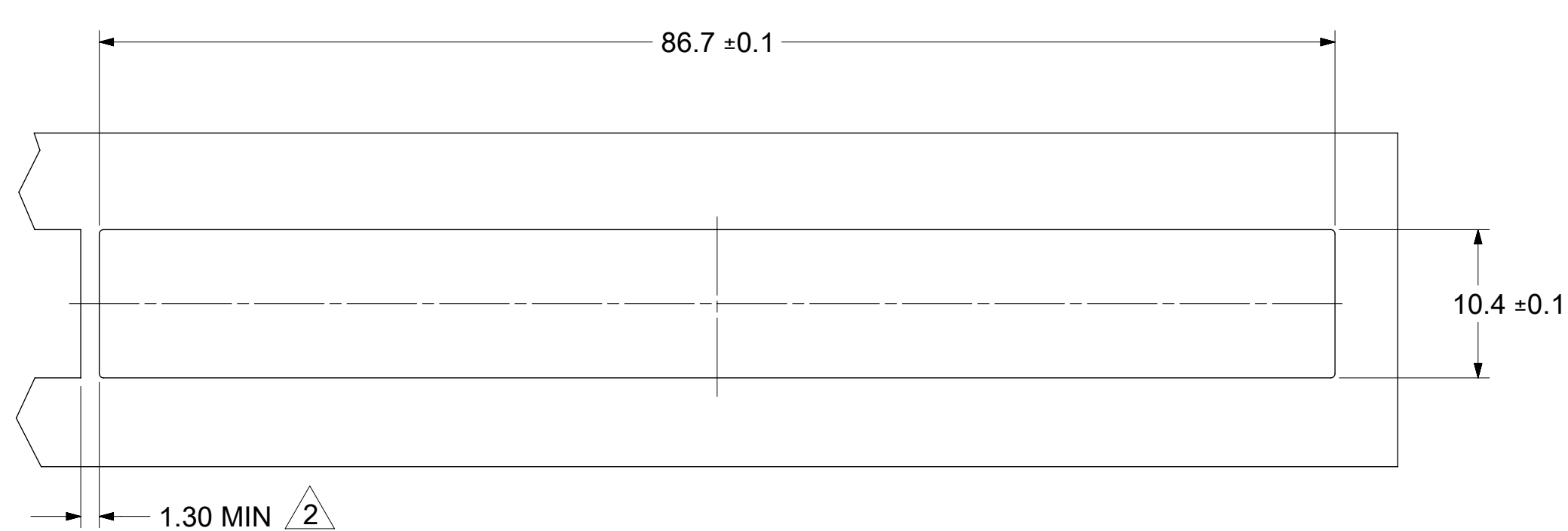
1001158621

PSD ASY A

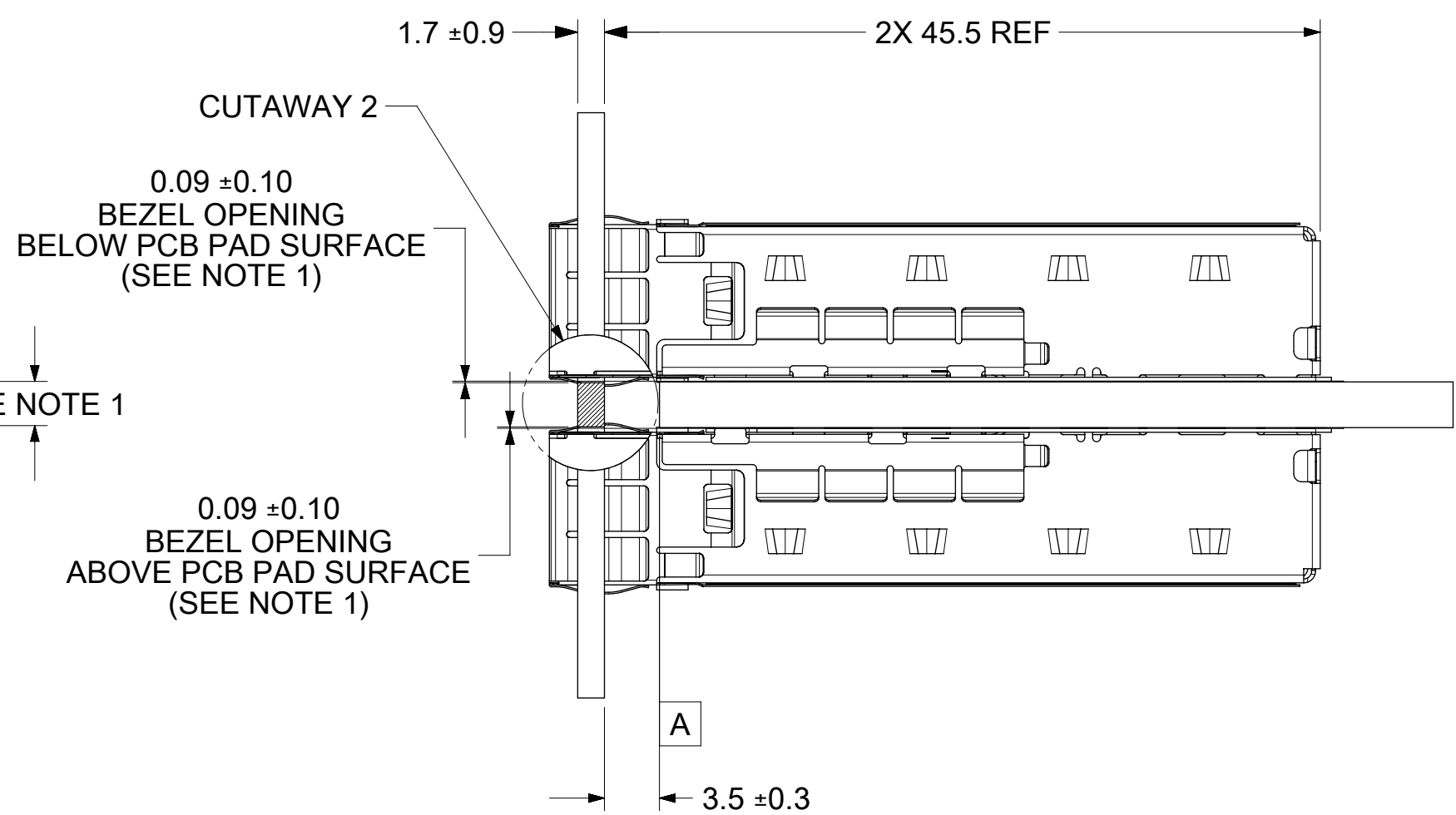
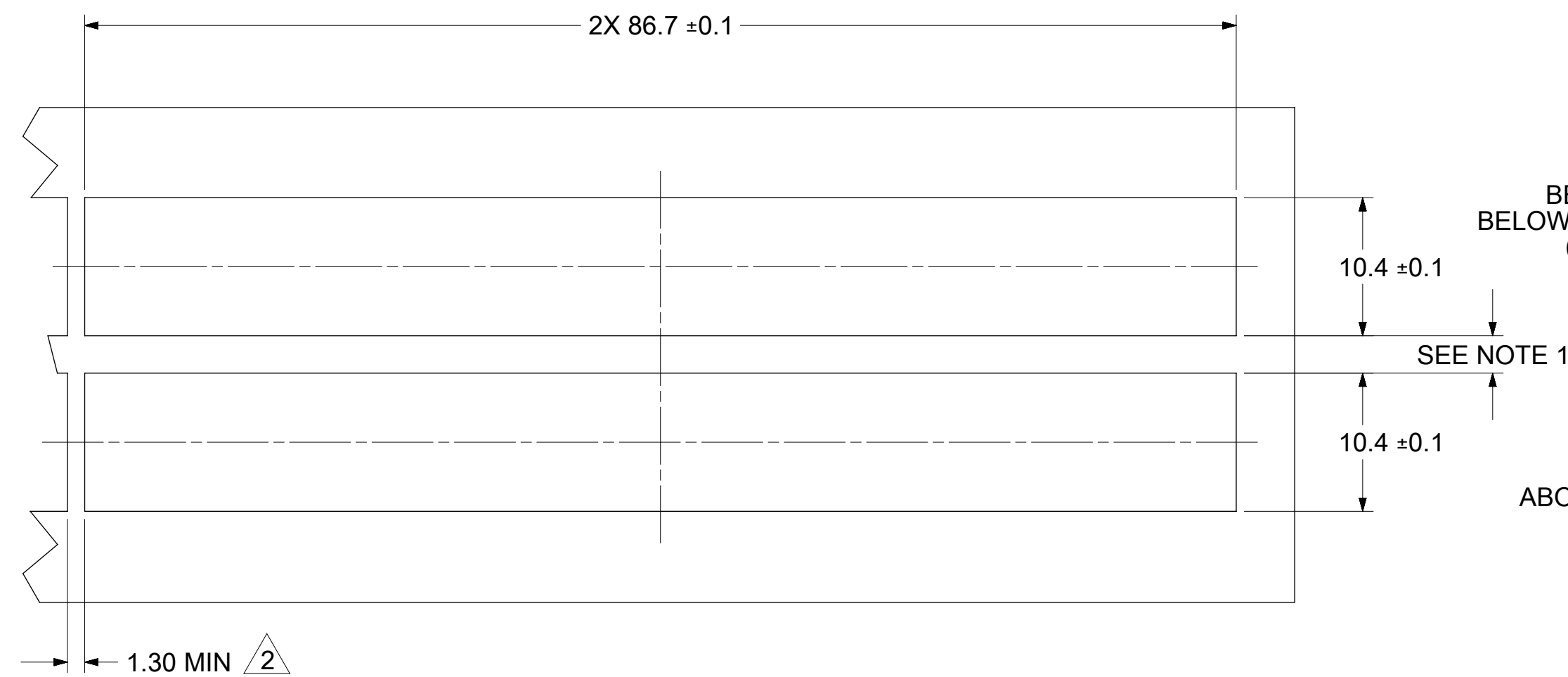
1001158621

3 OF 5

BEZEL AND BOARD POSITION DIMENSIONS FOR SINGLE SIDE MOUNTING



BEZEL AND BOARD POSITION DIMENSIONS FOR BELLY TO BELLY MOUNTING



NOTE:
 1. PCB THICKNESS VARIATION MUST BE CONSIDERED WHEN DETERMINING BEZEL OPENING LOCATION.
 2. THIS DIMENSION IS FOR REFERENCE ONLY. USER CAN MODIFY IT DEPENDS ON APPLICATION.
 (THIS DIMENSION VARIES BASED ON DISTANCE OF "HOLE OF ADJACENT CAGE" ON PCB LAYOUT)

FUNCTIONAL SYMBOLS	THIS DRAWING CONTAINS INFORMATION THAT IS PROPRIETARY TO MOLEX ELECTRONIC TECHNOLOGIES, LLC AND SHOULD NOT BE USED WITHOUT WRITTEN PERMISSION		CURRENT REV DESC: SEE REVISION TABLE		molex
	DIMENSION UNITS	SCALE			
$\frac{F}{A} = 0$	mm	2.5:1			ZSFP+ 1X6 CAGE ASSY, COPPER FOIL ON TOP, PRESS FIT, WITH SUS EMI SPRING FINGERS
$\frac{F}{C} = 0$	GENERAL TOLERANCES (UNLESS SPECIFIED)				
$\frac{F}{P} = 0$	ANGULAR TOL ± 1.0°				PRODUCT CUSTOMER DRAWING
DIVISIONAL SYMBOLS	4 PLACES	±	EC NO: 707054	2022/04/12	
	3 PLACES	±	DRWN: PKH	2022/05/20	
	2 PLACES	± 0.15	CHK'D: TKUMARKC	2022/05/23	
	1 PLACE	± 0.25	APPR: SCHIEN		
	0 PLACES	±	INITIAL REVISION:		
	DRAFT WHERE APPLICABLE MUST REMAIN WITHIN DIMENSIONS		DRWN: PKH	2022/04/12	DOCUMENT NUMBER
	THIRD ANGLE PROJECTION		APPR: SCHIEN	2022/05/23	1001158621
	DRAWING		SERIES	MATERIAL NUMBER	CUSTOMER
	C-SIZE		100115	1001158621	
					DOC TYPE DOC PART REVISION
					PSD ASY A
					SHEET NUMBER
					4 OF 5

REV	DATE	DESCRIPTION
A	2022/05/20	INITIAL RELEASE

FUNCTIONAL SYMBOLS		THIS DRAWING CONTAINS INFORMATION THAT IS PROPRIETARY TO MOLEX ELECTRONIC TECHNOLOGIES, LLC AND SHOULD NOT BE USED WITHOUT WRITTEN PERMISSION								
$\nabla_A = 0$ $\nabla_C = 0$ $\nabla_P = 0$	DIMENSION UNITS	SCALE	CURRENT REV DESC: SEE REVISION TABLE							
	mm	1:1	EC NO: 707054 DRWN: PKH 2022/04/12 CHK'D: TKUMARKC 2022/05/20 APPR: SCHIEN 2022/05/23							
	GENERAL TOLERANCES (UNLESS SPECIFIED)									
DIVISIONAL SYMBOLS	ANGULAR TOL ± 1.0°	PRODUCT CUSTOMER DRAWING			DOCUMENT NUMBER			DOC TYPE	DOC PART	REVISION
4 PLACES ±				1001158621			PSD	ASY	A	
3 PLACES ±				INITIAL REVISION:						
2 PLACES ± 0.15				DRWN: PKH 2022/04/12						
1 PLACE ± 0.25				APPR: SCHIEN 2022/05/23						
0 PLACES ±				MATERIAL NUMBER			CUSTOMER		SHEET NUMBER	
DRAFT WHERE APPLICABLE MUST REMAIN WITHIN DIMENSIONS	THIRD ANGLE PROJECTION	DRAWING	SERIES	100115		1001158621	5 OF 5			

ZSFP+ 1X6 CAGE ASSY, COPPER FOIL ON TOP, PRESS FIT, WITH SUS EMI SPRING FINGERS