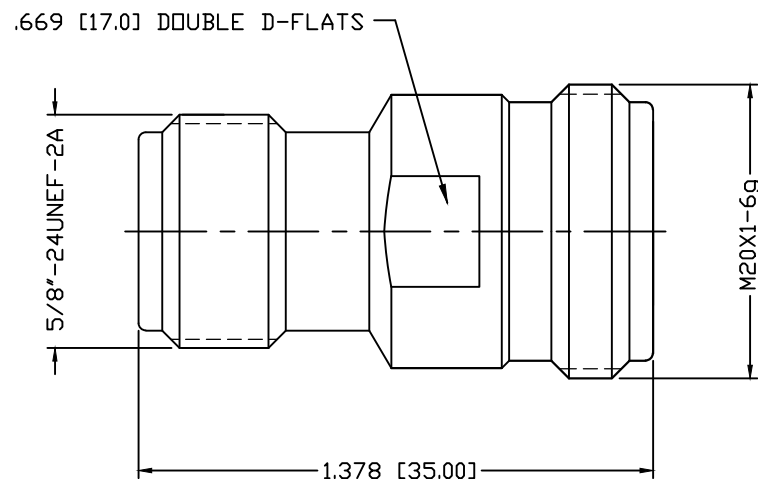


PART NO.

RFN-1047-4

REV	DESCRIPTION	DWN	DATE	APPROVED
B	UPDATED SPECS	CZS	03/09/17	JDMc

**SPECIFICATIONS:**

IMPEDANCE: 50 Ohms
 FREQUENCY RANGE: 0–7.5 GHz
 MAX. PIM: <–160dBc (1900 MHz)
 VSWR: 0 TO 3 GHz <1.10:1
 VSWR: 3 TO 7.5 GHz <1.25:1
 INSERTION LOSS: 0.05 dB MAX. @ 3.0 GHz
 INSULATION RESISTANCE: 5K MOhms
 WORKING VOLTAGE: 1200 vrms MAX.
 MATING CYCLES: 500
 TEMPERATURE RANGE: –55°C TO 165°C

#	DESCRIPTION	QTY	MATERIAL	FINISH
3	CONTACT	1	PHOS. BRONZE	SILVER
2	INSULATOR	1	PTFE	---
1	BODY	1	BRASS	WHITE BRONZE

CUSTOMER OUTLINE DRAWING	
ALL DIMENSIONS ARE REFERENCE ONLY	
UNLESS OTHERWISE SPECIFIED: DIMENSIONS ARE IN INCHES AND [MILLIMETERS]	
DRAWN C. ZUNIGA	03/09/17
CHECKED	
ORJ DRAWN C. ZUNIGA	03/18/14

**RoHS
COMPLIANT**

PROPRIETARY AND CONFIDENTIAL
 THIS DRAWING CONTAINS
 INFORMATION PROPRIETARY TO
 RF INDUSTRIES. ANY
 UNAUTHORIZED USE OF THIS
 DRAWING IS EXPRESSLY
 PROHIBITED WITHOUT WRITTEN
 PERMISSION FROM RF
 INDUSTRIES. ANY VIOLATION IS
 PUNISHABLE UNDER U.S.
 COPYRIGHT LAWS.

RFconnectors
 DIVISION OF RF INDUSTRIES, LTD.

7610 MIRAMAR RD.
 SAN DIEGO, CA 92126
 (858) 549-6340
 (858) 549-6345 FAX

**N JACK TO
4.1/9.5 JACK ADAPTER**

SIZE	CABLE GROUP	DWG NO.	REV
A	N/A	RFN-1047-4	B
SCALE: NTS	ENGINEERING ID: 001787	SHEET 1 OF 1	