



I-7540D/I-7540DM Series Quick Start

v2.0, Oct 2021

Packing List

In addition to this guide, the package includes the following items:



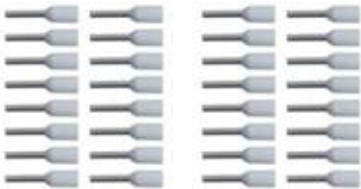
I-7540D-G / I-7540DM
/ I-7540D-UTA-G /
I-7540DM-UTA * 1



Plastic Rail * 1
(including in I-7540D-G
/ I-7540D-UTA-G)



COM Cable
(CA-0910) * 1



Wire Terminal * 32



Screw Driver * 1

Technical Support

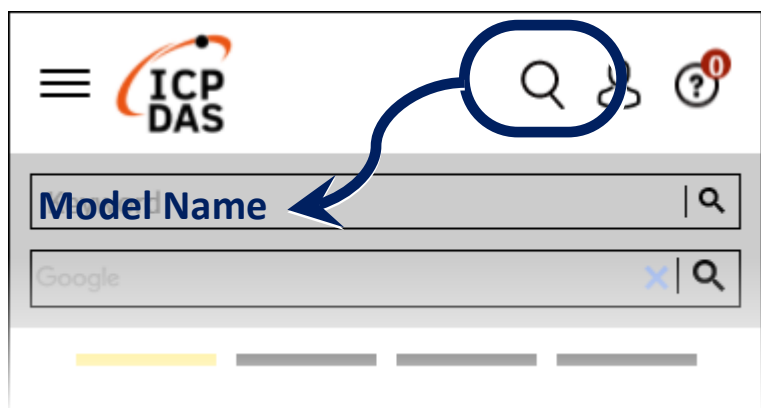
service@icpdas.com

www.icpdas.com

Resources

How to search for drivers, manuals and spec information on ICP DAS website.

- For Mobile Web



- For Desktop Web



ModelName | Q

Google

X | Q



PRODUCTS SOLUTIONS NEWS & EVENTS SUPPORT CORPORATE

1

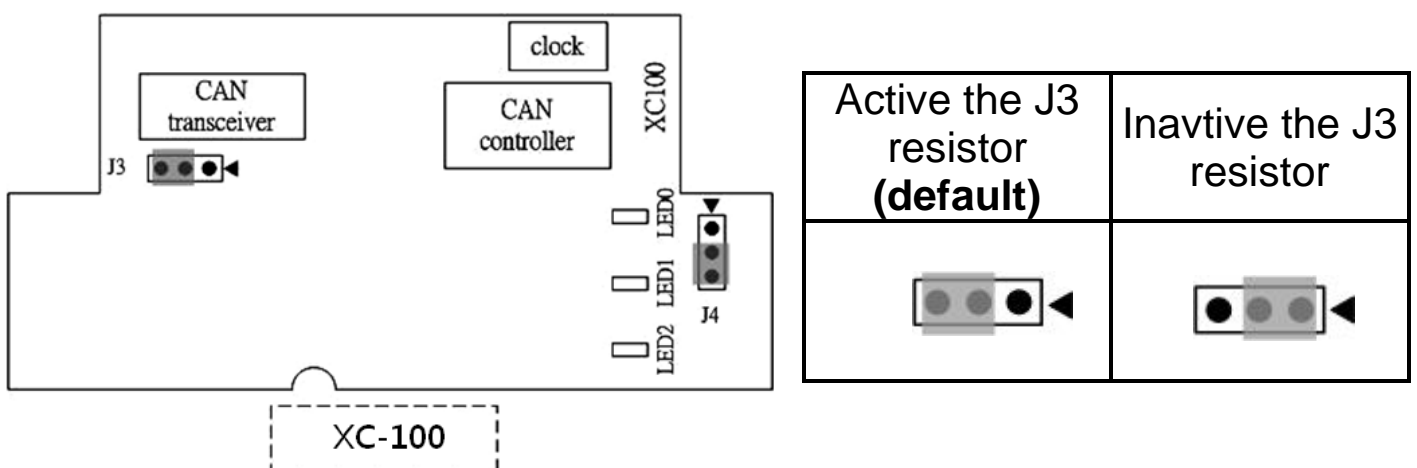
Hardware Installation

Before using I-7540D / I-7540DM series devices, some things must be done.

Step 1: Prepare one I-7540D / I-7540DM series device

Step 2: Determine if the CAN Bus terminal resistor is needed or not

Check the application structure, and determine if the terminal resistor is needed to be enabled or not. Before you continue, if you have changed the settings from default then it is necessary to open the cover of I-7540D and re-configure JP3 jumpers to enable it again, as shown in below figure. However if the I-7540D's still have their default settings then it is not necessary to open and reset them because the default configuration is enabled.



Step 3: Connect the CAN port, ethernet and power line of the module

Connect the (R)Vs+ and (B)GND pins of the I-7540D module to the DC power supply (10~30VDC). And connect the Ethernet ports of the I-7540D and the PC with standard network cable respectively.

The pin assignment of the module are as follows.

COM Connector Pin Assignment		
Pin	Name	Description
1	CTS1	CTS pin of COM1 (RS-232)
2	RTS1	RTS pin of COM1 (RS-232)
3	RXD1	RXD pin of COM1 (RS-232)
4	TXD1	TXD pin of COM1 (RS-232)
5	INIT*	Initial pin for enable/disable AUTOEXEC.BAT
6	D2+	Data+ pin of COM2 (RS-485)
7	D2-	Data- pin of COM2 (RS-485)
8	VS+	V+ of power supply (+10V to +30V DC unregulated)
9	GND	GND of power supply

CAN bus Connector Pin Assignment		
Pin	Signal	Description
1	N/A	Not Connected
2	CAN_L	CAN_L bus line (dominant low)
3	N/A	Not Connected
4	CAN_H	CAN_H bus line (dominant high)
5	N/A	Not Connected

2

Utility tool

When users want to change the CAN/COM and Ethernet parameters of I-7540D, Utility tool may be needed.

Step 1: Install the I-7540D Utility tool

The software is located at:

<https://www.icpdas.com/en/download/show.php?num=919&model=I-7540D-G>

Step 2: Setting up I-7540D module

The default network setting of the I-7540D is shown below.

IP: 192.168.255.1

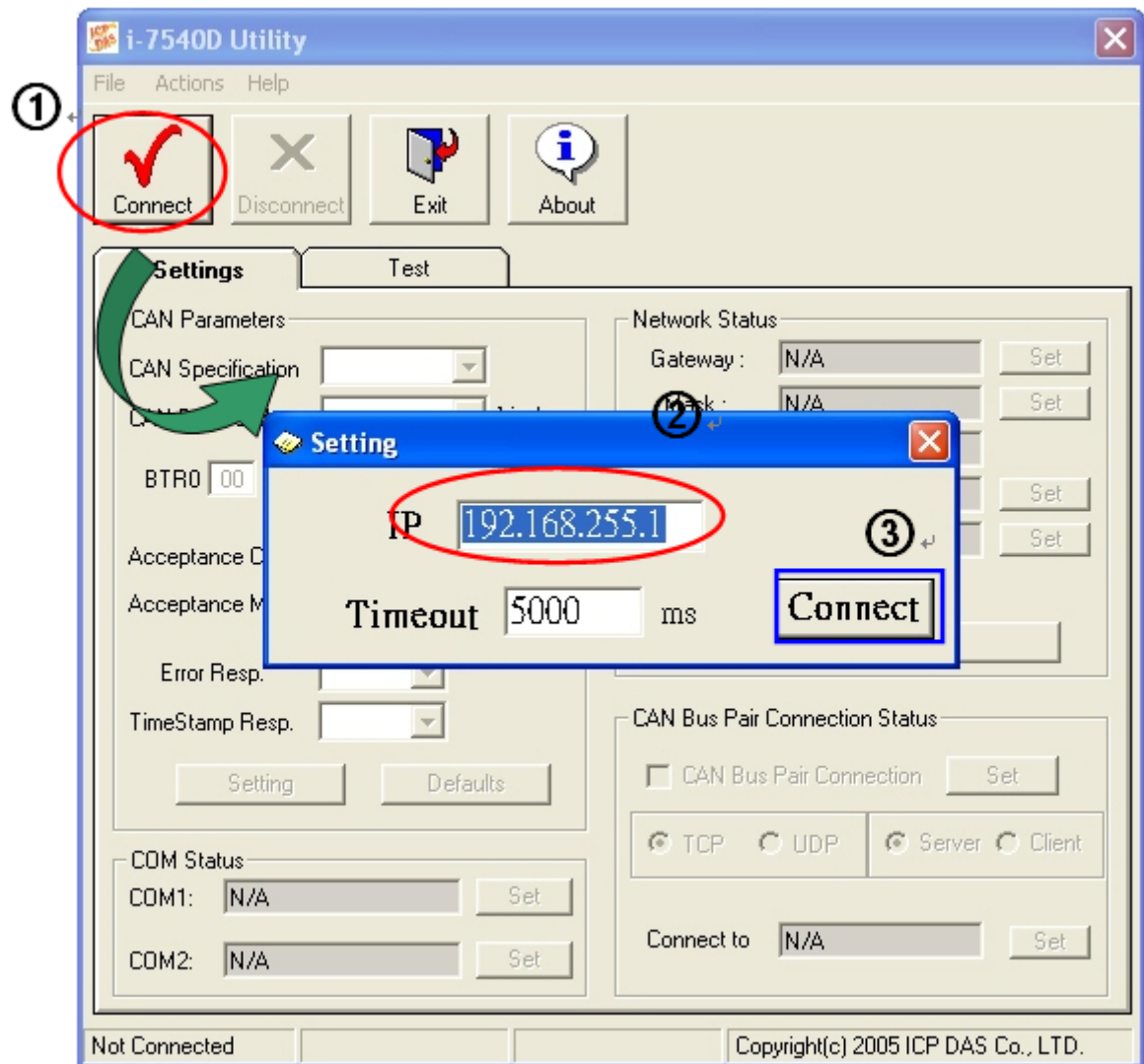
Mask: 255.255.0.0

Gateway: 192.168.0.1

Before communicate with the I-7540D, you must change the PC's local area network same as the I-7540D. Then power on the module and execute the I-7532-FD Utility tool.

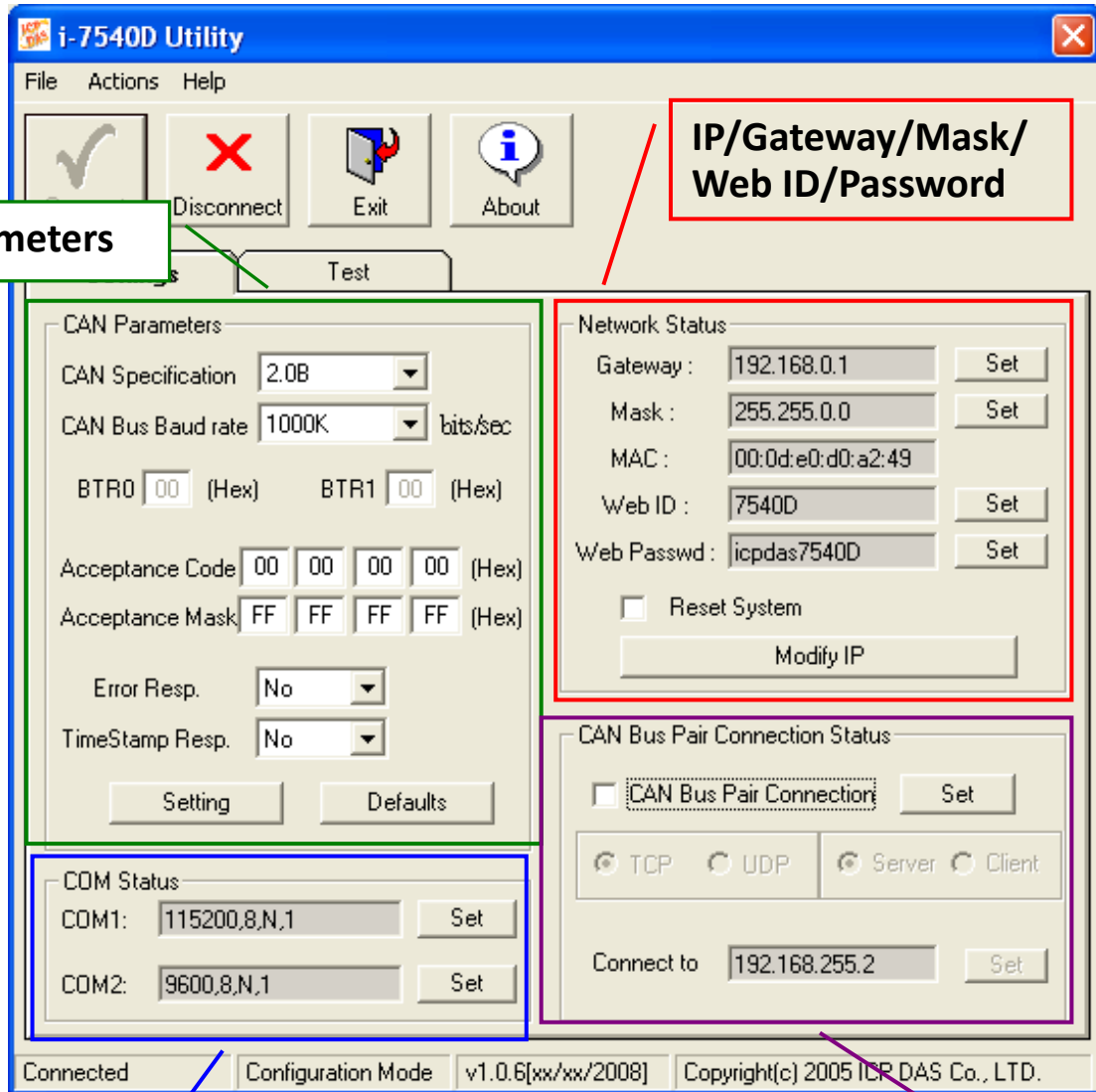
Step 3: Connect to I-7540D module

Click the “Connect” button to connect with the I-7540D module.



Step 4: Configure the module parameters

After connecting with the I-7540D, you can modify the CAN parameters and network status of the module.



CAN Parameters

IP/Gateway/Mask/
Web ID/Password

RS-232/RS485

CAN Pair
Status

Detail information about how to configure module parameters, please refer to section "3. Software Utility" of I-7540D user's manual.