

POWR-GARD® Blocks & Holders

LF SERIES CLASS T FUSE BLOCKS

300 V • 600 V



Description

The Littelfuse Class T fuse blocks offer many advantages such as space saving design, mounting flexibility for easier installation, snap-to-release DIN rail mounts and available covers.

Features/Benefits

- Space-saving design
- Accommodates a wide range of existing mounting configurations
- One hand release from DIN rail for 30–60 A fuses
- Reinforced fuse clips are standard
- Covers available for most amperages to enhance safety
- Both hex and slot set screw options available on 60 A box lugs

Ordering Information (Class T 300 V)

AMPERE RATING	POLE	ORDERING NUMBER					TORQUE	WIRE RANGE	WIRE TYPE	BASE TEMP RATING	DIN RAIL MOUNT	COVER ORDERING NUMBER*	
		BASE ORDERING NUMBER	TERMINAL SUFFIX										
			BOX LUG HEX	BOX LUG SLOT	PRESSURE PLATE	SCREW							
30	1	LFT300301	—	C	—	—	5.6 N-m (50 in-lbs)	2–4 AWG	CU-AL	Solid/Stranded	125 °C	•	LFT30030FBC
	2	LFT300302					2.8 N-m (25 in-lbs)	6–14 AWG					
	3	LFT300303					5.6 N-m (50 in-lbs)	2–4 AWG					
60	1	LFT300601	C-HX	C	—	—	5.6 N-m (50 in-lbs)	2–4 AWG	CU-AL	Solid/Stranded	125 °C	•	LFT30060FBC
	2	LFT300602					2.8 N-m (25 in-lbs)	6–14 AWG					
	3	LFT300603					13.6 N-m (120 in-lbs)	2/0–6 AWG					
100	1	LFT301001	CS	—	—	—	4.5 N-m (40 in-lbs)	8 AWG	CU-AL	Solid/Stranded	130 °C	—	LFT30100FBC
	3	LFT301003					4.0 N-m (35 in-lbs)	10–14 AWG					
	1	LFT302001					31.1 N-m (275 in-lbs)	250 kcmil-6					
200	3	LFT302003	CS	—	—	—	31.1 N-m (275 in-lbs)	250 kcmil-6	CU-AL	Solid/Stranded	130 °C	—	—
	1	LFT304001	CS	—	—	—	(2) 31.1 N-m (275 in-lbs)	250 kcmil-6	CU-AL	Solid/Stranded	130 °C	—	—
400	3	LFT304003	CS	—	—	—	(2) 31.1 N-m (275 in-lbs)	250 kcmil-6	CU-AL	Solid/Stranded	130 °C	—	—
	1	LFT306001	CS	—	—	—	(2) 42.4 N-m (375 in-lbs)	500 kcmil-6	CU-AL	Solid/Stranded	130 °C	—	—
600	3	LFT306003	CS	—	—	—	(2) 42.4 N-m (375 in-lbs)	500 kcmil-6	CU-AL	Solid/Stranded	130 °C	—	—

Specifications

Voltage Ratings	300 V/600 V
Ampere Ratings	0–600 A
Leakage Current	<0.6 mA at 600 V
Withstand Rating	200 kA RMS SYM
Materials:	
Base	Thermoplastic
Fuse Clip	Tin plated copper alloy
Box Lug	Aluminum
Fuse Studs	Zinc plated steel
Pressure Plate	Zinc plated steel
Screw	Zinc plated steel
Flammability Rating	UL 94 V-0
Approvals	UL Listed (File: E14721) CSA Certified (File: LR7316)
Environmental	RoHS Compliant, Lead (Pb) Free

Recommended Fuses

- 300 V JLLN
- 600 V JLLS

Web Resources

Sample requests, downloadable CAD drawings and other technical information:

- Littelfuse.com/lft
- Littelfuse.com/fuseblocks

POWR-GARD® Blocks & Holders

LF SERIES CLASS T FUSE BLOCKS

Ordering Information (Class T 600 V)

AMPERE RATING	POLES	ORDERING NUMBER					TORQUE	WIRE RANGE	WIRE TYPE	BASE TEMP RATING	DIN RAIL MOUNT	COVER ORDERING NUMBER*
		BASE ORDERING NUMBER	TERMINAL SUFFIX									
			BOX LUG HEX	BOX LUG SLOT	PRESSURE PLATE	SCREW						
30	1	LFT600301	—	C	P	S	5.6 N-m (50 in-lbs)	2-4 AWG	* see note	125 °C	•	LFT60030FBC
	2	LFT600302					2.8 N-m (25 in-lbs)	6-14 AWG				
	3	LFT600303										
60	1	LFT600601	C-HX	C	—	—	5.6 N-m (50 in-lbs)	2-4 AWG	CU-AL Solid/Stranded	125 °C	•	LFT60060FBC
	2	LFT600602					2.8 N-m (25 in-lbs)	6-14 AWG				
	3	LFT600603										
100	1	LFT601001	CS	—	—	—	13.6 N-m (120 in-lbs)	2/0-6 AWG	CU-AL Solid/Stranded	130 °C	—	LT60100FBC
	3	LFT601003					4.5 N-m (40 in-lbs)	8 AWG				
							4.0 N-m (35 in-lbs)	10-14 AWG				
200	1	LFT602001	CS	—	—	—	31.1 N-m (275 in-lbs)	250 kcmil-6	CU-AL Solid/Stranded	130 °C	—	LT60200FBC
	3	LFT602003										
400	1	LFT604001	CS	—	—	—	(2) 31.1 N-m (275 in-lbs)	250 kcmil-6	CU-AL Solid/Stranded	130 °C	—	LT60400FBC
	3	LFT604003										
600	1	LFT606001	CS	—	—	—	(2) 42.4 N-m (375 in-lbs)	500 kcmil-6	CU-AL Solid/Stranded	130 °C	—	LT60600FBC
	3	LFT606003										

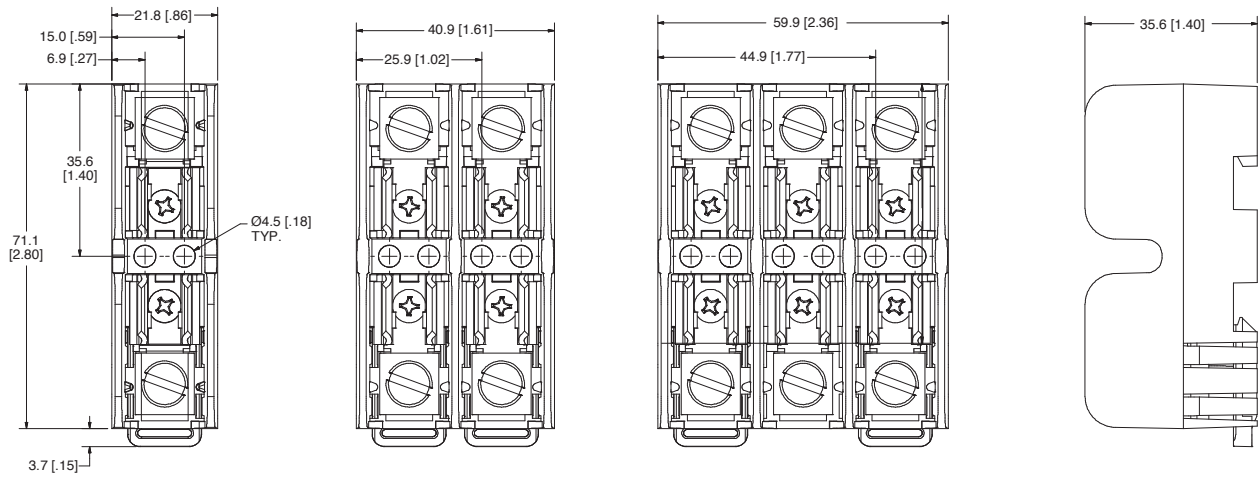
* Covers sold individually. One cover needed for each pole.
 † Wire type for pressure plate and screw terminal is CU only

POWR-GARD® Blocks & Holders

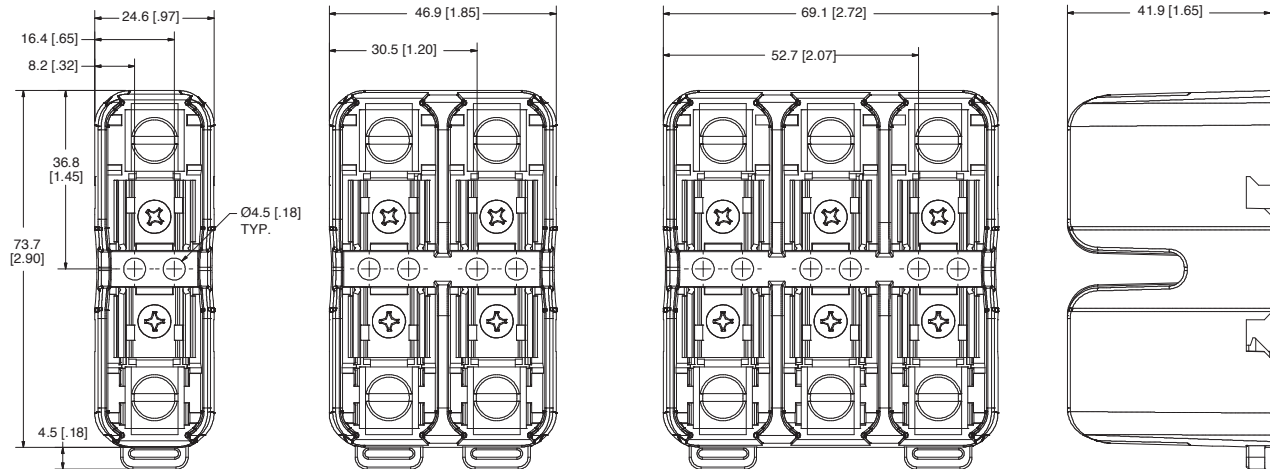
LF SERIES CLASS T FUSE BLOCKS

Dimensions mm (inches)

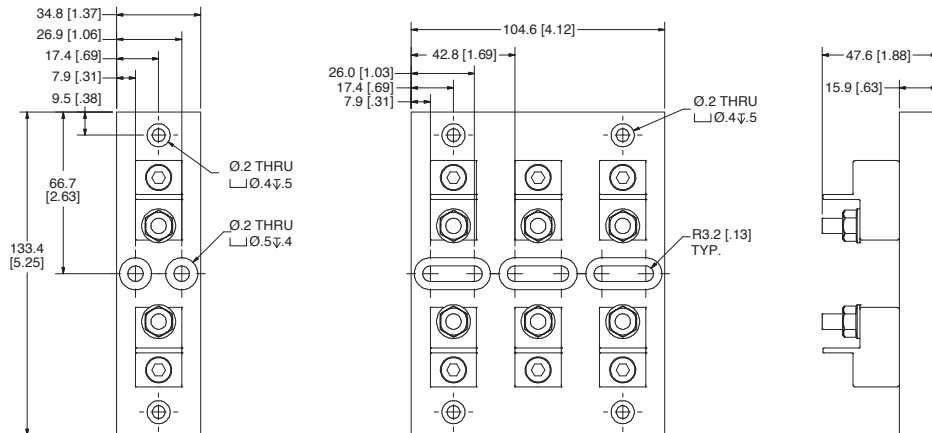
300 V 30 A



300 V 60 A



300 V 100 A

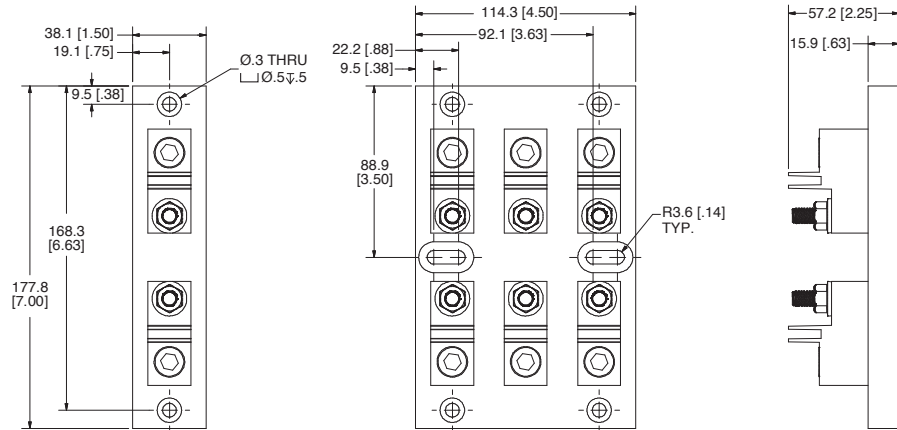


POWR-GARD® Blocks & Holders

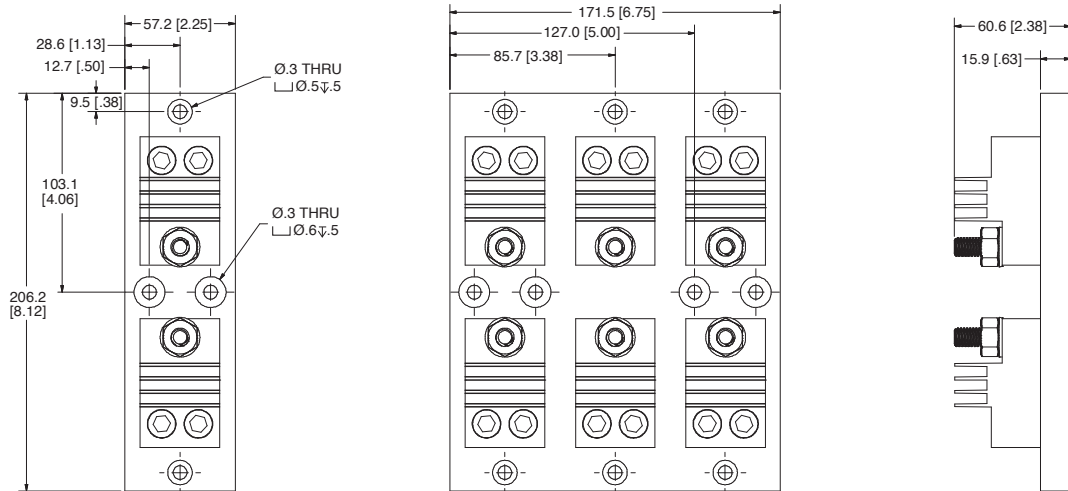
LF SERIES CLASS T FUSE BLOCKS

Dimensions mm (inches)

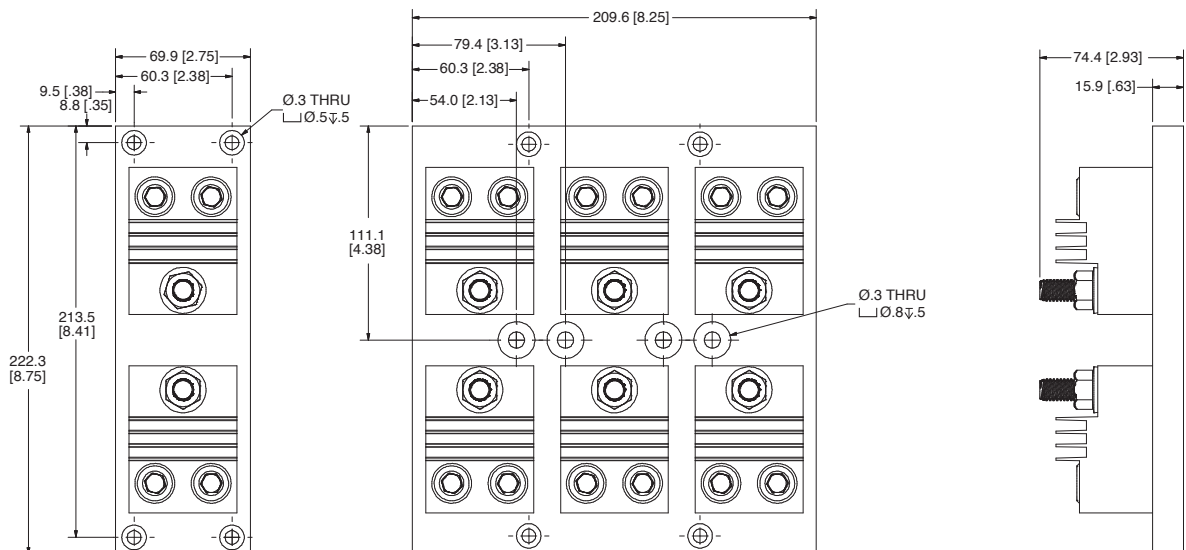
300 V 200 A



300 V 400 A



300 V 600 A

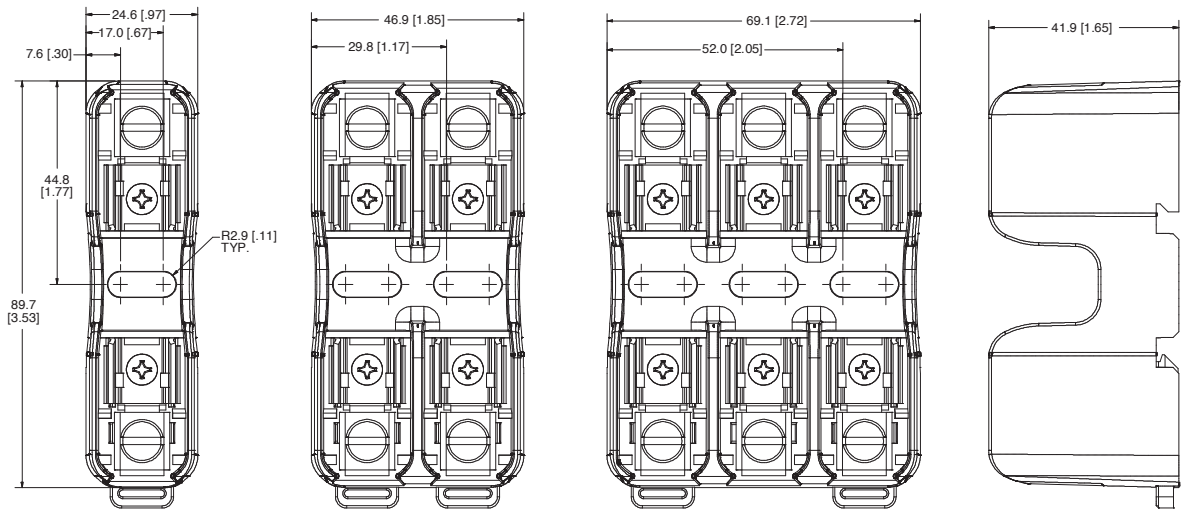


POWR-GARD® Blocks & Holders

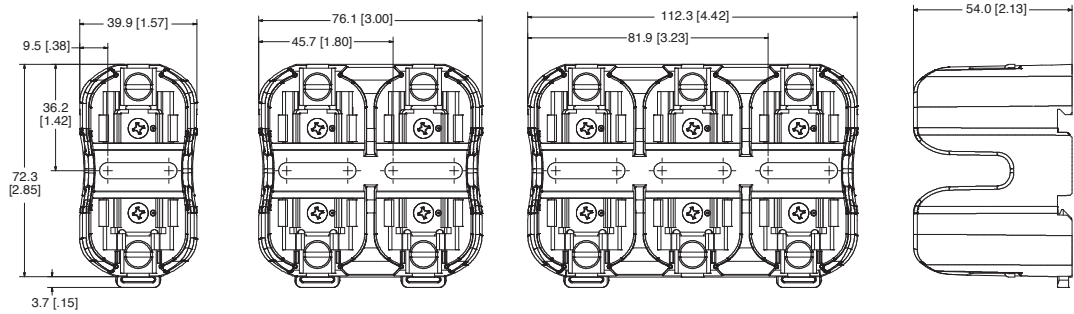
LF SERIES CLASS T FUSE BLOCKS

Dimensions mm (inches)

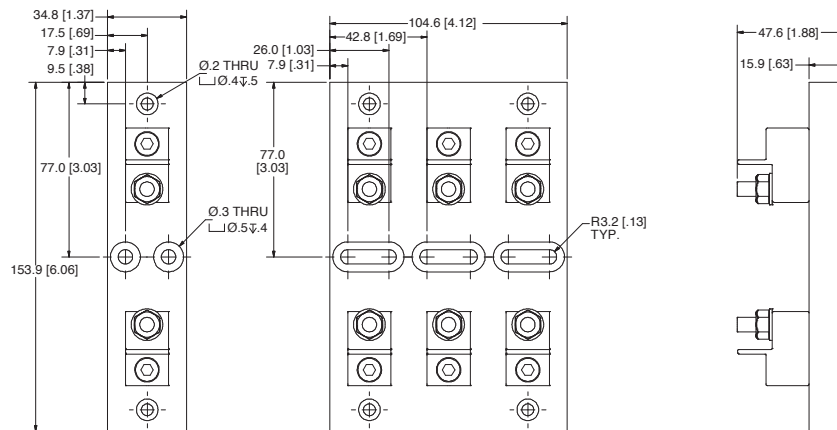
600 V 30 A



600 V 60 A



600 V 100 A

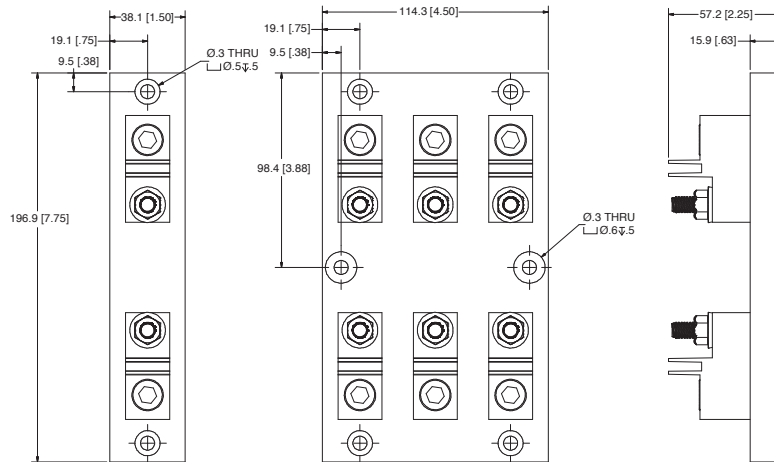


POWR-GARD® Blocks & Holders

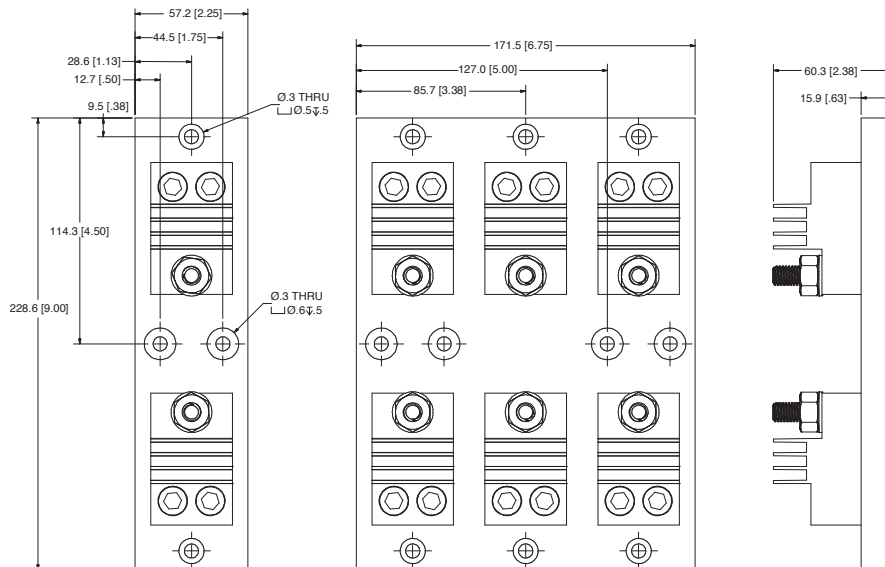
LF SERIES CLASS T FUSE BLOCKS

Dimensions mm (inches)

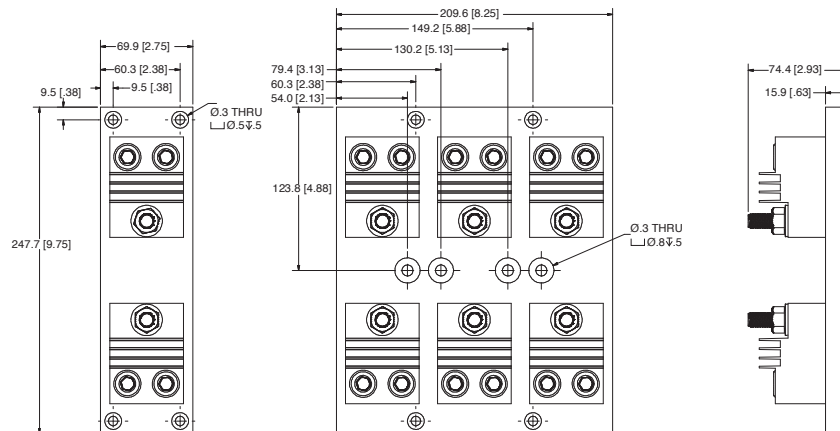
600 V 200 A



600 V 400 A



600 V 600 A



Disclaimer Notice - Information furnished is believed to be accurate and reliable. However, users should independently evaluate the suitability of and test each product selected for their own applications. Littelfuse products are not designed for, and may not be used in, all applications. **Read complete Disclaimer Notice at www.littelfuse.com/product-disclaimer.**